

**Original Instruction Manual**  
**Instructions d'emploi d'origine**  
**Originalbetriebsanleitung**  
**Manuale di istruzioni originale**  
**Originele gebruiksaanwijzing**  
**Instrucciones de manejo originales**  
**Instruções de serviço original**  
**Original brugsanvisning**  
**Πρωτότυπο εγχειρίδιο οδηγιών**  
**Original Kullanım Kılavuzu**

**WARNING!**

Read and understand this Manual. Always follow safety precautions in the Manual.  
Improper use can cause serious injury!

**AVERTISSEMENT !**

Lisez et comprenez ce manuel. Respectez toujours les précautions de sécurité figurant dans le manuel.  
Une utilisation incorrecte peut provoquer des blessures graves !

**WARNING!**

Lesen und studieren Sie diese Betriebsanleitung sorgfältig. Befolgen Sie stets die Sicherheitsanweisungen dieser Betriebsanleitung.  
Bei unsachgemäßem Handhabung kann es zu schweren Verletzungen kommen!

**AVVERTENZA!**

Leggere e comprendere il presente manuale. Seguire sempre le precauzioni di sicurezza fornite nel manuale.  
L'uso improprio può causare infortuni gravi.

**WAARSCHUWING!**

Lees en begrijp deze gebruiksaanwijzing. Zorg altijd dat u de veiligheidsvoorzorgsmaatregelen in de gebruiksaanwijzing volgt.  
Verkeerd gebruik kan leiden tot ernstig persoonlijk letsel.

**¡ADVERTENCIA!**

Lea y comprenda este manual. Siga siempre las precauciones de seguridad del manual.  
¡Un uso incorrecto puede provocar lesiones graves!

**AVISO!**

Leia e compreenda este manual. Siga sempre as precauções de segurança no manual.  
A utilização incorrecta pode causar ferimentos graves!

**ADVARSEL!**

Læs og forstå denne vejledning. Overhold altid sikkerhedsforholdsreglerne i vejledningen.  
Forkert anvendelse kan medføre alvorlig tilskadekomst!

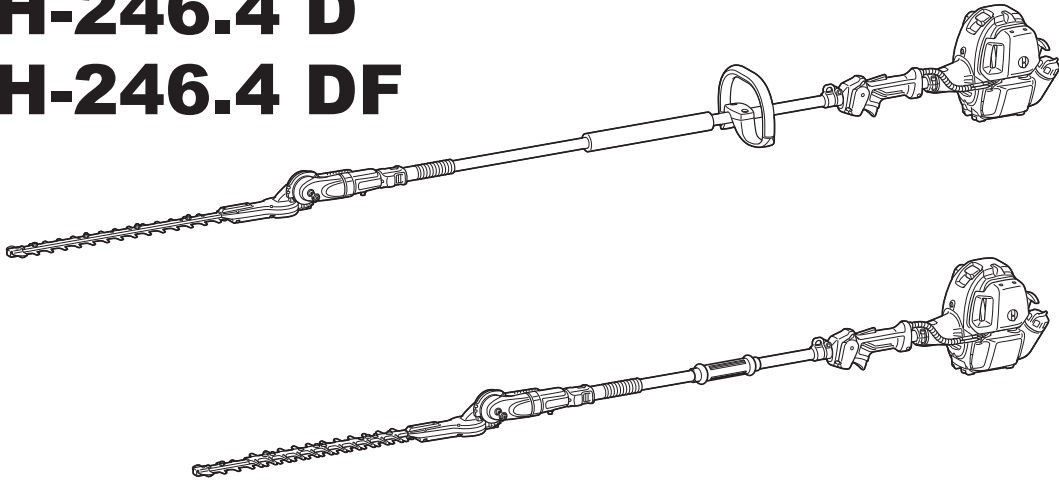
**ΠΡΟΕΙΔΟΠΟΙΗΣΗ!**

Διαβάστε και κατανοήστε αυτό το εγχειρίδιο. Πάντοτε να ακολουθείτε τις προφυλάξεις ασφαλείας του εγχειριδίου.  
Η ακατάλληλη χρήση μπορεί να προκαλέσει σοβαρό τραυματισμό!

**UYARI!**

Bu Kılavuzu dikkatlice okuyun ve anladığınızdan emin olun. Bu Kılavuzda verilen güvenli uyarılarını daima alın.  
Yanlış kullanım ciddi yaralanmalara neden olabilir!

**MH-246.4 D**  
**MH-246.4 DF**



**DOLMAR**



Thank you very much for choosing the DOLMAR pole hedge trimmer. We are pleased to offer you a product that is the result of an extensive development program and many years of knowledge and experience.

To safely obtain the best possible results from your DOLMAR pole hedge trimmer, please read this manual thoroughly before using the machine, and follow all instructions given herein to assure proper operation of the DOLMAR pole hedge trimmer.



**Table of Contents**

**Page**

Symbols.....2  
 Safety instructions .....3  
 Technical data.....8  
 Designation of parts.....9  
 Assembly .....10  
 Shoulder strap (optional accessory).....10  
 Fuel/refuelling .....11  
 Precautions before starting the engine.....13  
 Operating the pole hedge trimmer.....16  
 Maintenance .....18  
 Storage .....23  
 Troubleshooting.....25

**SYMBOLS**

Please note the following symbols when reading this instruction manual.

	WARNING/DANGER		Beware of pinching
	Before usage, carefully read and fully understand the instructions in this manual		Beware of electrical lines, risk of electrical shock
	PROHIBITION		Fuel (Gasoline)
	No smoking		Engine manual-start
	No naked flame		Emergency stop
	Wear protective shoes		First aid
	Wear protective gloves		ON/START
	Keep working area clear of persons and pets		OFF/STOP
	15 m (50 ft)		
	Wear a protective helmet and eye and ear protection		

# SAFETY INSTRUCTIONS

## General Instructions

- Before usage, carefully read this manual and thoroughly familiarize yourself with how to correctly handle the pole hedge trimmer. **THIS EQUIPMENT CAN CAUSE SERIOUS INJURY IF USED IMPROPERLY!**
- Always provide detailed instructions on how to correctly use the pole hedge trimmer when lending the equipment to another person. Make sure that the instruction manual is handed over together with the pole hedge trimmer.
- First-time users should ask their dealer for basic instructions on the correct handling of the pole hedge trimmer.
- Store this manual in a location where it is easily accessible for quick reference.
- Do not allow persons under the age of 18 to operate the pole hedge trimmer. Individuals over 16 years old, however, may use the pole hedge trimmer for training purposes if under the constant supervision of an adult familiar with the operation of the pole hedge trimmer.
- Always use the pole hedge trimmer with the utmost care and attention.
- Never attempt to modify the equipment.
- Follow the regulations about handling of pole hedge trimmers in your country.
- Serious injury may result if the pole hedge trimmer is used in the following circumstances. Do not use the pole hedge trimmer:
  - When feeling tired or ill.
  - After consumption of alcohol and/or medication.
  - At night or in poor lighting conditions.
  - During pregnancy.

## Intended use

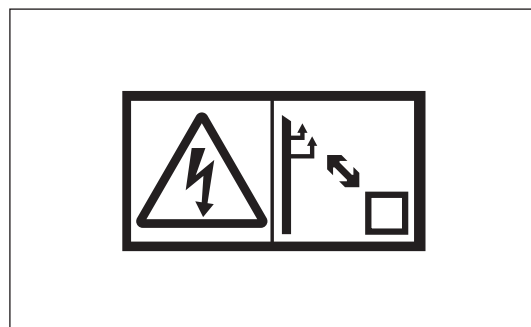
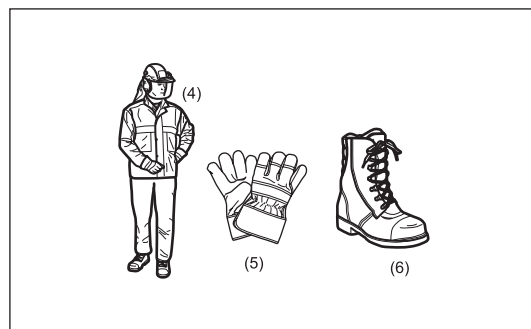
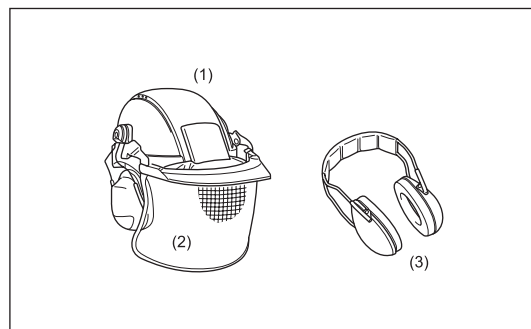
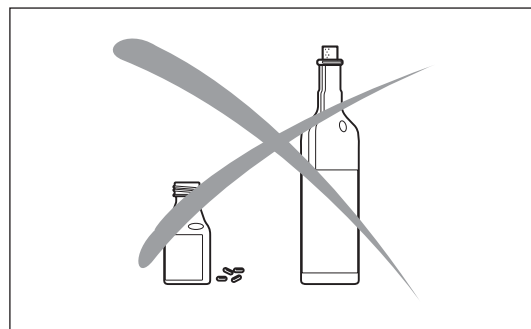
- This pole hedge trimmer has been designed for the sole purpose of trimming hedges and bushes. Do not use the pole hedge trimmer for any other purposes.

## Personal protective equipment

- Clothes worn should be functional and tight-fitting without restricting movement. Do not wear clothing or jewelry that could get entangled in underbrush or in the machine.
- For adequate protection against injuries to head, eyes, feet, hands, as well as hearing impairment, the following protective equipment and clothing must be used when working with the pole hedge trimmer.
- To prevent injury to the head or the eyes, always wear a protective helmet (1) with goggles or a visor (2).
- To avoid hearing impairment, wear adequate ear defenders (3) at all times.
- Use of a well-fitting work overalls (4) is strongly recommended.
- Always wear rugged, leather working gloves (5) when operating the pole hedge trimmer.
- When using the pole hedge trimmer, always wear sturdy shoes (6) with a non-slip sole. Special work shoes ensure good footing and protect against injury.
- When touching blades or blade unit, wear protective gloves. Blades can cut bare hands severely.

## Work area safety

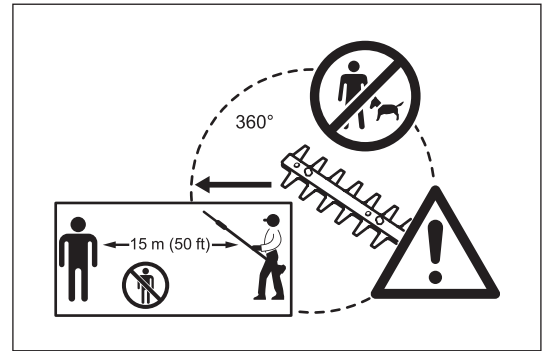
- **⚠ DANGER:** Keep the pole hedge trimmer away from electric lines and communication cables. Touching or approaching high-voltage lines with pole hedge trimmer can result in death or serious injury. Watch power lines and electrical fences around the work area before starting operation.
- Start and operate the engine only outdoors in a well ventilated area. Operation in a confined or poorly ventilated area can result in death due to suffocation or carbon monoxide poisoning.
- During operation, keep bystanders, in particular children, or animals at least 15 m away from the pole hedge trimmer. Stop the engine as soon as someone approaches.
- Before operation, examine the work area for wire fences, stones, or other solid objects. They can damage the blades.
- **⚠ WARNING:** Use of this product can create dust containing chemicals which may cause respiratory or other illnesses. Some examples of these chemicals are compounds found in pesticides, insecticides, fertilizers and herbicides. Your risk from these exposures varies, depending on how often you do this type of work. To reduce your exposure to these chemicals: work in a well ventilated area, and work with approved safety equipment, such as those dust masks that are specially designed to filter out microscopic particles.



## Starting the pole hedge trimmer

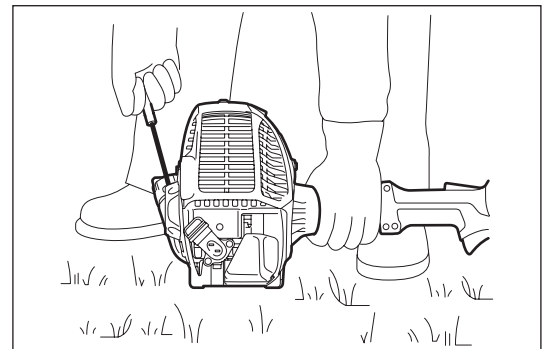
- Before assembling or adjusting the equipment, switch off the engine and remove the spark plug cap.
- Before starting the pole hedge trimmer, always make sure that the machine is in safe operational condition.
- Never attempt to start the engine if the equipment is damaged.
- Check the operation of the throttle lever safety mechanism. The lock-off lever should have a smooth and easy action. Make sure that the lock-off lever functions properly. Check that the handles are clean and dry and test the STOP switch to ensure that it is functioning properly.

Always start the pole hedge trimmer in accordance with the directions provided in this instruction manual.



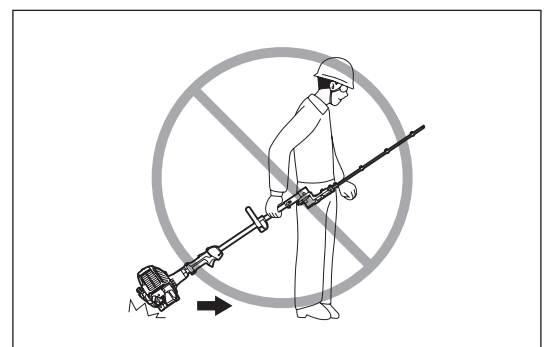
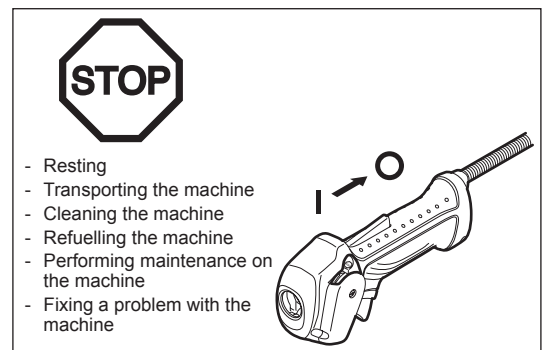
## Follow the instructions below to start the pole hedge trimmer

- Start the pole hedge trimmer only after the machine has been completely assembled and all accessory parts have been attached.
- When starting the engine, keep the blades clear of your body and other object, including the ground. The blades may move when starting and may cause serious injury or damage to the blades and/or property.
- Before starting the engine, make sure that cutter blades are not obstructed by any foreign objects such as stones, branches, etc.
- Stop the engine immediately if engine problems occur.
- When pulling the starter knob, hold the equipment firmly against the ground by your left hand. Never step on the drive shaft.
- If the blades move at idle, stop the engine and adjust the idle speed down.
- When operating the pole hedge trimmer, always maintain a firm grip on both handles. Wrap your fingers tightly around each handle, cradling the handle between thumb and forefinger. To keep the pole hedge trimmer under control at all times, avoid changing your grip during operation. Make sure that the control handles are in good condition and free of moisture, mud, oil or grease.



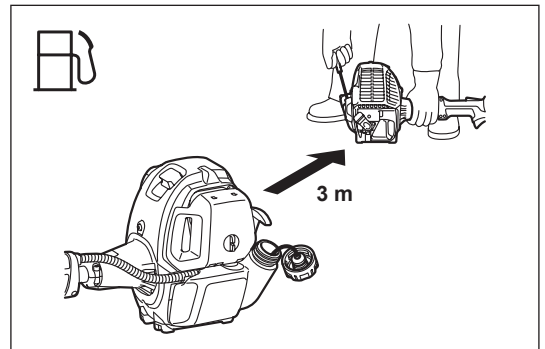
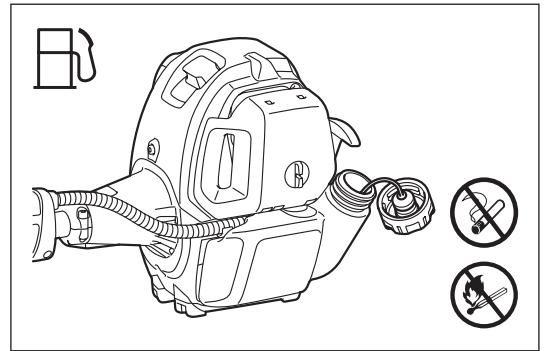
## Always ensure secure and well-balanced footing

- Always stop the engine immediately and discontinue operation if engine trouble occurs or if the machine starts making unusual noise.
- Exhaust fumes are poisonous. Never operate the machine in an enclosed room or tunnel without ventilation (risk of suffocation and gas poisoning). Note that carbon monoxide is an odorless gas. Always make sure that areas where the engine is operated are adequately ventilated.
- Stop the engine when resting, or when the pole hedge trimmer is left unattended. Place the machine in a safe location and make sure that no combustible material is nearby.
- Never place a hot pole hedge trimmer onto dry grass or combustible material.
- To reduce the risk of fire, keep the engine and muffler free of debris, leaves or excessive lubricant.
- Never operate the engine if the muffler is malfunctioning.
- Turn off the engine before transportation.
- Always stop the engine when:
  - Resting
  - Transporting the machine
  - Cleaning the machine
  - Refuelling the machine
  - Performing maintenance on the machine
  - Fixing a problem with the machine
- When carrying the equipment, carry it in a horizontal position by holding the shaft. Keep the hot muffler away from your body.
- When transporting the machine in a vehicle, always securely attach the pole hedge trimmer to avoid leakage of residual fuel.
- Always empty the fuel tank before transporting the pole hedge trimmer in a vehicle.
- When unloading the machine from a vehicle, take extra care not to drop the pole hedge trimmer to the ground, as this may seriously damage the fuel tank.
- Except in an emergency, never drop the pole hedge trimmer as this may seriously damage the machine.
- When transporting the pole hedge trimmer, always lift the machine completely off of the ground. Never drag the engine across the ground as this may damage the fuel tank and possibly cause a fire.
- Always use the cutter cover provided to protect and secure the cutting section of the pole hedge trimmer during transportation and storage.
- If the equipment gets heavy impact or fall, check the condition before continuing work. Check the fuel system for fuel leakage and the controls and safety devices for malfunction. If there is any damage or doubt, ask our authorized service center for the inspection and repair.



## Refuelling

- Before refuelling, stop the engine.
- Never refuel near naked flames.
- Do not smoke when refuelling.
- Always allow sufficient time for the engine to cool down before refuelling.
- Take care not to let your skin come into contact with petroleum products. Do not inhale gasoline fumes and always wear protective gloves when refuelling. Change and clean protective wear at regular intervals.
- Take extra care to avoid spilling gasoline and oil in order to avoid contamination of the ground (environmental protection). If gasoline or oil has been spilled onto the pole hedge trimmer, immediately wipe the surface of the pole hedge trimmer with a rag.  
To avoid spontaneous combustion, allow wet rags to dry sufficiently before discarding them into an appropriate, covered container.
- Make sure that no fuel comes in contact with your clothing. Change fuel-contaminated clothing immediately (fire hazard).
- Close the fuel tank and tighten the fuel tank cap securely. To restart the engine, transfer the pole hedge trimmer to a location at least 3 meters away from the place of refuelling.
- Check the fuel tank cap at regular intervals to make sure that the cap is securely fastened.
- Never refuel the machine in an enclosed room. Fuel vapors accumulate at ground level (risk of explosion).
- Store fuel in appropriate containers only, and make sure that stored fuel is out of the reach of children.



## Operation

- In the event of an emergency, turn off the engine immediately.
- If you feel any unusual condition (e.g. noise, vibration) during operation, switch off the engine. Do not use the pole hedge trimmer until the cause is recognized and solved.
- The blades continue to move for a short period after releasing the throttle trigger or switch off the engine. Don't rush to contact the blades.
- Never attempt to operate the equipment with one hand. Loss of control may result in serious or fatal injury. To reduce the risk of cut injuries, keep your hands and feet away from the blades.
- Keep your right hand under the shoulder height during operation. Otherwise you may lose control and result in injury.
- During operation, never hit the blades against hard obstacles such as stones and metals. Take particular care when cutting hedges next to or against wire fences. When working close to the ground, make sure that no sand, grit or stones get between the blades.
- If the blades come into contact with stones or other solid objects, stop the engine immediately and check the blades for damage after removing the spark plug cap. Replace the blades if damaged.
- Never touch or approach the blades while they are moving. Blades can cut your finger easily. When handling or approaching the blade, stop the engine and remove the spark plug cap.
- If thick branches get jammed in the blades, immediately stop the engine, put the pole hedge trimmer down and then remove the obstruction after removing the spark plug cap. Check the blades for damage before using the equipment again.
- Accelerating the engine with the blades blocked increases the load and may damage the engine and/or clutch.
- Check the cutting blades frequently during operation for cracks or blunt edges. Before the inspection, switch off the engine and wait until the blades stop completely. Replace damaged or dull blades immediately, even if they have only superficial cracks.
- Do not touch the gear case. The gear case becomes hot during operation.
- Take a rest to prevent loss of control caused by fatigue. We recommend to take a 10 to 20-minute rest every hour.
- Before cutting, pull the throttle lever fully to achieve the maximum speed.
- During operation, hold the pole hedge trimmer with both hands at all times.
- Only use the pole hedge trimmer in good light and visibility conditions. Beware of slippery and wet areas (ice and snow) during the cold season (danger of slipping), and always ensure secure footing.
- Never use the pole hedge trimmer while standing on an unstable surface or a steep slope.
- Never use the pole hedge trimmer while standing on a ladder.
- Never climb a tree to use the pole hedge trimmer from the tree.
- To avoid stumbling or falling over objects, never walk backwards when working with the pole hedge trimmer.
- Always stop the engine before cleaning or servicing the machine. Also, refrain from replacing parts before the engine has been stopped.
- Do not operate the pole hedge trimmer if the cutting unit is damaged or worn.

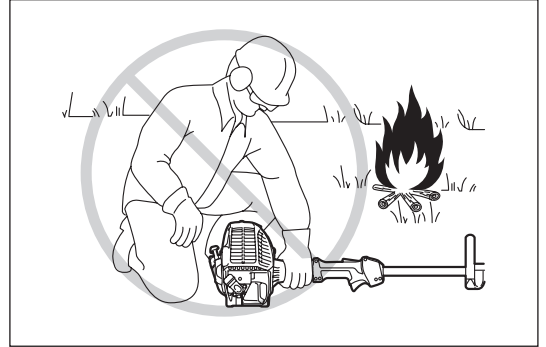


## Vibration

- People with poor circulation who are exposed to excessive vibration may experience injury to blood vessels or the nervous system. Vibration may cause the following symptoms to occur in the fingers, hands or wrists: "Falling asleep" (numbness), tingling, pain, stabbing sensation, alteration of skin color or of the skin. If any of these symptoms occur, see a physician!
- To reduce the risk of "white finger disease", keep your hands warm during operation and well maintain the equipment and accessories.

## Maintenance instructions

- Have your equipment serviced by our authorized service center, always using only genuine replacement parts. Incorrect repair and poor maintenance can shorten the life of the equipment and increase the risk of accidents.
- Always do your utmost to keep pollution and noise emissions as low as possible when operating the pole hedge trimmer. Pay special attention to correct adjustment of the carburetor.
- Clean the pole hedge trimmer at regular intervals and periodically check whether all nuts and bolts are securely tightened.
- Never service or store the pole hedge trimmer in the vicinity of naked flames, sparks, etc.
- Never repair bent or broken blades by straightening or welding. It may cause parts of the blades to come off and result in serious injury. Contact DOLMAR authorized service center for DOLMAR genuine blades to replace them.
- To prevent further damage and/or personal injury, refrain from repairing a malfunctioning pole hedge trimmer if not qualified to do so. For repairs always contact your dealer or an authorized service agent.



Do not attempt to modify or remodel the pole hedge trimmer as this may affect operation safety.

Maintenance work that can be performed by the user is limited to the activities described in this instruction manual. Any other procedures are to be executed by an authorized service agent.

Request DOLMAR authorized service center to inspect and maintain the pole hedge trimmer at regular interval.

Use only genuine spare parts and accessories supplied by DOLMAR via authorized service centers.

Use of unauthorized accessories and tools may increase the risk of accident and injury. DOLMAR accepts no liability whatsoever for accidents or damage resulting from the use of unauthorized accessories and parts.

## Storage

- Before storing the equipment, perform full cleaning and maintenance. Fit the blade cover.
- Empty the fuel tank before storage, and always store the pole hedge trimmer in a well-ventilated locked room. Make sure the pole hedge trimmer is out of children's reach at all times.
- Do not prop the equipment against something, such as a wall. Otherwise the pole hedge trimmer may fall suddenly and cause an injury.

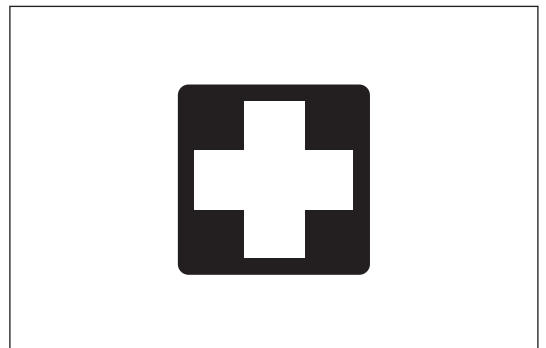
## First aid

As a precaution for the occurrence of an accident, make sure that a fully stocked first aid kit is ready at hand.

Replace any items taken from the first aid kit as soon as possible.

## When asking for help in the case of an emergency, give the following information:

- Place of accident
- What happened
- Number of injured people
- Extent of injuries
- Your name



**For European countries only**

**EC Declaration of Conformity**

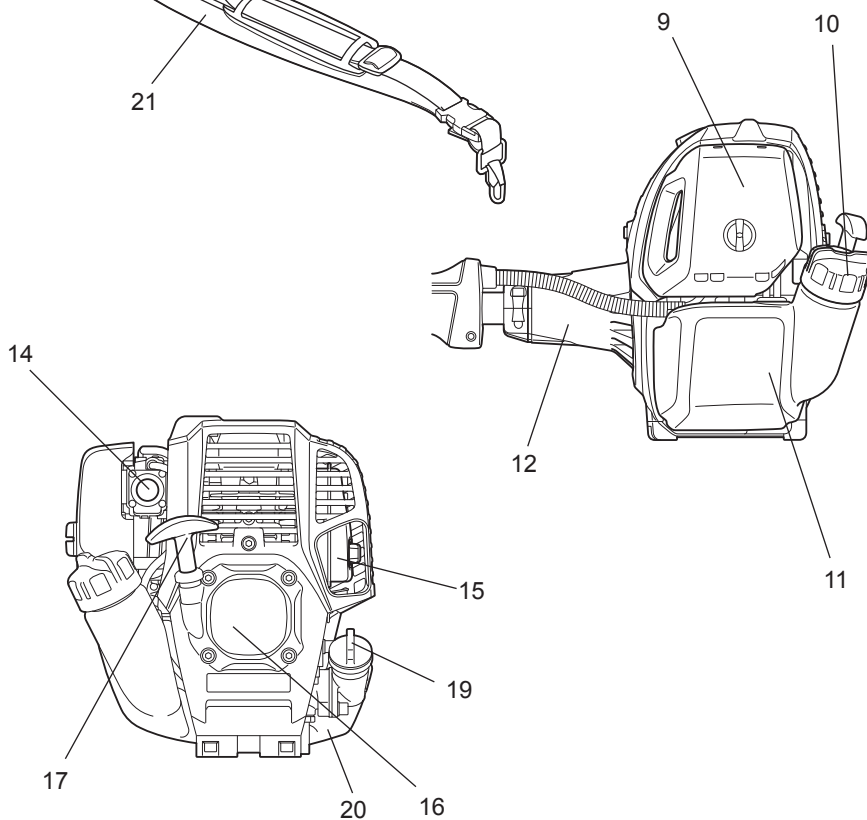
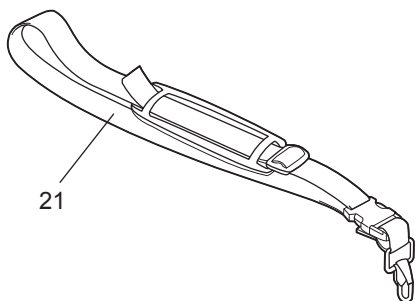
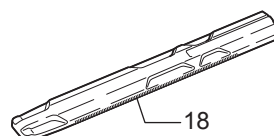
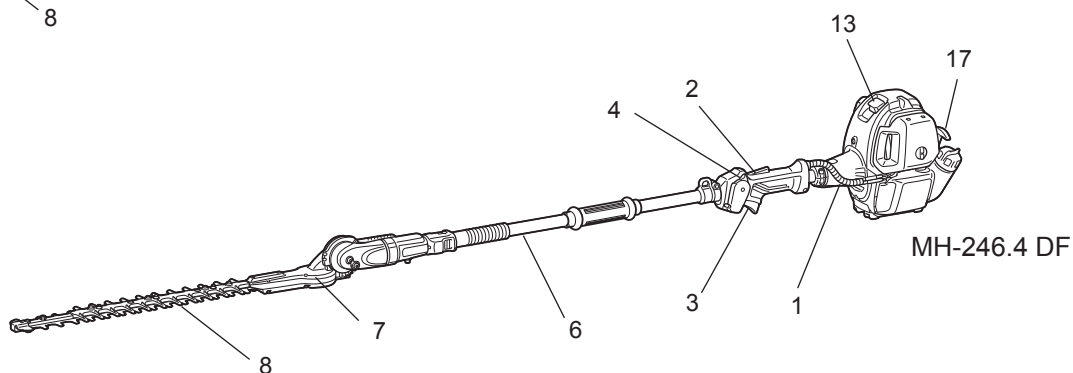
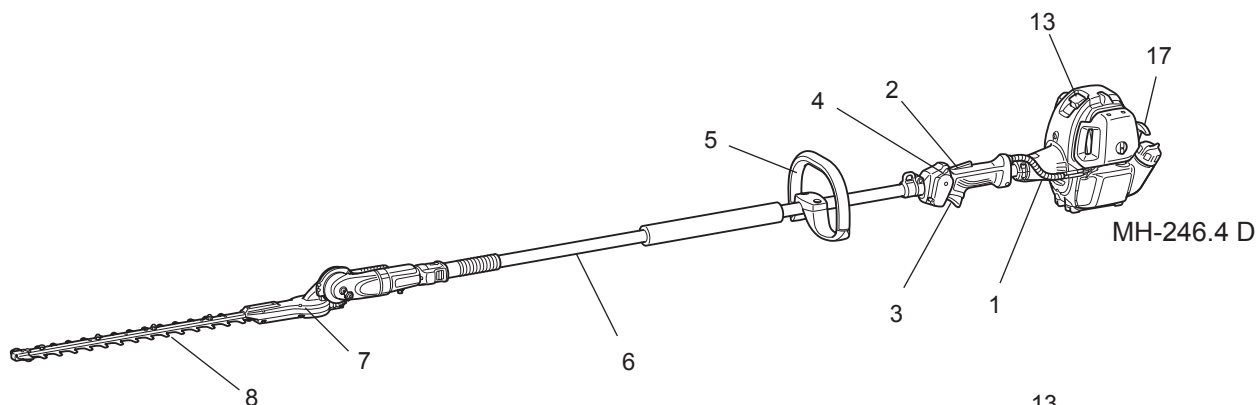
The EC declaration of conformity is included as Annex A to this instruction manual.

## TECHNICAL DATA

Model	MH-246.4 D		MH-246.4 DF		
	Loop handle		Straight handle		
Dimensions (L x W x H)	2,550 mm x 242 mm x 241 mm		2,050 mm x 221 mm x 241 mm		
Net weight	6.9 kg		6.6 kg		
Volume (fuel tank)	0.6 L				
Cutting length	490 mm				
Maximum branch diameter	7 mm				
Cutting strokes	4,200 min <sup>-1</sup>				
Engine type	Air cooled, 4-stroke, single cylinder				
Engine displacement	25.4 cm <sup>3</sup>				
Maximum engine performance	0.77 kW at 7,000 min <sup>-1</sup>				
Engine speed at recommended max, spindle speed	10,000 min <sup>-1</sup>				
Fuel consumption	0.33 kg/h				
Specific fuel consumption	408 g/kWh				
Idling speed	3,000 min <sup>-1</sup>				
Clutch engagement speed	4,400 min <sup>-1</sup>				
Carburetor (Diaphragm carburetor)	Diaphragm type				
Spark plug type	NGK CMR4A				
Electrode gap	0.7 - 0.8 mm				
		Vibration per ISO 10517		Vibration per ISO 10517	
Right handle (rear grip)	a <sub>h<sub>v</sub> eq</sub>	8.5 m/s <sup>2</sup>		7.0 m/s <sup>2</sup>	
	Uncertainty K	1.3 m/s <sup>2</sup>		3.1 m/s <sup>2</sup>	
Left handle (front grip)	a <sub>h<sub>v</sub> eq</sub>	6.4 m/s <sup>2</sup>		5.1 m/s <sup>2</sup>	
	Uncertainty K	2.6 m/s <sup>2</sup>		1.5 m/s <sup>2</sup>	
		Noise per ISO 10517		Noise per ISO 10517	
Sound pressure level	90 dB (A)		90.2 dB (A)		
Uncertainty K	1.8 dB (A)		1.0 dB (A)		
Sound power level	103.0 dB (A)		104.1 dB (A)		
Uncertainty K	1.0 dB (A)		0.4 dB (A)		
Fuel	Automobile gasoline (petrol)				
Engine oil	API grade SF class or higher, SAE 10W-30 oil (automobile 4-stroke engine oil)				
Gear ratio	1/4.78				



## DESIGNATION OF PARTS



Designation of parts	
1	Throttle cable
2	Lock-off lever
3	Throttle lever
4	Stop switch
5	Handle
6	Shaft
7	Gear box
8	Cutter blade
9	Air cleaner
10	Fuel tank cap
11	Fuel tank
12	Clutch case
13	Spark plug cap
14	Primer pump
15	Muffler
16	Recoil starter
17	Starter knob
18	Blade cover
19	Oil cap
20	Oil tank
21	Shoulder strap (Optional accessory)

## ASSEMBLY

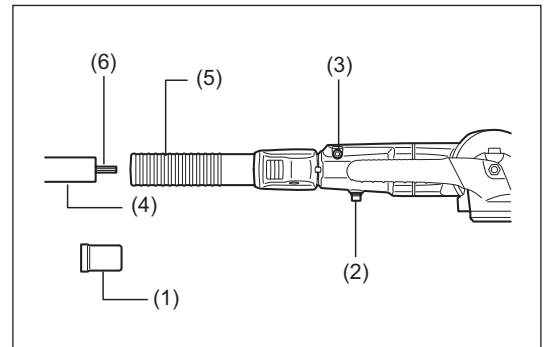
### ⚠ WARNING:

- Make sure that the engine is turned off, and remove the spark plug cap before assembling the pole hedge trimmer.
- Wear protective gloves!
- Secure cutting blades with the blade cover provided when connecting the trimmer unit to the pole.

1. Remove the cap (1) from the shaft.
2. Loosen the M5 x 16 bolt (2) and M5 x 25 bolt (3).
3. Insert shaft (4) into the cover (5).

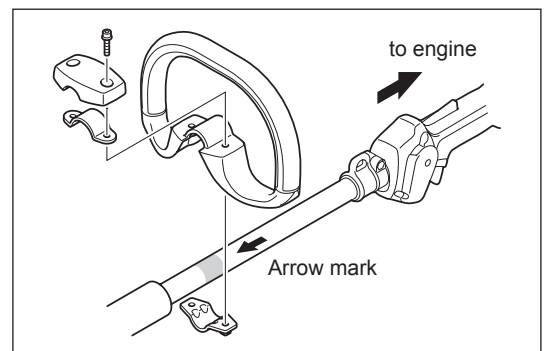
NOTE: Make sure that the shaft is completely inserted into the cover (approx. 237 mm/ 9-3/8").  
If you are having trouble inserting the shaft, manually rotate the drive axle (6) a little and try again.

4. Make sure that the shaft is properly inserted and then tighten the M5 x 16 bolt and the M5 x 25 bolt.



### ATTACHING THE HANDLE (for MH-246.4 D)

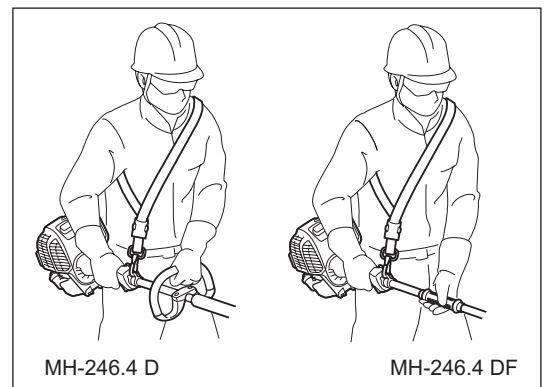
- Fix the loop handle on the shaft as shown.
- To keep a proper distance between the grips, set the loop handle ahead of the arrows.



## SHOULDER STRAP (optional accessory)

### How to wear the shoulder strap

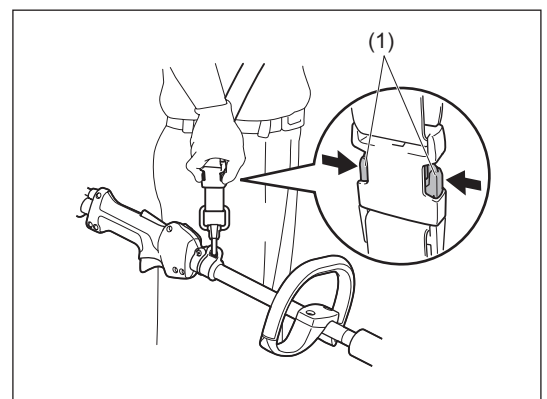
- Wear the shoulder strap over the left shoulder.
- Keep the pole hedge trimmer unit on the right hand side of the body.
- Attach the strap to the hanger provided on the pole hedge trimmer and adjust the length of the strap to attain a comfortable working position.



### Detachment

- In an emergency, push the notches (1) at both sides, and you can detach the machine from you.  
Be extremely careful to maintain control of the machine at this time. Do not allow the machine to be deflected toward you or anyone in the work vicinity.

WARNING: Failure to maintain complete control of the machine at all could result in serious bodily injury or DEATH.



## BEFORE START OF OPERATION

### Inspection and refill of engine oil

- Perform the following procedure, with the engine cooled down.
- Set the engine level, remove oil cap (Fig. 1), and check to see whether or not there is oil in the range between the upper limit and lower limit marks of the oil pipe (Fig. 2).
- Top up with oil to upper limit mark if oil is insufficient (oil level is close to lower limit mark) (Fig. 3).
- The area surrounding the external marks is transparent, so the amount of oil inside can be checked without having to remove the oil cap. However, if oil pipe becomes extremely dirty, visibility may be lost, and oil level will have to be checked against stepped section on inside of oil pipe.
- For reference, the oil refill time is about 10 h (every 10 refuelling).  
If the oil changes in color or mixes with dirt, replace it with new one. (For the interval and method of replacement, refer to P20)

**Recommended oil:** SAE 10W-30 oil of API Classification, Class SF or higher (4-stroke engine for automobile)

**Oil volume:** Approx. 0.08 L

**NOTE:** If the engine is not kept upright, oil may go into around the engine, and may be refilled excessively.  
If the oil is filled above the limit, the oil may be contaminated or may catch fire with white smoke.

### Point 1 in Replacement of oil: "Oil cap"

- Remove dust or dirt near the oil refill port, and detach the oil cap.
- Keep the detached oil cap free of sand or dust. Otherwise, any sand or dust adhering to the oil cap may cause irregular oil circulation or wear on the engine parts, which will result in troubles.

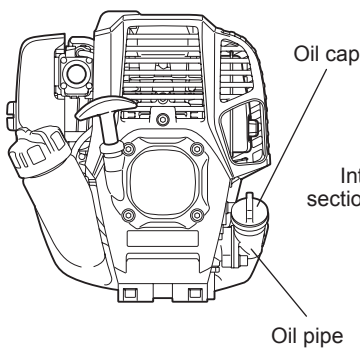


Fig. 1

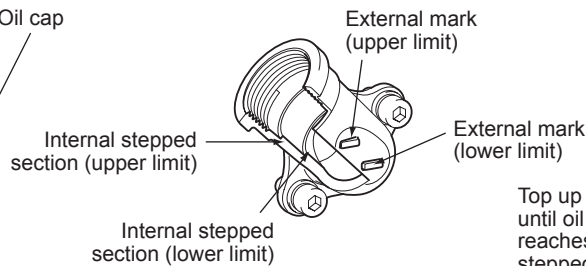


Fig. 2 Oil pipe

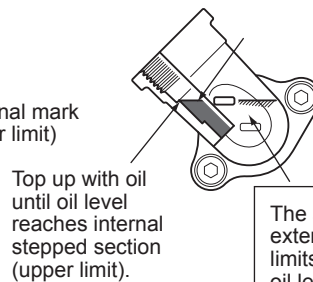
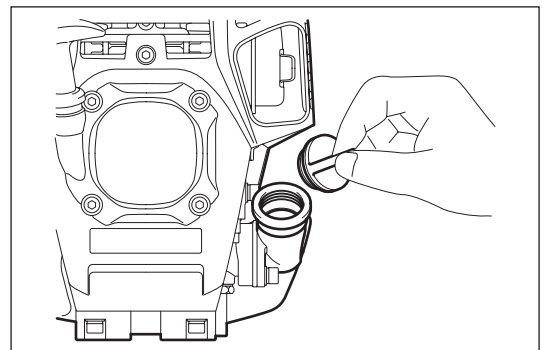


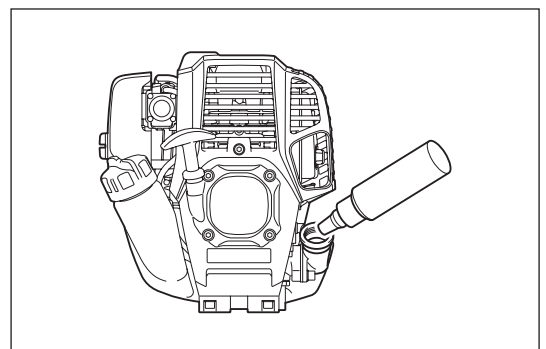
Fig. 3

The area between the external upper and lower limits is transparent, so oil level can be checked externally against these marks.

(1) Keep the engine level, and detach the oil cap.



(2) Fill with oil to upper limit mark. (see Fig. 3)  
Use oil bottle when filling.



(3) Securely tighten the oil cap. Insufficient tightening may cause oil leakage.

#### Note

- Do not replace oil with the engine in a tilted position.
- Filling with oil while engine is tilted leads to overfilling which causes oil contamination and/or white smoke.

#### Point 2 in Replacement of oil: "If oil spills out"

- If oil spills out between the fuel tank and engine main unit, the oil is sucked into through the cooling air intake port, which will contaminate the engine. Be sure to wipe out spilled oil before start of operation.

## REFUELLING

### Handling of fuel

It is necessary to handle fuel with utmost care. Fuel may contain substances similar to solvents. Refuelling must be performed in a sufficiently ventilated room or in the open air. Never inhale fuel vapors, and keep fuel away from you. If you touch fuel repeatedly or for a long time, the skin becomes dry, which may cause skin disease or allergy. If fuel comes into the eye, clean the eye with fresh water. If your eye remains still irritated, consult your doctor.

### Storage period of fuel

Fuel should be used within a period of 4 weeks, even if it is kept in a special container in a well-ventilated and shaded area. Otherwise, fuel may deteriorate in one day.

#### STORAGE OF MACHINE AND REFILL TANK

- Keep the machine and tank at a cool place free from direct sunshine.
- Never keep the fuel in a car.

### Fuel

The engine is a four-stroke engine. Be sure to use an unleaded automobile gasoline 87 or higher octane ((R+M)/2). It may contain no more than 10% alcohol (E-10).

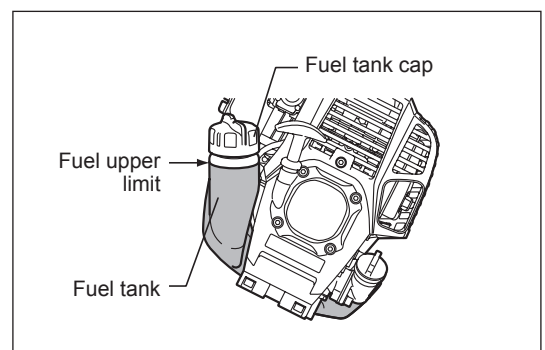
#### Points for fuel

- Never use a gasoline mixture which contains engine oil. Otherwise, it will cause excessive carbon accumulation or mechanical troubles.
- Use of deteriorated oil will cause irregular start-up.

### Refuelling

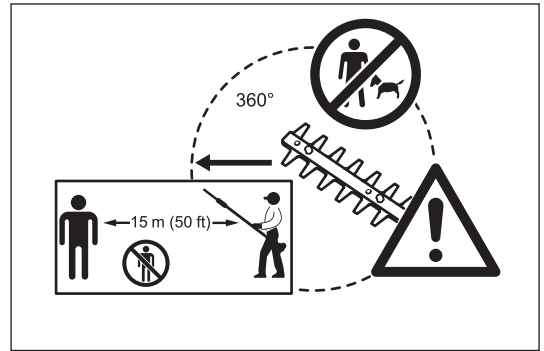
#### WARNING: INFLAMMABLES STRICTLY PROHIBITED

- Loosen the tank cap a little to release the tank pressure.
  - Detach the tank cap, and refuel, discharging air by tilting the fuel tank so that the refuel port will be oriented upward. (DO NOT fill fuel up to the top of the tank.)
  - Wipe well the periphery of the tank cap to prevent foreign matter from entering the fuel tank.
  - After refuelling, securely tighten the tank cap.
- If there is any flaw or damage on the tank cap, replace it.
  - The tank cap wears out in course of time. Replace it every two to three years.



## PRECAUTIONS BEFORE STARTING THE ENGINE

- At all times allow a 15-meter diameter safety zone around the working area. Make sure that all persons (in particular children) and/or animals remain outside this zone.
- Before using the pole hedge trimmer, make sure that the machine is in safe operational condition. Make sure that the cutting blades are not damaged, and check the throttle lever for easy action. Make sure that the cutting blades are not in motion when the engine is idling. If the machine is not operating normally, contact your dealer to have the machine adjusted. Make sure that the handles are clean and dry, and test whether the I-O switch is functioning properly. Start the engine only in accordance with the instructions given in this manual. Do not use any other methods to start the pole hedge trimmer.
- Start the engine of the pole hedge trimmer only after having read and fully understood the instructions. Never attempt to start a pole hedge trimmer that has not been fully assembled. Serious injury may result otherwise.
- Before starting the engine, always make sure that the cutting blades are not obstructed by stones, branches or any other solid objects.
- Check the working area for wires, cord, glass or other foreign objects that could get caught in the cutting blades.
- Electrical shock: Be aware of all electrical lines in the vicinity. Check the entire work area for the presence of power lines and electrical fences before starting to work.



## POINTS IN OPERATION AND HOW TO STOP

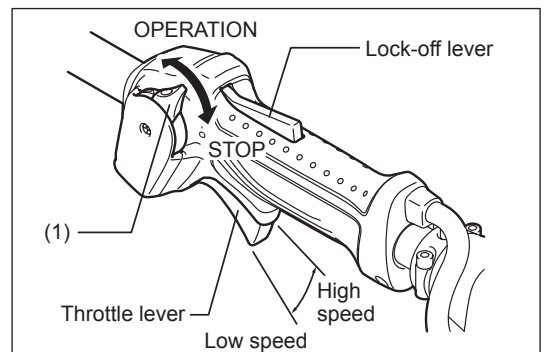
Observe the applicable accident prevention regulations!

### STARTING

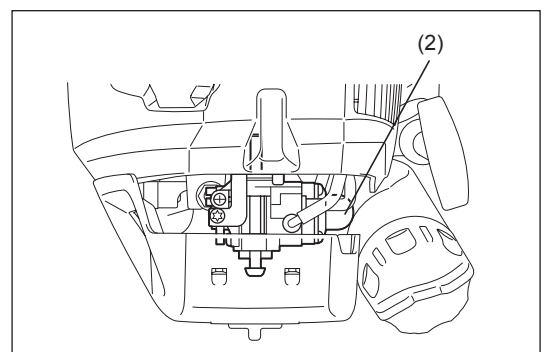
Move at least 3 m away from the place of refuelling. Put the pole hedge trimmer on a clean piece of ground taking care that the cutting blades do not come into contact with the ground or any other objects.

#### A: Cold start

- 1) Set this machine on a flat space.
- 2) Set the I-O switch (1) to OPERATION.



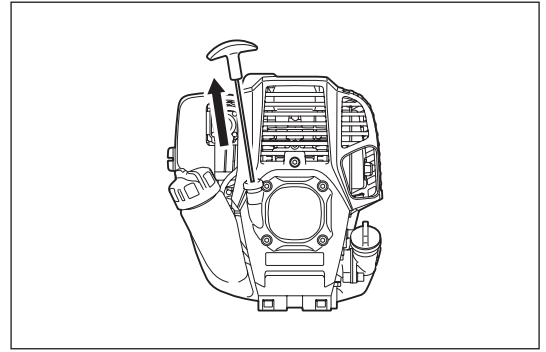
- 3) Primer pump  
Continue to push the primer pump (2) until the fuel comes into the primer pump. (In general, fuel comes into the primer pump by 7 to 10 pushes.) If the primer pump is pushed excessively, an excess of gasoline returns to the fuel tank.



- 4) Recoil starter  
Pull the start knob gently until it is hard to pull (compression point). Then, return the start knob, and pull it strongly. Never pull the rope to the full extension. Once the start knob is pulled, never release your hand immediately. Hold the start knob until it returns to its original point.

- 5) Warm-up operation  
Continue warm-up operation for 2 to 3 minutes.

NOTE: In case of excessive fuel intake, remove the spark plug and pull the starter handle slowly to remove excess fuel. Also, dry the electrode section of the spark plug.



**B: Startup after warm-up operation**

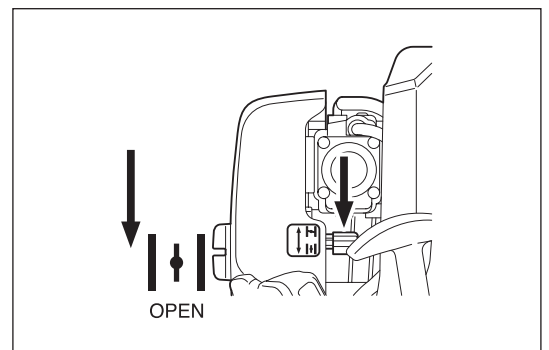
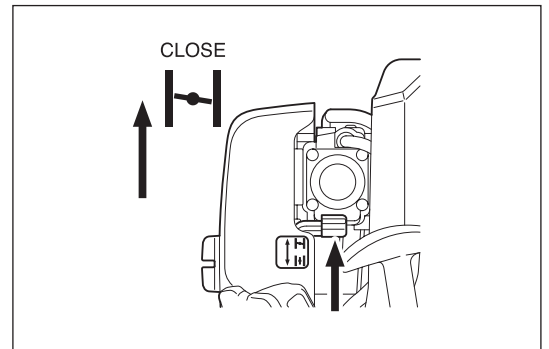
- 1) Repeat pushing the primer pump gently.
- 2) Keep the throttle lever at the idling position.
- 3) Pull the recoil starter strongly.
- 4) If it is difficult to start the engine, open the throttle by about 1/3.  
Pay attention to the cutting blades which may move.

**At times, such as winter, when starting the engine is difficult, operate choke lever with the following procedure when starting engine.**

- After implementing startup steps 1) to 3), set choke lever to the CLOSE position.
- Implement startup step 4) and start engine.
- Once engine starts, set choke lever to the OPEN position.
- Implement startup step 5) and complete warm up.

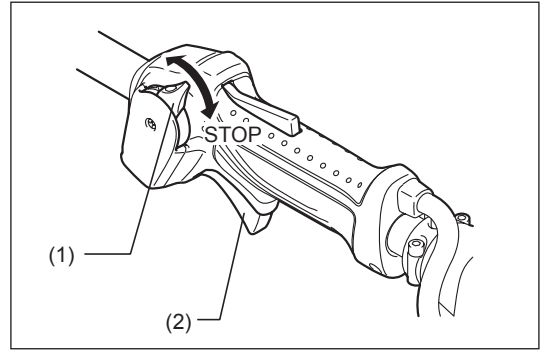
CAUTION: If a bang (explosive sound) is heard and the engine stops, or the just-started engine stalls before the choke lever is operated, return the choke lever to the OPEN position, and pull the starter knob a few times again to start the engine.

CAUTION: If the choke lever is left in the CLOSE position, and the starter knob merely pulled repeatedly, too much fuel will be sucked in, and the engine will become difficult to start.



## STOPPING

- 1) Release the throttle lever (2) fully, and when the engine speed has lowered, set the I-O switch (1) to STOP the engine will now stop.
- 2) Be aware that the cutting head may not stop immediately and allow it to slow down fully.

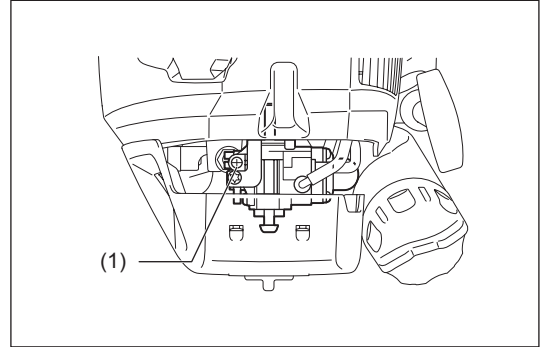


## ADJUSTMENT OF LOW-SPEED ROTATION (IDLING)

When it is necessary to adjust the low-speed rotation (idling), perform it by the carburetor adjusting screw (1).

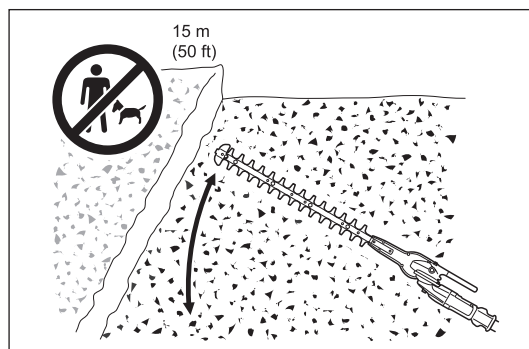
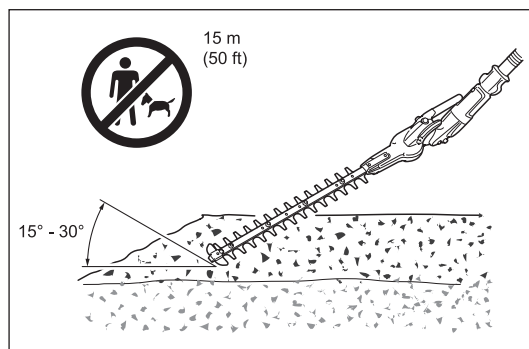
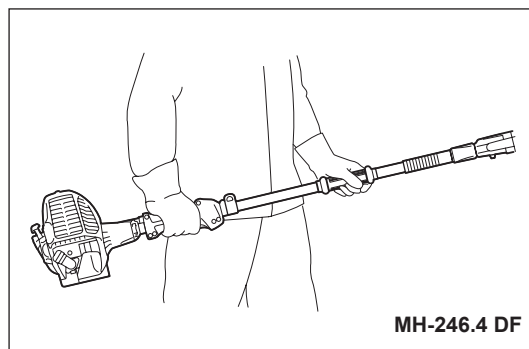
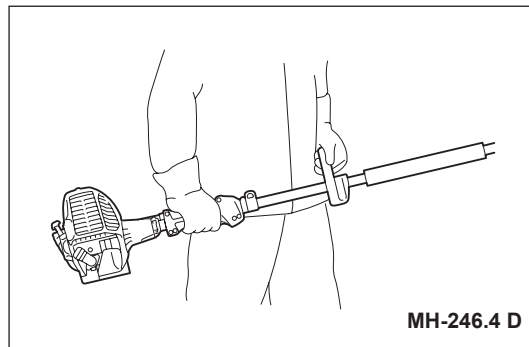
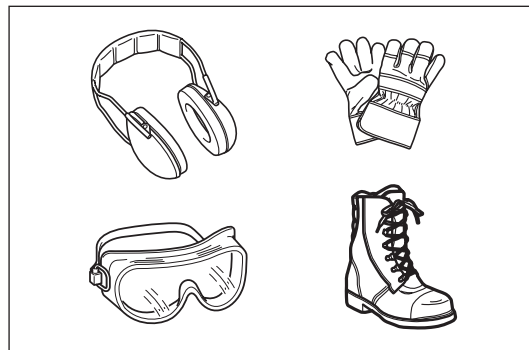
## CHECKUP OF LOW-SPEED ROTATION

- Set the low-speed rotation to 3,000 rpm (/min).  
If it is necessary to change the rotation speed, regulate the adjusting screw (1) with Phillips screwdriver.
- Turn the adjusting screw to the right, and the engine speed will increase. Turn the adjusting screw to the left, and the engine speed will drop.
- The carburetor is generally adjusted before shipment. If it is necessary to readjust it, please contact Authorized Service Center.



## OPERATING THE POLE HEDGE TRIMMER

- Do not touch the cutting blade portion of the pole hedge trimmer during operation, or when the engine is running.
- Take extra care not to inhale exhaust gases when working with the pole hedge trimmer. Never operate the pole hedge trimmer in an enclosed room or an area with insufficient ventilation (risk of suffocation and gas poisoning). Note that carbon monoxide is an odorless gas that is, it cannot be detected by the sense of smell.
- Always wear adequate protective wear before starting to work with the pole hedge trimmer.
- Stop the engine immediately if the muffler is not functioning properly.
- Only use the pole hedge trimmer in good light and visibility conditions.
- Do not operate the pole hedge trimmer in darkness or fog. Beware of slippery and wet areas (ice and snow) during the cold season (danger of slipping), and always ensure secure footing.
- Never use the pole hedge trimmer while standing on an unstable surface or a steep slope.
- Never use the pole hedge trimmer while standing on a ladder.
- Never climb a tree to use the pole hedge trimmer from the tree.
- Continuously check the working area for wires, cord, glass or other foreign objects that could get caught in the cutting blades.
- Make sure that the cutting blades are in rapid motion before starting to cut.
- Always grip the pole hedge trimmer with both hands and maintain a firm grip when working with the machine.
- To assure optimal control over the pole hedge trimmer, always completely wrap your hands around the handles (use your thumb for counter pressure) and apply a firm grip on the handles.
- Note that the cutting blades will remain in motion for up to two seconds after the throttle lever has been released.
- Do not cut with the pole hedge trimmer at low engine speed.
- The speed of the cutting blades cannot be adjusted properly with the throttle lever when the engine is running at low speed.
- To trim the top surface of a hedge, first align the cutting blades at an angle of 15° - 30° in the cutting direction and keep the pole hedge trimmer in a horizontal position. Then start trimming the hedge using a swinging movement, much like drawing circle segments with the hedge trimmer shaft.
- To trim the sides of a hedge, align the blades parallel to the surface to be cut and start trimming with semi-circular upward (down-up) movements.
- Pay attention when trimming a hedge close to or against wire fences.
- Do not touch hard objects such as wire fence, stone or ground with the cutting blades. It may cause blades to crack, chip or break.
- Do not use the pole hedge trimmer over an extended period of time. As a general rule, for every 50 minutes of operation take a 10-20 minutes rest.
- If the cutting blades come into contact with stones or other solid objects, stop the engine immediately and check the blades for damage. Replace the blades if damaged.
- If the pole hedge trimmer develops a problem during operation (strange noises, vibration, etc.), immediately stop the engine. Do not use the machine again until the problem has been recognized and solved.
- Always do your utmost to keep pollution and noise emissions as low as possible when operating the pole hedge trimmer. Pay special attention to correct carburetor adjustment.
- If thick branches get jammed in the cutting blades, immediately stop the engine, lay the equipment on the ground and remove the obstruction. Check the blades for damage before using the machine again.





## Adjustment of cutting angle

### Warning:

- Do not operate the tool with the loose and unstable cutter unit.

You can adjust the cutting angle upwards to 45° and downwards to 90°.

1. Stop the pole hedge trimmer engine and lay the machine on the ground.
2. To adjust the angle of the cutter unit, hold the handle (A) on the cutter unit with one hand, and hold the angle lock (B) as illustrated with the other hand.
3. Pull the angle lock gently, and change the angle of the cutter unit. After adjusting the angle, return the angle lock gently.

### Note:

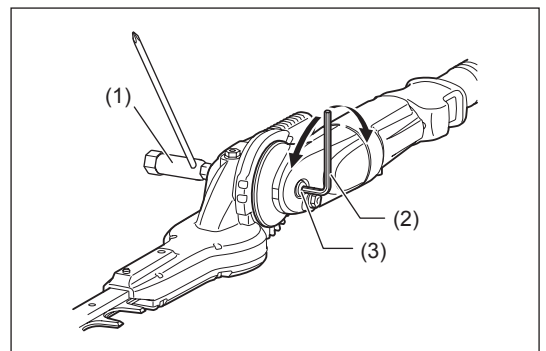
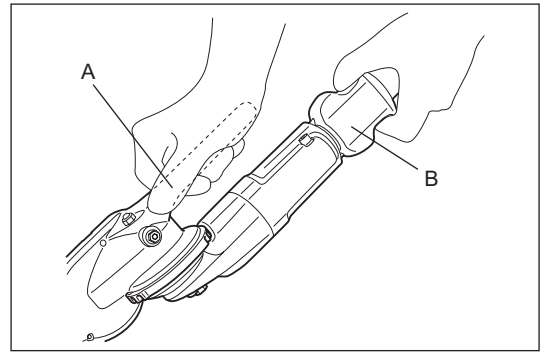
- The cutter unit is fasten only with certain angles alongside the groove on the unit. Make sure the cutter unit sits properly. If the angle is not appropriate, the clutch is cut and the tool does not operate.
- Do not adjust the cutter unit while the pole hedge trimmer is in an upright position.
- Move the I-O switch to the "O" position and lay the pole hedge trimmer flat on the ground to adjust the cutting angle.
- Always secure the blades with the blade cover provided before adjusting cutting angle.

In case the cutter unit is loose, the bolt (the axis of angle adjustment) needs to be tightened.

1. Set the socket wrench (1) and the hex wrench (2) on the bolt (3).
2. Adjust the tightness of the cutter unit by turning hex wrench, and then fasten the bolt by turning the socket wrench.

### Note:

- Do not fasten the cutter unit too tight. The angle of the cutter unit can not be changed if it is too tight.



## MAINTENANCE

- Before performing any maintenance work on the pole hedge trimmer (blade cleaning, etc.), always stop the engine and wait until the engine has cooled down.  
As an additional safety precaution, also remove the spark plug cap.
- Do not try to straighten or weld bent or broken cutting blades. Always replace damaged blades.
- Stop the engine at regular intervals to check the cutting blades for possible damage (perform a tapping-resonance test to detect hard-to-see hairline cracks). Always make sure that the teeth of the blades are sharp.
- Clean the pole hedge trimmer regularly. During cleaning also check all screws, nuts and bolts are well tightened.
- To reduce the risk of fire, never service or store the pole hedge trimmer in the vicinity of open fires.
- Always wear rugged protective gloves when handling the cutting blades.
- Contact your dealer for replacement cutting blades.
- Never use gasoline, benzine, thinner, alcohol or the like for cleaning.  
Discoloration, deformation or cracks may result.

### Sharpening the blade

If the cutting blades have become blunt and cutting performance is poor, have the blades sharpened by an authorized service agent.

### Adjusting blade clearance

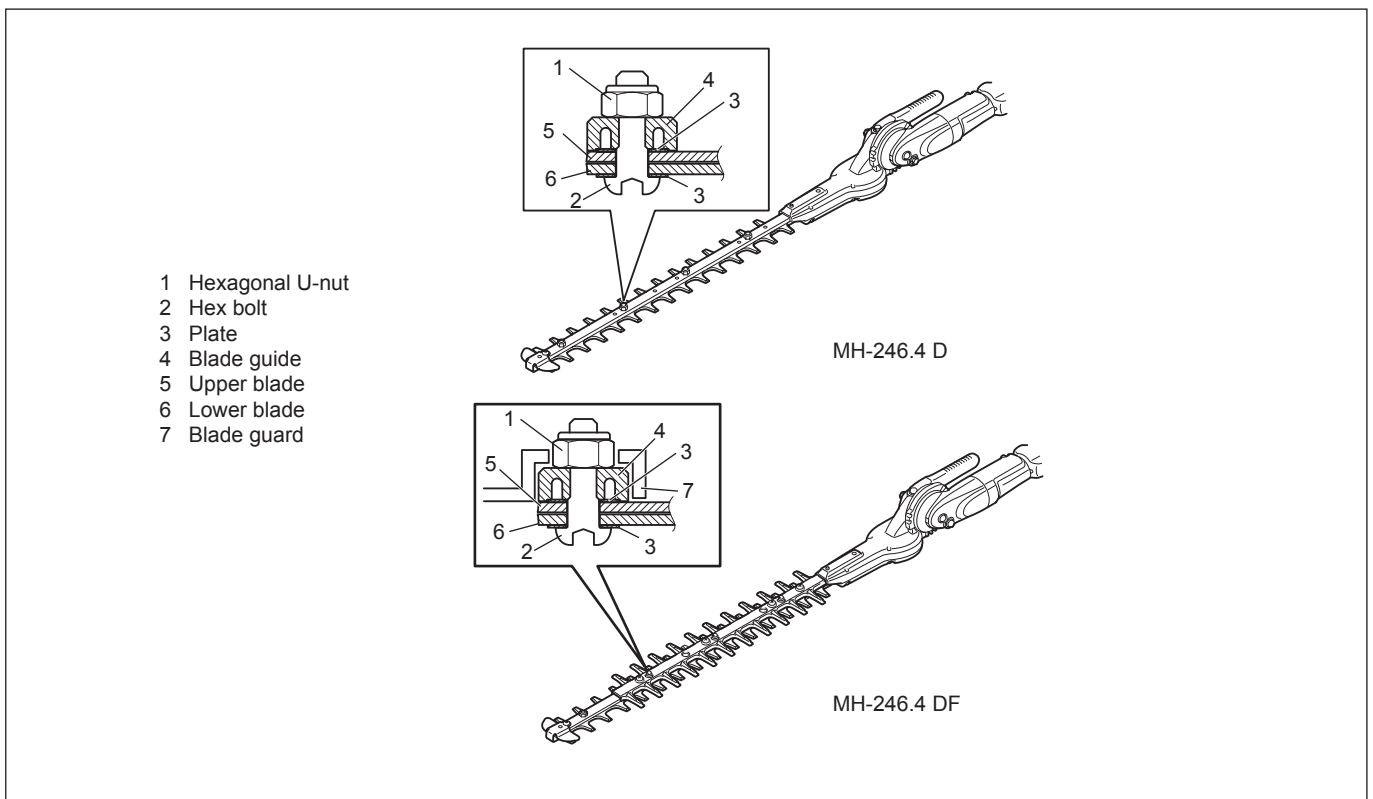
The upper/lower blades wear out gradually after operations. If you cannot get a clean cut though the blades are sharp enough, adjust the clearance as follows.

The tightness of the hex bolt decides the clearance of the blades. The nut holds the hex bolt with certain tightness. Too loose clearance causes blunt cut, but too tight clearance causes unnecessary heat and sooner worn-out of the blades.

1. Loosen the nut (1) with a box or open-ended wrench.
2. Tighten the hex bolt (2) with a hex wrench lightly till it stops. And then, screw it back between a quarter turn and a half turn to gain necessary clearance.
3. Tighten the nut (1), holding the hex bolt (2).
4. Apply light oil on the friction surface of the blades.
5. Start the engine, operate the throttle on and off for a minute.
6. Stop the engine and touch the surface. If they are not too hot to touch, you have made a proper adjustment. If they are too hot to touch, turn the hex bolt (2) back a little and repeat the step 5 to 6.

NOTE: Before making the adjustment, stop the engine and wait for the blades to stop.

The blades have a slot around the hex bolt (2). In case you find dust in the end of any of the slots, clean it.

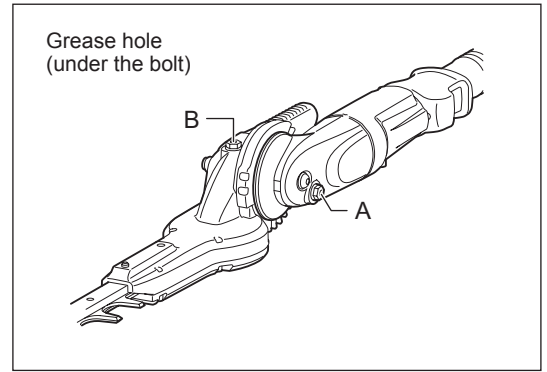


## Adding grease and lubricant

**Important: Make sure that the surface of gear box is completely cold before lubricating.**

- The gearbox of the pole hedge trimmer should be greased every 25 working hours. The grease hole locates under the bolt. Remove the bolt to lubricate. Add approx. 3 g (4 cc) of lubricant to the point A of the gearbox and 5 g (7 cc) of the lubricant to the point B respectively via the grease hole. Return the bolt after lubrication. After filling correct amount of grease, grease will come out a bit from the base of the blade during the first operation.

**CAUTION:** Observe greasing intervals and the amount of grease to be supplied. Mechanical parts of the pole hedge trimmer may be damaged if grease is not supplied at the prescribed intervals or if an insufficient amount of grease is added.



## Daily inspection and maintenance

To ensure a long service life of your pole hedge trimmer, perform the following inspections and maintenance on a daily basis.

- Before use;
  - Always check for loose or missing parts before starting operation. Pay special attention to the cutting unit and make sure that the cutting blade lock screws are well tightened.
  - Check for clogging of the cooling air passages and the cooling fins of the cylinder before starting operation. Clean if necessary.
- After use;
  - Clean the pole hedge trimmer externally and inspect for damage.
  - Clean the air filter. Clean the filter several times a day if working in extremely dusty conditions.
  - Check the cutting blades for damage. Make sure that the blades are securely mounted.
  - If the cutting blades still continue to run at idle after the adjustment, consult your nearest authorized service agent.

## REPLACEMENT OF ENGINE OIL

Deteriorated engine oil will shorten the life of the sliding and rotating parts to a great extent. Be sure to check the period and quantity of replacement.



**DANGER:** In general, the engine main unit and engine oil still remain hot just after the engine is stopped. In replacement of oil, make sure that the engine main unit and engine oil are sufficiently cooled down. Otherwise, there may remain a risk of scald. Allow sufficient time after stopping engine for the engine oil to return to the oil tank to ensure accurate reading of the oil level indicator.

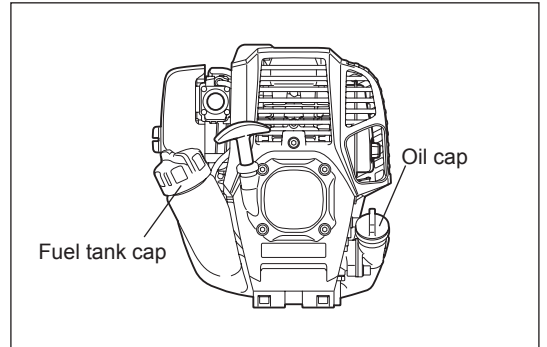
**NOTE:** If the oil filled above the limit, it may become dirty or may catch fire with white smoke.

**Interval of replacement:** After first 20 operating hours, followed by every 50 operating hours

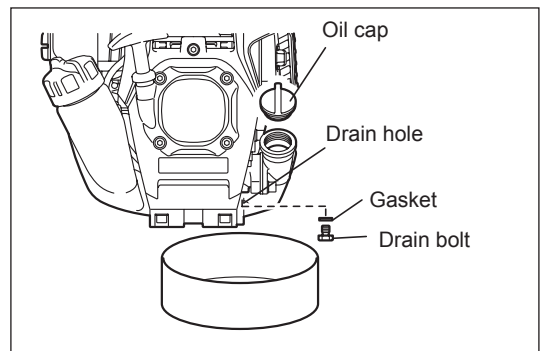
**Recommended oil:** SAE10W-30 oil of API Classification SF Class or higher (4-stroke engine oil for automobile)

In replacement, perform the following procedure.

- 1) Make sure that the fuel tank cap is tightened securely.
- 2) Put large container (pan, etc.) under drain hole.

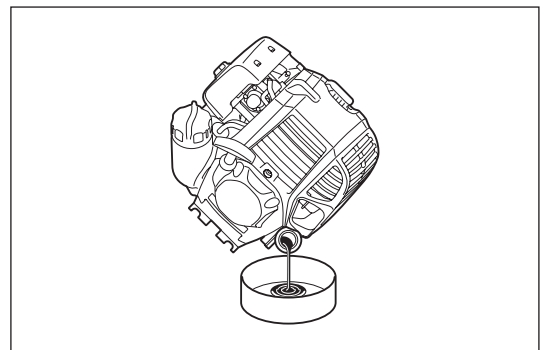


- 3) Remove drain bolt and then remove oil cap to drain out oil from drain hole. At this time, be sure not to mislay drain bolt's gasket, or to dirty any of the removed components.
- 4) Once all the oil has been drained, combine gasket and drain bolt, and tightly secure drain bolt, so that it will not loosen and cause leaks.  
\* Use cloth to fully wipe off any oil attached to bolt and equipment.

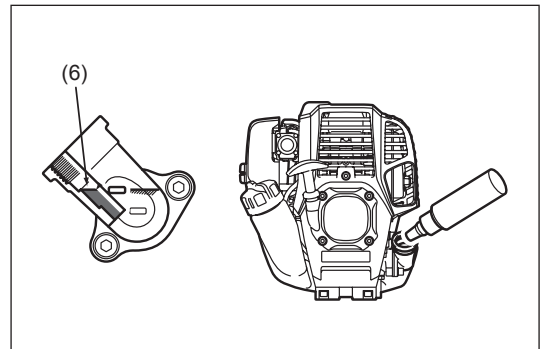
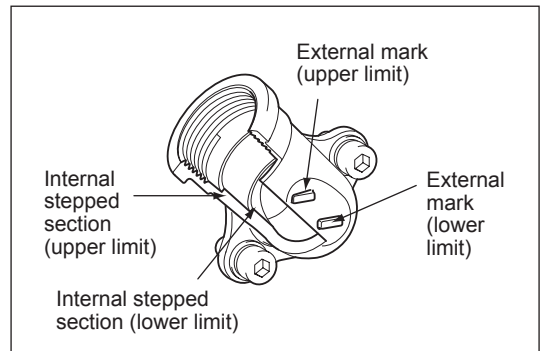


### Alternative draining method

Remove oil cap, tilt pole hedge trimmer toward oil filler hole, and drain out oil. Collect oil in container.



- 5) Set the engine level, and gradually fill up to upper limit mark (6) with new oil.
- 6) After filling, tightly secure oil cap, so that it will not loosen and cause leaks. If oil cap is not tightly secured, it may leak.



#### POINTS ON OIL

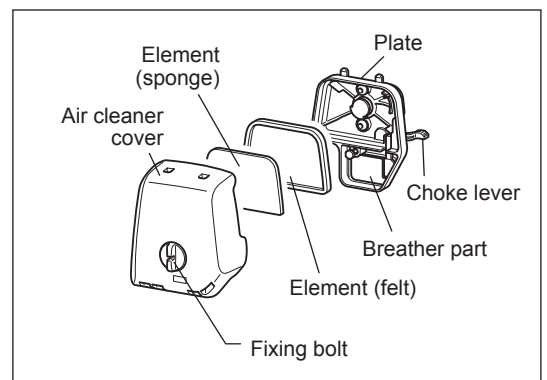
- Never discard replaced engine oil in garbage, earth or sewage ditch. Disposal of oil is regulated by law. In disposal, always follow the relevant laws and regulations. For any points remaining unknown, contact Authorized Service Agent.
- Oil will deteriorate even when it is kept unused. Perform inspection and replacement at regular intervals (replace with new oil every 6 months).

### Cleaning the air cleaner

#### **DANGER: Inflammables strictly prohibited**

Check and clean the air cleaner daily or every 10 operating hours.

- Turn the choke lever fully to the close side, and keep the carburetor free from dust or dirt.
- Loosen the fixing bolt.
- Remove the air cleaner cover by pulling its bottom side.
- Remove the elements and tap them to remove dirt.
- If the elements are heavily contaminated: Remove the elements, immerse them in warm water or in water-diluted neutral detergent, and dry them completely. Do not squeeze or rub them when washing.
- Before attaching the elements, be sure to dry them completely. Insufficient drying of the elements may lead to difficult startup.
- Wipe out oil adhering around the air cleaner cover and the breather part with waste cloth.
- Fit the element (sponge) into the element (felt).
- Fit the elements into the plate so that the sponge faces the air cleaner cover.
- Immediately attach the cleaner cover and tighten it with fixing bolts. (In remounting, first place the upper claw, and then the lower claw.)



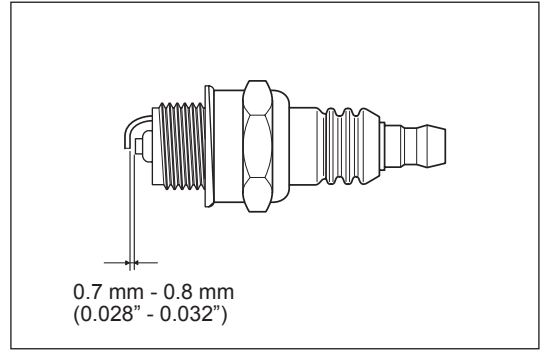
#### **NOTICE:**

- Clean the elements several times a day, if excessive dust adheres to it. Dirty elements reduce engine power and make starting engine difficult.
- Remove oil on the elements. If operation continues with the elements remaining not cleared of oil, oil in the air cleaner may fall outside, resulting in contamination of the environment.
- Do not put the elements on the ground or dirty place. Otherwise they pick up dirt or debris and it may damage the engine.
- Never use fuel for cleaning the elements. Fuel may damage them.

### CHECKING THE SPARK PLUG

- Only use the supplied universal wrench to remove or to install the spark plug.
- The gap between the two electrodes of the spark plug should be 0.7 - 0.8 mm (0.028" - 0.032"). If the gap is too wide or too narrow, adjust it. If the spark plug is clogged or contaminated, clean it thoroughly or replace it.

CAUTION: Never touch the spark plug connector while the engine is running (danger of high voltage electric shock).



### Cleaning the fuel filter (suction head in the fuel tank)

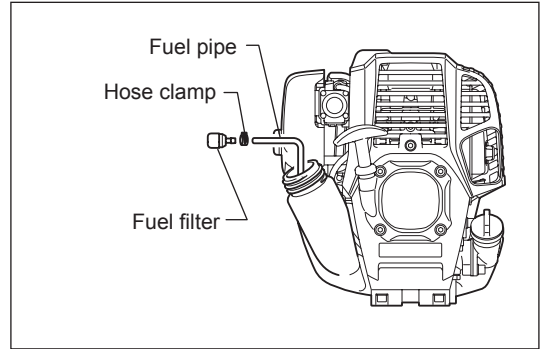
#### WARNING: INFLAMMABLES STRICTLY PROHIBITED

Check and clean the fuel filter monthly or every 50 operating hours.

Check the fuel filter periodically. To check the fuel filter, follow the steps below.

- (1) Remove the fuel tank cap, drain the fuel to empty the tank. Check the tank inside for any foreign materials. If any, remove them.
- (2) Pull out the suction head by using a wire hook through the tank opening.
- (3) If the fuel filter clogged slightly, clean it. To clean it, gently shake and tap it in fuel. To avoid damage, do not squeeze or rub it. The fuel used for the cleaning must be disposed in accordance with the method specified by regulations in your country.  
If the fuel filter became hard or heavily clogged up, replace it.
- (4) After checking, cleaning or replacing, push the fuel filter in all the way to the bottom of the fuel tank.

Clogged or damaged fuel filter can cause insufficient fuel supply and reduce engine power. Replace the fuel filter at least quarterly to ensure satisfactory fuel supply to the carburetor.

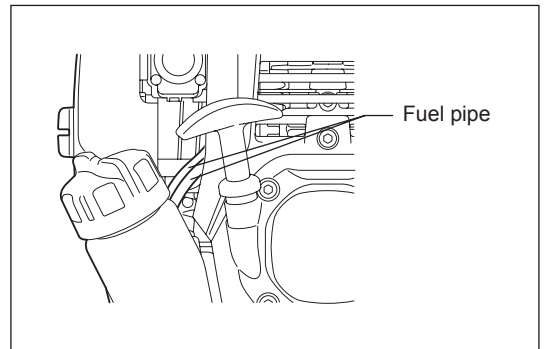


### Replacing the fuel pipe

#### CAUTION: Inflammables strictly prohibited

Check and clean the fuel pipe daily or every 10 operating hours.

Replace the fuel pipe every 200 operating hours or every year regardless of operating frequency. Otherwise fuel leakage may lead to fire. If you find any leakage during inspection, replace the fuel pipe immediately.



### INSPECTION OF BOLTS, NUTS AND SCREWS

- Retighten loose bolts, nuts, etc.
- Check for fuel and oil leakage.
- Replace damaged parts with new ones for safety operation.

### CLEANING OF PARTS

- Keep engine clean by wiping down with a cloth rag.
- Keep the cylinder fins free of dust or dirt. Dust or dirt adhering to the fins will cause piston seizure.

### REPLACEMENT OF GASKETS AND PACKINGS

Replace gaskets and packings if the engine is disassembled.

For any maintenance or adjustment not described in this manual, ask your local DOLMAR authorized service center.

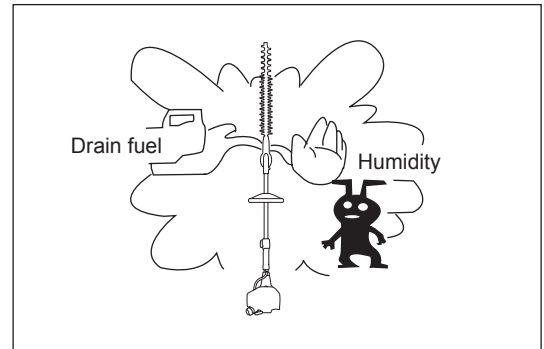
## STORAGE

**WARNING:** When draining the fuel, stop the engine and wait for the engine to cool down.

Failure to do so may cause burns or fire.

**ATTENTION:** When you store the machine for a long time, drain all fuel from the fuel tank and carburetor, and keep it at a dry and clean place.

- Drain fuel from the fuel tank and carburetor according to the following procedure:
  - 1) Remove the fuel tank cap, and drain fuel completely.  
If there is any foreign materials remaining in the fuel tank, remove it completely.
  - 2) Pull out the fuel filter from the refill port using a wire.
  - 3) Push the primer pump until fuel is drained from there, and drain fuel coming into the fuel tank.
  - 4) Reset the filter to the fuel tank, and securely tighten the fuel tank cap.
  - 5) Then, continue to operate the engine until it stops.
- Remove the spark plug, and drip several drops of engine oil through the spark plug hole.
- Gently pull the starter handle so that engine oil will spread over the engine, and attach the spark plug.
- Attach the cover to the cutting blades.
- In general, store the machine in horizontal position. If it is not possible, place the machine as the motor unit comes below the cutting tool. Otherwise engine oil may leak from inside.
- Always pay attention to storing the machine in a safe place to prevent machine damage and personal injury.
- Keep the drained fuel in a special container in a well-ventilated shade.



**Attention after long-time storage**

- Before startup after long-time shutdown, be sure to replace oil (refer to P20). Oil will deteriorate while the machine is kept out of operation.

Item	Operating time							Corresponding P
		Before operation	Daily (10h)	25h	50h	200h	Shutdown/rest	
Engine oil	Inspect	○						11
	Replace				○*1			20
Tightening parts (bolt, nut)	Inspect	○						22
Fuel tank	Clean/inspect	○						-
	Drain fuel						○*3	23
Throttle lever	Check function	○						13
Stop switch	Check function	○						13, 15
Cutting blades	Inspect	○	○					13, 18
Low-speed rotation	Inspect/adjust		○					15
Air cleaner	Clean		○					21
Ignition plug	Inspect		○					22
Cooling air duct	Clean/inspect		○					22
Fuel pipe	Inspect		○					22
	Replace					◎*2		-
Gear-case grease	Refill			○				19
Fuel filter	Clean/replace				○			22
Clearance between air intake valve and air discharge valve	Adjust					◎*2		-
Engine overhaul						◎*2		-
Carburetor	Drain fuel						○*3	23

\*1 Perform initial replacement after 20h operation.

\*2 For the 200 operating hour inspection, request Authorized Service Agent or a machine shop.

\*3 After emptying the fuel tank, continue to run the engine and drain fuel in the carburetor.



## TROUBLESHOOTING

Before making a request for repairs, check a trouble for yourself. If any abnormality is found, control your machine according to the description of this manual. Never tamper or dismount any part contrary to the description. For repairs, contact Authorized Service Agent or local dealership.

State of abnormality	Probable cause (malfunction)	Remedy
Engine does not start	Failure to operate primer pump	Push 7 to 10 times
	Low pulling speed of starter rope	Pull strongly
	Lack of fuel	Feed fuel
	Clogged fuel filter	Clean
	Broken fuel tube	Straighten fuel tube
	Deteriorated fuel	Deteriorated fuel makes starting more difficult. Replace with new one. (Recommended replacement: 1 month)
	Excessive suction of fuel	Set throttle lever from medium speed to high speed, and pull starter handle until engine starts. <b>Once engine starts, cutting blades start moving. Pay full attention to cutting blades.</b> If engine will not start still, remove spark plug, make electrode dry, and reassemble them as they originally are. Then, start as specified.
	Detached plug cap	Attach securely
	Contaminated spark plug	Clean
	Abnormal clearance of spark plug	Adjust clearance
	Other abnormality of spark plug	Replace
	Abnormal carburetor	Make request for inspection and maintenance.
	Starter rope cannot be pulled	Make request for inspection and maintenance.
	Abnormal drive system	Make request for inspection and maintenance.
Engine stops soon Engine speed does not increase	Insufficient warm-up	Perform warm-up operation
	Choke lever is set to "H" although engine is warmed up.	Set to "III"
	Clogged fuel filter	Clean or replace
	Contaminated or clogged air cleaner	Clean
	Abnormal carburetor	Make request for inspection and maintenance.
	Abnormal drive system	Make request for inspection and maintenance.
Cutting blade does not move ↓ Stop engine immediately	Inappropriate angle of cutter unit	Make sure the angle lock engages properly.
	Loosened cutting blades-tightening nut	Tighten securely
	Twigs caught by cutting blades.	Remove foreign matter
	Abnormal drive system	Make request for inspection and maintenance.
Main unit vibrates abnormally ↓ Stop engine immediately	Broken, bent or worn cutting blades	Replace cutting blades
	Loosened cutting blades-tightening nut	Tighten securely
	Abnormal drive system	Make request for inspection and maintenance.
Cutting blades do not stop immediately ↓ Stop engine immediately	High idling rotation	Adjust
	Detached throttle wire	Attach securely
	Abnormal drive system	Make request for inspection and maintenance.
Engine does not stop ↓ Run engine at idling, and set choke lever to "H"	Detached connector	Attach securely
	Abnormal electric system	Make request for inspection and maintenance.

When the engine does not start after warm-up operation:  
If there is no abnormality found for the check items, open the throttle by about 1/3 and start the engine.

Merci beaucoup d'avoir choisi le taille-haie sur perche de DOLMAR. Nous sommes heureux de vous proposer un produit qui résulte de notre long programme de développement et de nombreuses années de savoir-faire et d'expérience.

Pour obtenir en toute sécurité les meilleurs résultats possibles de votre taille-haie sur perche de DOLMAR, veuillez lire attentivement ce manuel avant d'utiliser l'appareil et suivre toutes les instructions indiquées afin de garantir le fonctionnement correct du taille-haie sur perche de DOLMAR.



## Table des matières

## Page

Symboles.....	26
Consignes de sécurité.....	27
Caractéristiques techniques.....	32
Nomenclature des pièces.....	33
Montage.....	34
Bandoulière (accessoire fourni en option).....	34
Carburant/ravitaillement.....	35
Précautions avant de démarrer le moteur.....	37
Fonctionnement du taille-haie sur perche.....	40
Entretien.....	42
Entreposage.....	47
Résolution de problèmes.....	49

## SYMBOLES

Le manuel d'instructions contient les symboles suivants.

	AVERTISSEMENT/DANGER		Prenez garde de ne pas vous pincer
	Avant d'utiliser l'appareil, lisez attentivement et comprenez parfaitement les instructions indiquées dans ce manuel.		Attention aux câbles électriques : risque de choc électrique
	INTERDICTION		Carburant (essence)
	Ne pas fumer		Démarrage manuel du moteur
	Pas de flamme nue		Arrêt d'urgence
	Porter des chaussures de sécurité		Premiers secours
	Porter des gants de sécurité		SOUS TENSION/DÉMARRAGE
	Éloigner les personnes et les animaux de la zone de travail		HORS TENSION/ARRÊT
	Porter un casque de protection, des lunettes protectrices et des protège-oreilles		

## CONSIGNES DE SÉCURITÉ

### Instructions générales

- Avant utilisation, lisez attentivement ce manuel et familiarisez-vous avec l'utilisation correcte du taille-haie sur perche. CET APPAREIL PEUT PROVOQUER DES BLESSURES GRAVES S'IL N'EST PAS UTILISÉ CORRECTEMENT !
- Lorsque vous prêtez l'appareil à une autre personne, fournissez-lui toujours des instructions détaillées sur l'utilisation correcte du taille-haie sur perche. Veillez à ce que le manuel d'instructions accompagne toujours le taille-haie sur perche.
- Si vous utilisez l'appareil pour la première fois, demandez à votre revendeur de vous fournir des instructions de base relatives au maniement du taille-haie sur perche.
- Rangez ce manuel dans un endroit où il sera facilement accessible pour que vous puissiez vous y reporter rapidement.
- Ne laissez pas les personnes âgées de moins de 18 ans utiliser le taille-haie sur perche. Toutefois, les individus de plus de 16 ans peuvent utiliser le taille-haie sur perche à des fins de formation s'ils sont sous la supervision constante d'un adulte familiarisé avec le fonctionnement des taille-haies sur perche.
- Utilisez toujours le taille-haie sur perche avec une précaution et une attention extrêmes.
- Ne tentez jamais de modifier l'appareil.
- Respectez les normes d'utilisation des taille-haies sur perche dans votre pays.
- Des blessures graves peuvent s'ensuivre si vous utilisez le taille-haie sur perche dans les cas suivants. N'utilisez pas le taille-haie sur perche :
  - Si vous vous sentez fatigué ou malade.
  - Après avoir consommé de l'alcool et/ou des médicaments.
  - La nuit ou avec de mauvaises conditions d'éclairage.
  - En cas de grossesse.

### Utilisation conforme aux prescriptions

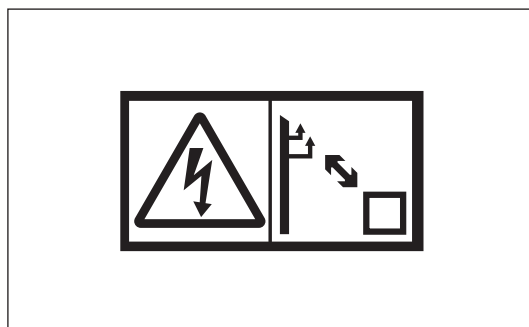
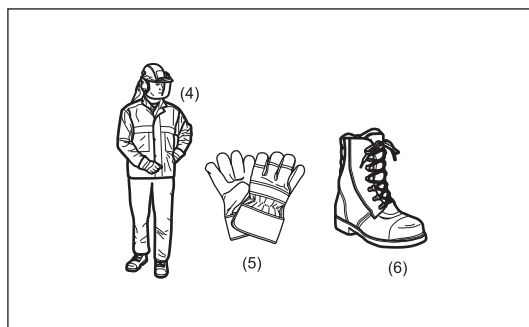
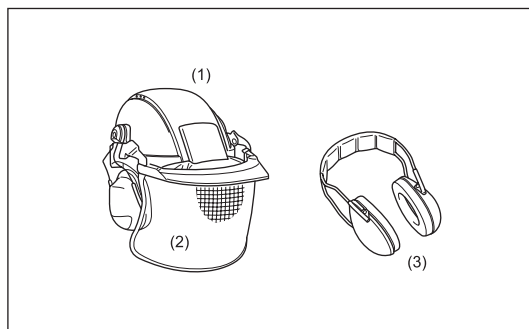
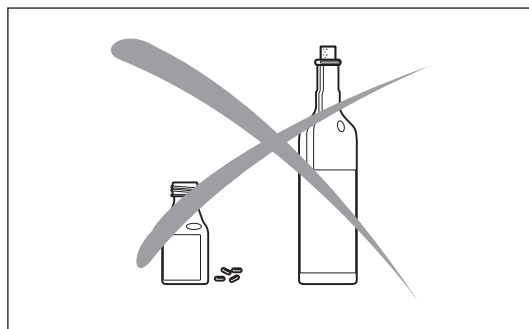
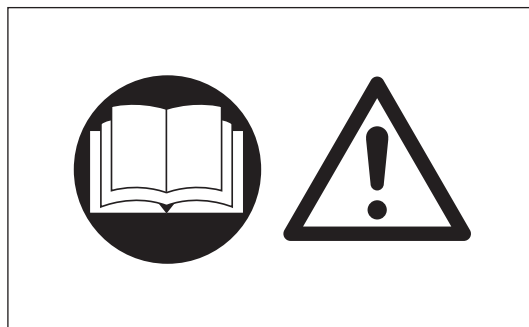
- Ce taille-haie sur perche a été conçu exclusivement pour tailler des haies et des buissons. N'utilisez pas le taille-haie sur perche à d'autres fins.

### Équipement de protection individuelle

- Les vêtements que vous portez doivent être fonctionnels et ajustés, sans gêner vos mouvements. Ne portez pas de vêtements ou de bijoux susceptibles de s'accrocher aux sous-bois ou à l'appareil.
- Pour protéger convenablement votre tête, vos yeux, vos pieds et vos mains de toute blessure et vous prémunir de troubles de l'audition, vous devez utiliser l'équipement de protection individuelle et les vêtements suivants lors de l'utilisation du taille-haie sur perche.
- Pour éviter de vous blesser la tête ou les yeux, portez toujours un casque de protection (1) muni de lunettes de sécurité ou d'un écran (2).
- Pour éviter les troubles de l'audition, portez en permanence un casque anti-bruit (3).
- Il est fortement recommandé d'utiliser une combinaison de travail bien ajustée (4).
- Portez toujours des gants de travail en cuir renforcé (5) lors de l'utilisation du taille-haie sur perche.
- Lorsque vous utilisez le taille-haie sur perche, portez toujours des chaussures de sécurité (6) avec semelle antidérapante. Les chaussures de travail spéciales garantissent une bonne stabilité et protègent contre les blessures.
- Lorsque vous touchez les lames ou le bloc des lames, portez des gants de protection. Vous risqueriez de vous couper grièvement les mains.

### Sécurité de la zone de travail

- **⚠ DANGER** : Gardez le taille-haie sur perche à distance des lignes électriques et des câbles de télécommunications. Toucher, ou simplement approcher, des lignes à haute tension avec le taille-haie sur perche peut entraîner la mort ou des blessures graves. Avant de commencer l'élagage, recherchez les lignes et clôtures électriques situées autour de la zone de travail.
- Ne démarrez le moteur et n'utilisez l'appareil qu'en extérieur dans une zone bien ventilée. Le fonctionnement de l'outil dans une zone confinée ou mal ventilée peut entraîner la mort par suffocation ou empoisonnement au monoxyde de carbone.
- Lors du fonctionnement de l'outil, éloignez les spectateurs, en particulier les enfants et les animaux, à au moins 15 m du taille-haie sur perche. Arrêtez le moteur dès qu'une personne s'approche.
- Avant l'utilisation, recherchez les éventuels clôtures en fils de fer, pierres ou autres objets solides présents dans la zone de travail. Ils risqueraient d'endommager les lames.
- **⚠ AVERTISSEMENT** : l'utilisation de ce produit peut entraîner la création de poussière contenant des produits chimiques susceptibles de provoquer des maladies respiratoires ou autres. Parmi ces produits chimiques figurent les composés présents dans les pesticides, les insecticides, les engrais et les herbicides. Les risques entraînés par l'exposition à ces produits varient suivant la fréquence d'exécution de ce type de travaux. Pour réduire votre exposition à ces produits chimiques : travaillez dans une zone bien ventilée et avec un équipement de sécurité agréé, tel qu'un masque à poussière spécialement conçu pour filtrer les particules microscopiques.



## Démarrage du taille-haie sur perche

- Avant d'assembler ou de régler l'appareil, éteignez le moteur et retirez le protecteur de bougie.
- Avant de démarrer le taille-haie sur perche, assurez-vous toujours que l'appareil est en état de fonctionner en toute sécurité.
- N'essayez jamais de démarrer le moteur si le matériel est endommagé.
- Vérifiez le fonctionnement du mécanisme de sécurité du levier d'accélérateur. Le levier de verrouillage doit pouvoir être actionné facilement et sans à-coups. Assurez-vous que le levier de verrouillage fonctionne correctement. Vérifiez que les poignées sont propres et sèches et testez l'interrupteur STOP pour vous assurer qu'il fonctionne correctement.

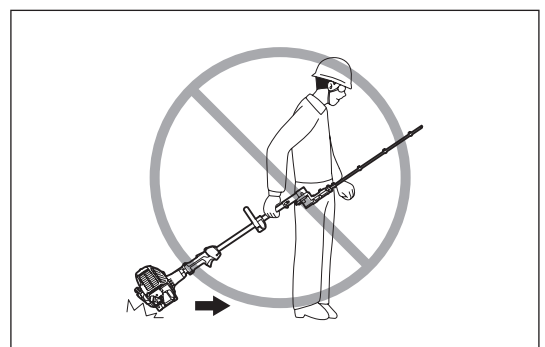
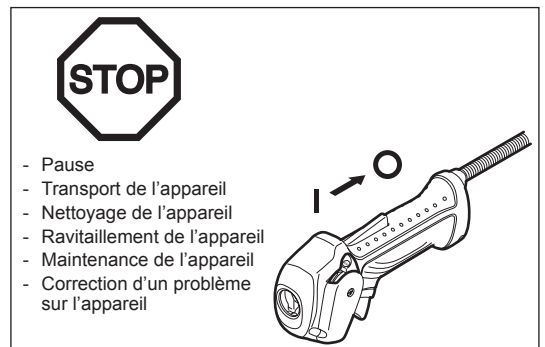
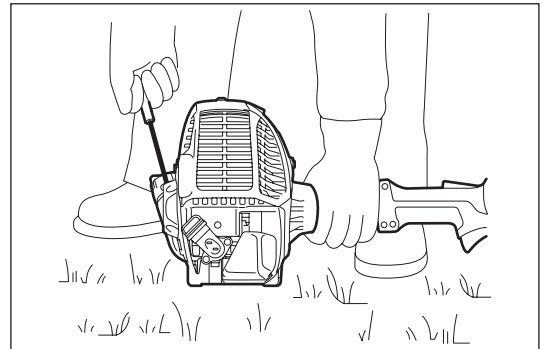
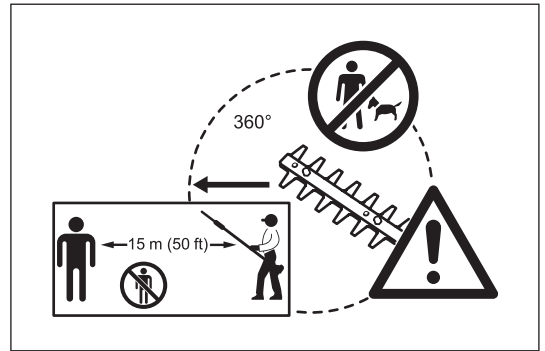
Démarrez toujours le taille-haie sur perche conformément aux instructions fournies dans ce manuel d'instructions.

## Suivez les instructions ci-dessous pour démarrer le taille-haie sur perche

- Démarrez le taille-haie sur perche uniquement après avoir assemblé complètement l'appareil et fixé tous les accessoires.
- Lorsque vous démarrez le moteur, maintenez les lames éloignées de votre corps et de tout objet, y compris du sol. Les lames pourraient bouger au démarrage et provoquer des blessures graves, être endommagées et/ou endommager d'autres objets.
- Avant de démarrer le moteur, assurez-vous que les lames de coupe ne sont pas gênées par des corps étrangers, tels que des pierres, des branches, etc.
- En cas de problème du moteur, arrêtez-le immédiatement.
- Au moment de tirer sur le bouton du démarreur, maintenez fermement le matériel contre le sol avec votre main gauche. Ne montez jamais sur l'arbre d'entraînement.
- Au ralenti, si les lames tournent, coupez le moteur et réduisez la vitesse.
- Lors du fonctionnement du taille-haie sur perche, tenez toujours fermement les deux poignées. Serrez étroitement votre pouce et votre index autour de chaque poignée. Pour garder constamment le contrôle du taille-haie sur perche, évitez de changer de prise pendant l'utilisation. Assurez-vous que les poignées de commande sont en bon état et dépourvues d'humidité, de boue, d'huile ou de graisse.

## Assurez-vous toujours d'avoir une bonne stabilité

- Coupez toujours immédiatement le moteur et cessez d'utiliser l'appareil en cas de problème du moteur ou si l'appareil commence à émettre des bruits anormaux.
- Les fumées d'échappement sont toxiques. N'utilisez jamais l'appareil dans une pièce confinée ou sous un tunnel sans ventilation (risque de suffocation et d'intoxication par les gaz). Notez que le monoxyde de carbone est un gaz inodore. Assurez-vous toujours que les lieux dans lesquels l'appareil est utilisé sont correctement ventilés.
- Coupez le moteur lorsque vous faites une pause ou lorsque vous laissez le taille-haie sur perche sans surveillance. Placez l'appareil en lieu sûr et assurez-vous qu'aucun matériau combustible ne se trouve à proximité.
- Ne placez jamais un taille-haie sur perche chaud sur de l'herbe sèche ou sur un matériau combustible.
- Pour réduire les risques d'incendie, dégagez le moteur et le silencieux des débris, des feuilles ou d'un excès de lubrifiant.
- Ne faites jamais fonctionner le moteur si le silencieux est défectueux.
- Coupez le moteur avant de transporter l'appareil.
- Éteignez toujours le moteur lorsque vous :
  - Pause
  - Transport de l'appareil
  - Nettoyage de l'appareil
  - Ravitaillement de l'appareil
  - Maintenance de l'appareil
  - Correction d'un problème sur l'appareil
- Lorsque vous transportez l'appareil, placez-le en position horizontale en tenant l'arbre. Gardez le pot d'échappement chaud éloigné de votre corps.
- Lors du transport de l'appareil dans un véhicule, fixez toujours solidement le taille-haie sur perche pour éviter toute fuite de carburant résiduel.
- Videz toujours le réservoir de carburant avant de transporter le taille-haie sur perche dans un véhicule.
- Lors du déchargement de l'appareil d'un véhicule, veillez tout particulièrement à ne pas laisser tomber le taille-haie sur perche par terre, au risque d'endommager grièvement le réservoir de carburant.
- Sauf en cas d'urgence, ne laissez jamais tomber le taille-haie sur perche, au risque de l'endommager grièvement.
- Lors du transport du taille-haie sur perche, soulevez toujours complètement l'appareil afin qu'il ne touche plus le sol. Ne faites jamais glisser le moteur sur le sol, au risque d'endommager le réservoir de carburant, voire de déclencher un incendie.
- Utilisez toujours le couvercle du dispositif de coupe fourni pour protéger et sécuriser la section de coupe du taille-haie sur perche pendant son transport et son stockage.
- En cas de chute ou d'impact de l'appareil, vérifiez qu'il est en bon état avant de poursuivre le travail. Vérifiez qu'il n'y a pas de fuite de carburant dans le circuit d'alimentation, et que les commandes et dispositifs de sécurité fonctionnent correctement. En cas de dommage ou de doute, demandez à notre centre d'entretien agréé d'examiner et de réparer l'outil.

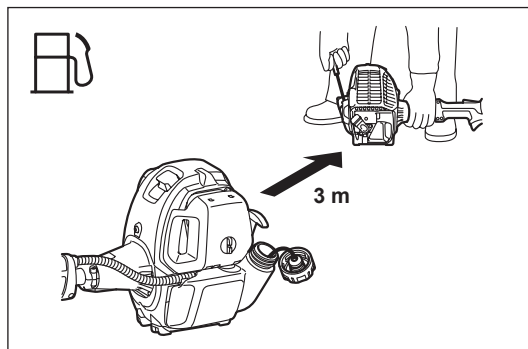
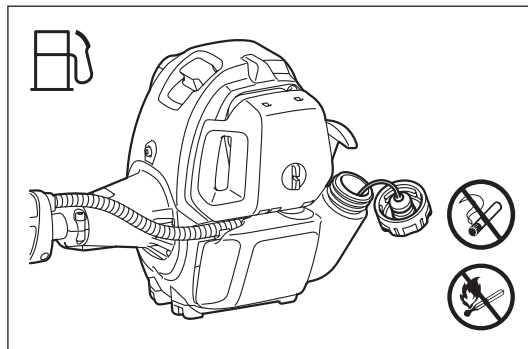


## Ravitaillement en carburant

- Avant de procéder au ravitaillement, arrêtez le moteur.
- Ne procédez jamais au ravitaillement à proximité de flammes nues.
- Ne fumez pas lors du ravitaillement.
- Laissez toujours suffisamment de temps au moteur pour refroidir avant de procéder au ravitaillement.
- Veillez à ce que votre peau n'entre pas en contact avec des produits pétroliers. Ne respirez pas les fumées d'essence et portez toujours des gants de protection lors du ravitaillement. Changez et nettoyez régulièrement les vêtements de protection.
- Veillez tout particulièrement à éviter de renverser de l'essence et de l'huile afin d'éviter de contaminer le sol (protection de l'environnement). Si de l'essence ou de l'huile s'est déversée sur le taille-haie sur perche, essuyez immédiatement sa surface avec un chiffon. Pour éviter toute combustion spontanée, laissez toujours sécher suffisamment les chiffons mouillés avant de les jeter dans un conteneur adapté et fermé.
- Veillez à ce que le carburant n'entre pas en contact avec vos vêtements. Changez immédiatement de vêtements s'ils ont été contaminés par du carburant (risque d'incendie).
- Fermez le réservoir de carburant et serrez à fond le bouchon du réservoir de carburant. Pour redémarrer le moteur, éloignez le taille-haie sur perche à au moins 3 mètres du lieu de ravitaillement.
- Vérifiez régulièrement le bouchon du réservoir de carburant pour vous assurer qu'il est bien serré.
- Ne procédez jamais au ravitaillement dans une pièce fermée. Les vapeurs de carburant s'accumulent au niveau du sol (risque d'explosion).
- Rangez le carburant dans des conteneurs adaptés uniquement et assurez-vous que le carburant stocké est hors de portée des enfants.

## Fonctionnement

- En cas d'urgence, coupez immédiatement le moteur.
- En cas de situation anormale (par exemple du bruit, des vibrations) pendant le fonctionnement, éteignez le moteur. N'utilisez pas le taille-haie sur perche avant d'avoir déterminé et corrigé la cause du problème.
- Lorsque vous relâchez la commande d'accélérateur ou coupez le moteur, les lames tournent encore quelques instants. Ne touchez pas immédiatement aux lames.
- Ne tentez jamais d'utiliser l'appareil avec une seule main. Une perte de contrôle pourrait entraîner des blessures graves ou mortelles. Pour réduire les risques de coupures, éloignez vos mains et vos pieds des lames.
- Pendant l'utilisation, gardez votre main droite sous la hauteur de l'épaule. Dans le cas contraire, vous risquez de perdre le contrôle de l'appareil et vous blesser.
- Pendant l'utilisation, ne heurtez jamais les lames contre des obstacles durs, tels que des pierres et des objets métalliques. Soyez particulièrement vigilant lors de la taille des haies situées à côté ou contre des clôtures en fils de fer. Lorsque vous travaillez près du sol, assurez-vous qu'il n'y a pas de sable, de gravier ou de pierres qui s'introduisent entre les lames.
- Si les lames entrent en contact avec des pierres ou d'autres objets durs, arrêtez immédiatement le moteur, et vérifiez si les lames sont endommagées, après avoir retiré le protecteur de bougie. Remplacez les lames si elles sont endommagées.
- Ne touchez jamais les lames et ne vous en approchez pas lorsqu'elles tournent. Vous pourriez aisément vous couper les doigts. Lorsque vous manipulez la lame ou vous en approchez, arrêtez le moteur et retirez le protecteur de bougie.
- Si de grosses branches restent coincées entre les lames, coupez immédiatement le moteur, posez le taille-haie sur perche, et retirez l'obstacle après avoir retiré le protecteur de bougie. Vérifiez si des lames sont endommagées, avant d'utiliser à nouveau le matériel.
- Si vous accélérez alors que les lames sont bloquées, vous augmentez la charge et risquez d'endommager le moteur et/ou l'embrayage.
- Lors de l'utilisation, vérifiez fréquemment que les lames de coupe ne présentent pas de fissures et que leurs bords ne sont pas émoussés. Avant l'examen, éteignez le moteur et attendez que les lames s'arrêtent complètement. Remplacer immédiatement les lames endommagées ou émoussées, même si elles ne présentent que des fissures superficielles.
- Ne touchez pas le carter d'engrenage. Le carter d'engrenage devient chaud lors du fonctionnement.
- Reposez-vous pour éviter toute perte de contrôle due à la fatigue. Il est recommandé de faire une pause de 10 à 20 minutes toutes les heures.
- Avant de tailler, tirez complètement le levier d'accélérateur pour atteindre la vitesse maximale.
- Tenez toujours le taille-haie sur perche avec les deux mains pendant son fonctionnement.
- Utilisez le taille-haie sur perche uniquement lorsque les conditions d'éclairage et la visibilité sont bonnes. Méfiez-vous des zones glissantes et mouillées (verglas et neige) en hiver (risque de glissade) et gardez toujours une bonne position d'équilibre.
- N'utilisez jamais le taille-haie sur perche lorsque vous vous tenez sur une surface instable ou sur une pente abrupte.
- N'utilisez jamais le taille-haie sur perche lorsque vous vous trouvez sur une échelle.
- Ne grimpez jamais dans un arbre pour utiliser le taille-haie sur perche.
- Pour éviter de trébucher ou de tomber sur des objets, ne marchez jamais à reculons lors de l'utilisation du taille-haie sur perche.
- Coupez toujours le moteur avant de nettoyer l'appareil ou de procéder à son entretien. Évitez également de remplacer des pièces avant que le moteur soit à l'arrêt.
- Ne faites pas fonctionner le taille-haie sur perche si le bloc de coupe est endommagé ou usé.



## Vibrations

- Les personnes souffrant de troubles circulatoires peuvent subir des blessures au niveau des vaisseaux sanguins ou du système nerveux si elles sont exposées à des vibrations excessives. Les vibrations peuvent entraîner les symptômes suivants aux doigts, mains ou poignets : engourdissement, picotements, douleur, sensation lancinante, changement de couleur de la peau ou altération de la peau. Si l'un ou l'autre de ces symptômes apparaît, consultez un médecin !
- Pour réduire le risque de « maladie des doigts blancs », gardez vos mains au chaud lors de l'utilisation et entretenez bien le matériel et les accessoires.

## Instructions d'entretien

- Faites entretenir votre matériel par notre centre d'entretien agréé, en utilisant toujours des pièces de rechange d'origine. Une mauvaise réparation et un entretien faible peuvent raccourcir la durée de vie du matériel et augmenter le risque d'accident.
- Efforcez-vous toujours de maintenir la pollution et les émissions sonores les plus basses possibles lors de l'utilisation du taille-haie sur perche. Veillez particulièrement à régler correctement le carburateur.
- Nettoyez régulièrement le taille-haie sur perche et vérifiez périodiquement que tous les écrous et boulons sont bien serrés.
- Ne procédez jamais à l'entretien du taille-haie sur perche et ne le rangez pas à proximité de flammes nues, d'étincelles, etc.
- N'essayez jamais de réparer les lames déformées ou cassées en les redressant ou en les soudant. Cela pourrait entraîner le décrochage des lames et provoquer des blessures graves. Contactez un centre d'entretien agréé DOLMAR pour les faire remplacer par des lames DOLMAR d'origine.
- Pour éviter tout autre dommage et/ou blessure corporelle, ne réparez pas un taille-haie sur perche qui fonctionne mal si vous n'êtes pas qualifié pour le faire. Pour les réparations, contactez toujours votre revendeur ou un agent d'entretien agréé.

N'essayez pas de modifier ou de transformer le taille-haie sur perche, au risque d'affecter la sécurité pendant son fonctionnement.

Les tâches de maintenance qui peuvent être effectuées par l'utilisateur sont limitées aux activités décrites dans ce manuel d'instructions. Toutes les autres procédures doivent être exécutées par un agent d'entretien agréé.

Faites examiner et entretenir régulièrement le taille-haie sur perche par un centre d'entretien agréé DOLMAR.

Utilisez uniquement des pièces de rechange et des accessoires d'origine fournis par des centres d'entretien agréés DOLMAR.

L'utilisation d'accessoires et d'outils non agréés peut accroître les risques d'accident et de blessure. DOLMAR n'assume aucune responsabilité en cas d'accident ou de dommage résultant de l'utilisation d'accessoires et de pièces non agréés.

## Entreposage

- Avant d'entreposer l'appareil, procédez à son nettoyage et son entretien complets. Installez le protège-lame.
- Videz le réservoir de carburant avant d'entreposer le taille-haie sur perche et rangez toujours ce dernier dans une pièce verrouillée bien ventilée. Assurez-vous que le taille-haie sur perche est constamment hors de portée des enfants.
- N'appuyez pas l'appareil contre un support, tel qu'un mur. Le taille-haie sur perche pourrait tomber subitement et provoquer des blessures.

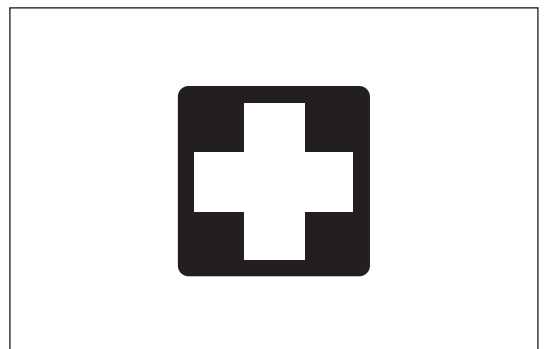
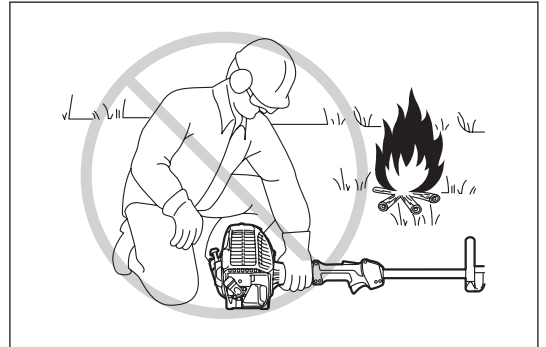
## Premiers secours

Par précaution dans l'éventualité d'un accident, veillez à toujours disposer d'un kit de premiers secours parfaitement approvisionné.

Remplacez dès que possible tous les articles pris dans le kit de premiers secours.

## En cas d'urgence, lorsque vous demandez de l'aide, indiquez les informations suivantes :

- Lieu de l'accident
- Ce qui s'est passé
- Nombre de personnes blessées
- Étendue des blessures
- Votre nom



**Pour les pays d'Europe uniquement**

**Déclaration de conformité CE**

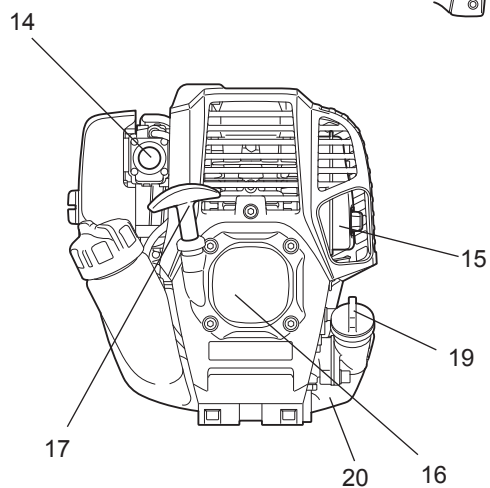
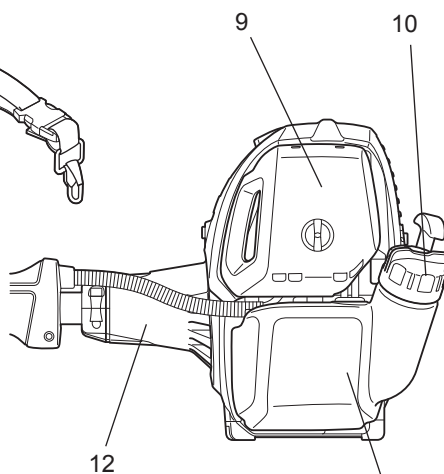
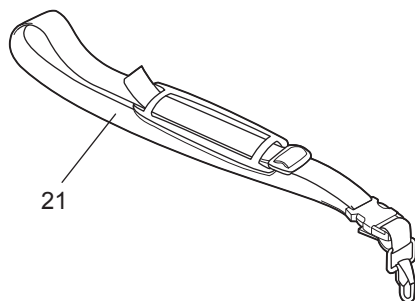
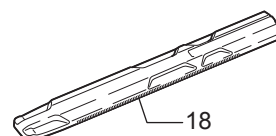
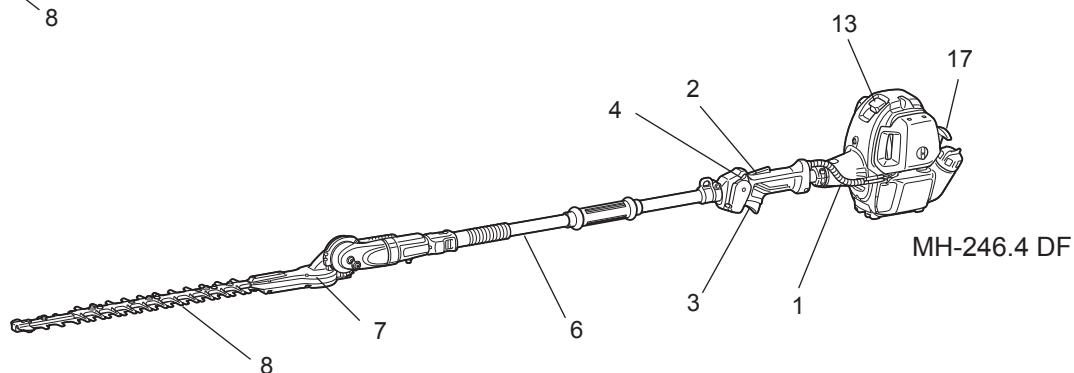
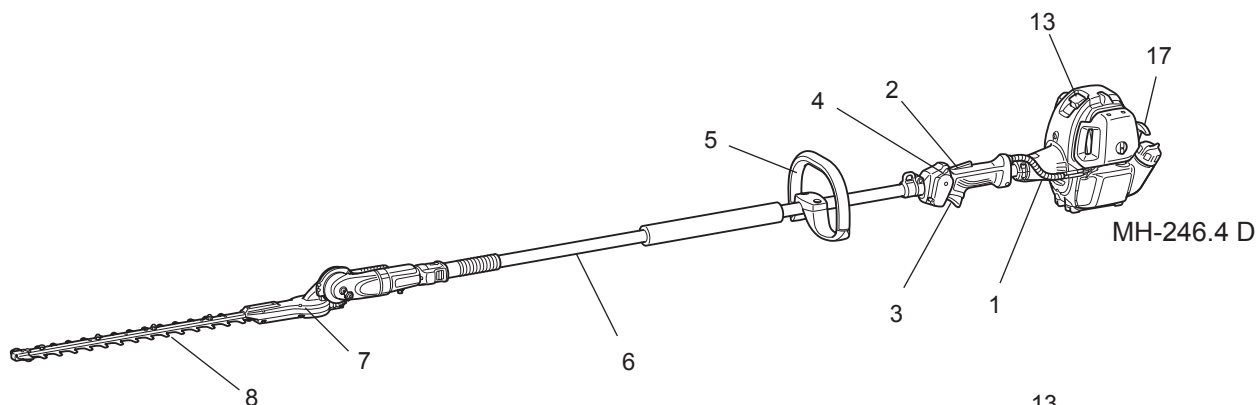
La Déclaration de conformité CE figure en Annexe A du présent mode d'emploi.

## CARACTÉRISTIQUES TECHNIQUES

Modèle	MH-246.4 D		MH-246.4 DF	
	Poignée fermée		Poignée droite	
Dimensions (L x P x H)	2 550 mm x 242 mm x 241 mm		2 050 mm x 221 mm x 241 mm	
Poids net	6,9 kg		6,6 kg	
Volume (réservoir de carburant)	0,6 l			
Longueur de coupe	490 mm			
Diamètre maximal des branches	7 mm			
Cadence de coupe	4 200 min <sup>-1</sup>			
Type de moteur	À refroidissement par air, 4 temps, un seul cylindre			
Déplacement du moteur	25,4 cm <sup>3</sup>			
Performances maximales du moteur	0,77 kW à 7 000 min <sup>-1</sup>			
Vitesse du moteur à la vitesse de l'axe max. recommandée	10 000 min <sup>-1</sup>			
Consommation de carburant	0,33 kg/h			
Consommation d'essence spécifique	408 g/kWh			
Ralenti	3 000 min <sup>-1</sup>			
Vitesse d'engagement de l'embrayage	4 400 min <sup>-1</sup>			
Carburateur (Carburateur du diaphragme)	Type de diaphragme			
Bougie d'allumage	type	NGK CMR4A		
Distance entre les électrodes	0,7 - 0,8 mm			
		Vibrations conformément à la norme ISO 10517	Vibrations conformément à la norme ISO 10517	
Poignée droite (prise arrière)	a <sub>nv eq</sub>	8,5 m/s <sup>2</sup>	7,0 m/s <sup>2</sup>	
	Incertitude K	1,3 m/s <sup>2</sup>	3,1 m/s <sup>2</sup>	
Poignée gauche (prise avant)	a <sub>nv eq</sub>	6,4 m/s <sup>2</sup>	5,1 m/s <sup>2</sup>	
	Incertitude K	2,6 m/s <sup>2</sup>	1,5 m/s <sup>2</sup>	
		Bruit selon la norme ISO 10517	Bruit selon la norme ISO 10517	
Niveau de pression sonore	90 dB (A)		90,2 dB (A)	
Incertitude K	1,8 dB (A)		1,0 dB (A)	
Niveau de puissance sonore	103,0 dB (A)		104,1 dB (A)	
Incertitude K	1,0 dB (A)		0,4 dB (A)	
Carburant	Essence automobile			
Huile moteur	Huile de classe API, classe SF ou supérieure ou huile SAE 10W-30 (huile moteur 4 temps pour automobile)			
Rapport de vitesse	1/4,78			



## NOMENCLATURE DES PIÈCES



Nomenclature des pièces	
1	Accélérateur
2	Levier de verrouillage
3	Levier d'accélérateur
4	Interrupteur d'arrêt
5	Poignée
6	Arbre
7	Boîte de vitesses
8	Lame de coupe
9	Filtre à air
10	Bouchon du réservoir de carburant
11	Réservoir de carburant
12	Carter d'embrayage
13	Protecteur de bougie
14	Pompe d'amorçage
15	Silencieux
16	Lanceur à rappel
17	Bouton de démarrage
18	Protège-lame
19	Bouchon d'huile
20	Réservoir d'huile
21	Bandoulière (accessoire fourni en option)

## MONTAGE

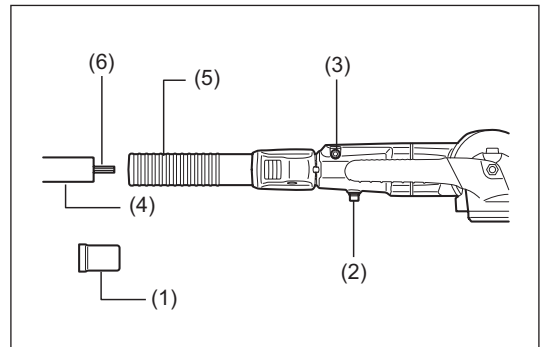
### ⚠ AVERTISSEMENT :

- Vérifiez que le moteur est éteint et retirez le protecteur de bougie avant d'assembler le taille-haie sur perche.
- Portez des gants de sécurité !
- Lors du raccordement du bloc du taille-haie à la perche, sécurisez les lames de coupe avec le protège-lame fourni.

1. Retirez le capuchon (1) de l'arbre.
2. Desserrez le boulon M5 x 16 (2) et le boulon M5 x 25 (3).
3. Insérez l'arbre (4) dans le carter (5).

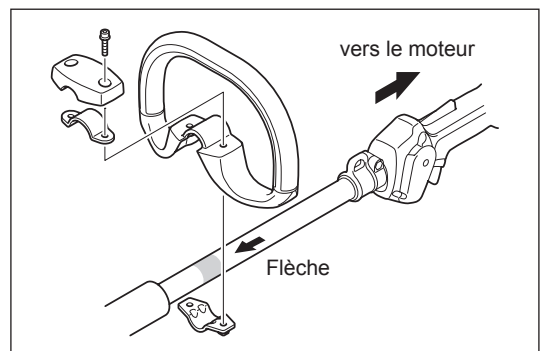
REMARQUE : Assurez-vous que l'arbre est complètement inséré dans le carter (environ 237 mm/ 9-3/8").  
Si vous rencontrez des difficultés lors de l'insertion de l'arbre, faites pivoter manuellement légèrement l'axe d'entraînement (6) et réessayez.

4. Assurez-vous que l'arbre est correctement inséré, puis serrez le boulon M5 x 16 et le boulon M5 x 25.



### FIXATION DE LA POIGNÉE (pour MH-246.4 D)

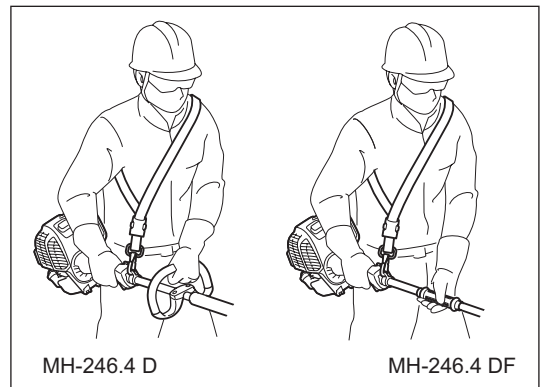
- Fixez la poignée fermée sur l'arbre, comme illustré.
- Pour maintenir une distance appropriée entre les prises, placez la poignée fermée à l'avant des flèches.



## BANDOULIÈRE (accessoire fourni en option)

### Comment porter la bandoulière

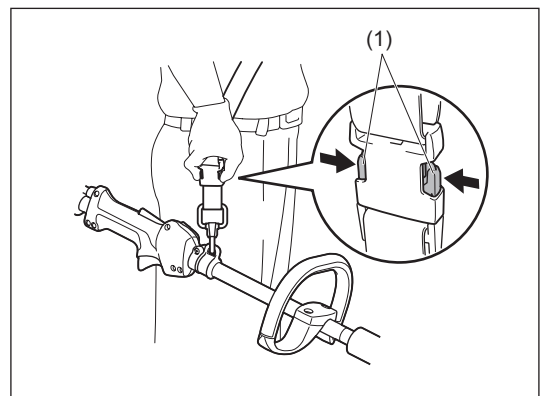
- Portez la bandoulière sur l'épaule gauche.
- Laissez le taille-haie sur perche sur le côté droit du corps.
- Fixez la bandoulière au crochet de suspension fourni sur le taille-haie sur perche et réglez la longueur de la bandoulière de manière à pouvoir travailler confortablement.



### Détachement

- En cas d'urgence, appuyez sur les entailles (1) des deux côtés pour vous séparer de la machine.  
Veillez à garder le contrôle de l'outil à ce moment-là. Ne le laissez pas dévier vers vous ou quiconque situé à proximité.

AVERTISSEMENT : En perdant le contrôle de la machine, vous risquez de provoquer des blessures corporelles graves ou la MORT.



## AVANT DE COMMENCER

### Inspection et remplissage de l'huile moteur

- Lorsque le moteur est froid, procédez comme suit.
- Réglez le niveau du moteur, retirez le capuchon d'huile (Fig. 1) et vérifiez l'absence d'huile dans la plage comprise entre les repères des limites supérieure et inférieure du tuyau d'huile (Fig. 2).
- Si la quantité d'huile est insuffisante (le niveau d'huile est proche du repère de limite inférieure) (Fig. 3), remplissez d'huile jusqu'au repère de limite supérieure.
- La zone proche des repères externes est transparente, donc la quantité d'huile à l'intérieur peut être vérifiée sans qu'il soit nécessaire de retirer le bouchon d'huile. Toutefois, si le tuyau d'huile devient extrêmement encrassé, vous risquez d'avoir une mauvaise visibilité et de devoir vérifier le niveau d'huile par rapport à la section décrochée sur l'intérieur du tuyau d'huile.
- À titre d'information, la durée de remplissage de l'huile est de 10 heures environ (tous les 10 remplissages). Si l'huile change de couleur ou contient de la saleté, remplacez-la. (Pour la fréquence et la méthode de vidange, référez-vous à la page 44)

**Huile recommandée :** Huile SAE 10W-30 de classe API, Classe SF ou supérieure (moteur 4 temps pour automobile)

**Volume d'huile :** 0,08 l environ

**REMARQUE :** Si le moteur n'est pas à la verticale, de l'huile peut se déverser autour du moteur, et le remplissage peut être excessif. Si le niveau d'huile est rempli au-delà de la limite, l'huile peut être contaminée ou risque de s'enflammer en provoquant de la fumée blanche.

### Point n°1 du remplacement de l'huile : « bouchon d'huile »

- Retirez la poussière ou les saletés entourant l'orifice du réservoir d'huile, puis retirez le bouchon d'huile.
- Veillez à ce que le bouchon d'huile n'entre pas en contact avec du sable ou de la poussière. Dans le cas contraire, les impuretés adhérant au bouchon d'huile pourraient empêcher la bonne circulation de l'huile ou abîmer des pièces du moteur, provoquant des problèmes.

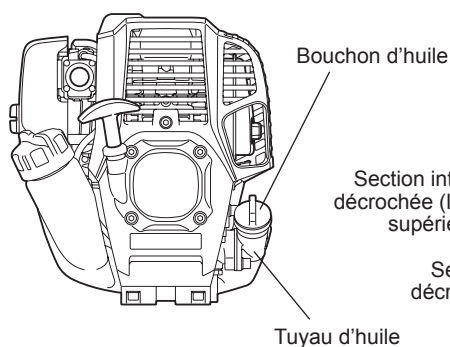


Fig. 1

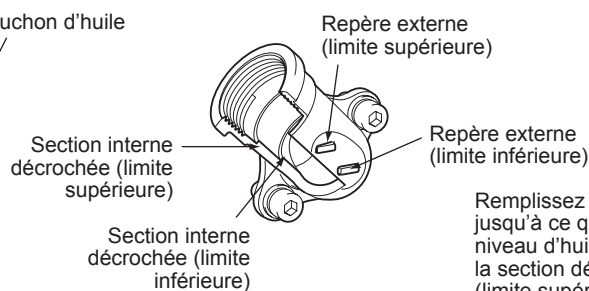


Fig. 2 Tuyau d'huile

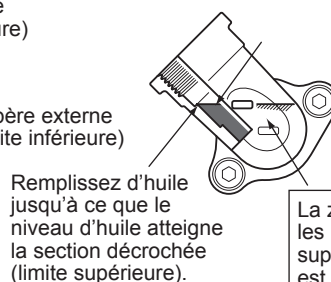
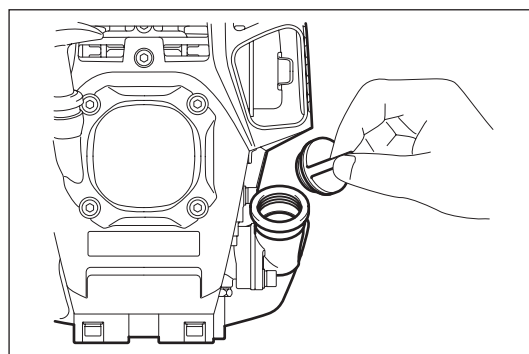


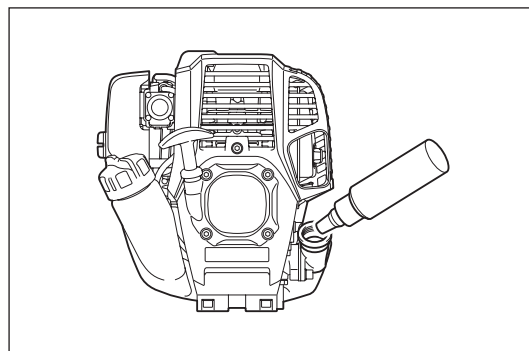
Fig. 3

La zone située entre les limites externes supérieure et inférieure est transparente, donc le niveau d'huile peut être vérifié à l'extérieur par rapport à ces repères.

(1) Gardez le moteur à plat et enlevez le bouchon d'huile.



(2) Remplissez d'huile jusqu'au repère de limite supérieure. (voir Fig. 3)  
Utilisez une bouteille d'huile lors du remplissage.



(3) Serrez fermement le bouchon d'huile. Un serrage insuffisant peut provoquer une fuite d'huile.

#### Remarque

- Ne remplacez pas l'huile lorsque le moteur est en position inclinée.
- Le remplissage d'huile avec le moteur incliné risque de provoquer un remplissage trop important, entraînant la contamination de l'huile et/ou de la fumée blanche.

#### Point n°2 du remplacement de l'huile : « En cas de débordement d'huile »

- Si de l'huile se répand entre le réservoir de carburant et le bloc principal du moteur, elle risque d'être aspirée dans le port d'entrée de l'air de refroidissement, contaminant le moteur. Veillez à nettoyer l'huile qui a débordé avant toute utilisation.

## RAVITAILLEMENT EN CARBURANT

### Manipulation du carburant

Veillez à manipuler le carburant avec la plus grande prudence. Il peut contenir des substances similaires aux solvants. Pour faire le plein, placez-vous dans une pièce suffisamment ventilée ou à l'extérieur. N'inhalez jamais les vapeurs de carburant et restez à distance du carburant. En cas de contact répété ou prolongé de votre peau avec du carburant, elle peut se dessécher, entraînant des maladies de peau ou des allergies. En cas de contact du carburant avec un œil, rincez celui-ci à l'eau claire. Si votre œil reste irrité, consultez votre médecin.

### Durée de stockage du carburant

Le carburant doit être utilisé dans les 4 semaines, même s'il est conservé dans un bidon spécial dans un endroit ombragé et bien ventilé. Dans le cas contraire, le carburant risque de se détériorer en une journée.

### STOCKAGE DE LA MACHINE ET REMPLISSAGE DU RÉSERVOIR

- Conservez la machine et le réservoir dans un endroit frais et abrité des rayons directs du soleil.
- Ne conservez jamais de carburant dans un véhicule.

### Carburant

Le moteur est un moteur à quatre temps. Veillez à utiliser de l'essence automobile sans plomb à indice d'octane 87 ou supérieur ((R+M)/2). Elle peut contenir 10 % d'alcool au maximum (E-10).

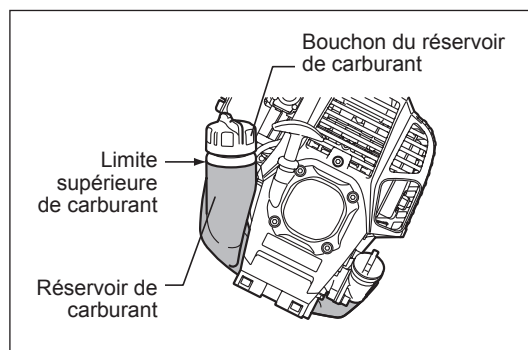
### Avertissements concernant le carburant

- N'utilisez jamais de mélange de carburant contenant de l'huile moteur. Cela pourrait créer une accumulation excessive de carbone ou des pannes mécaniques.
- L'utilisation d'huile détériorée peut provoquer des démarrages irréguliers du moteur.

### Ravitaillement en carburant

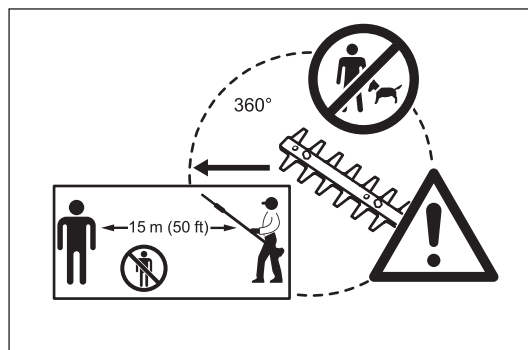
#### AVERTISSEMENT : PRODUITS INFLAMMABLES STRICTEMENT INTERDITS

- Desserrez légèrement le bouchon du réservoir pour libérer la pression de celui-ci.
  - Retirez le bouchon du réservoir et remplissez le réservoir de carburant en l'inclinant de manière à en chasser l'air, l'orifice dirigé vers le haut. (NE remplissez PAS le réservoir de carburant jusqu'au bord.)
  - Essuyez bien le tour du bouchon du réservoir pour éviter l'introduction de tout corps étranger dans le réservoir de carburant.
  - Après avoir fait le plein, serrez à fond le bouchon du réservoir.
- 
- En cas de défaut ou de dommages au niveau du bouchon du réservoir, remplacez-le.
  - Au fil du temps, le bouchon du réservoir s'use. Remplacez-le tous les deux à trois ans.



## PRÉCAUTIONS AVANT DE DÉMARRER LE MOTEUR

- Maintenez toujours une zone de sécurité d'un diamètre de 15 mètres autour de la zone de travail. Veillez à ce que toutes les personnes (en particulier, les enfants) et/ou les animaux demeurent en-dehors de cette zone.
- Avant d'utiliser le taille-haie sur perche, assurez-vous que l'appareil est en état de fonctionner en toute sécurité. Vérifiez que les lames de coupe ne sont pas endommagées et que le levier d'accélérateur fonctionne aisément. Assurez-vous que les lames de coupe ne fonctionnent pas lorsque le moteur tourne au ralenti. Si l'appareil ne fonctionne pas normalement, contactez votre revendeur afin qu'il procède à son réglage. Assurez-vous que les poignées sont propres et sèches et testez l'interrupteur I-O pour vérifier s'il fonctionne correctement. Démarrez le moteur conformément aux instructions indiquées dans le présent manuel exclusivement. N'utilisez pas d'autres méthodes pour démarrer le taille-haie sur perche.
- Démarrez le moteur du taille-haie sur perche uniquement après avoir lu et parfaitement compris les instructions. N'essayez jamais de démarrer un taille-haie sur perche qui n'est pas entièrement monté. Vous pourriez vous blesser grièvement.
- Avant de démarrer le moteur, assurez-vous toujours que les lames de coupe ne sont pas gênées par des pierres, des branches ou tout autre objet solide.
- Vérifiez que la zone de travail ne comporte pas de fils, cordon, verre ou autres corps étrangers susceptibles d'être happés par les lames de coupe.
- Choc électrique : méfiez-vous de tous les câbles électriques situés à proximité. Avant de commencer le travail, vérifiez si l'ensemble de la zone de travail possède des lignes électriques et des clôtures électriques.



## AVERTISSEMENTS CONCERNANT LE FONCTIONNEMENT ET LA PROCÉDURE D'ARRÊT

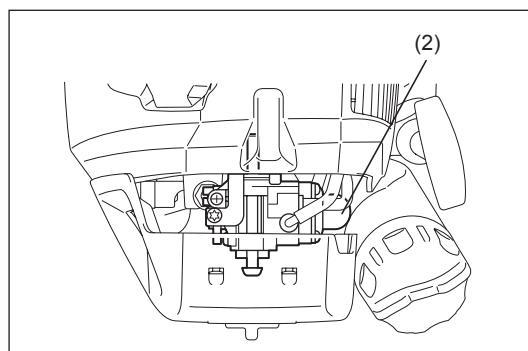
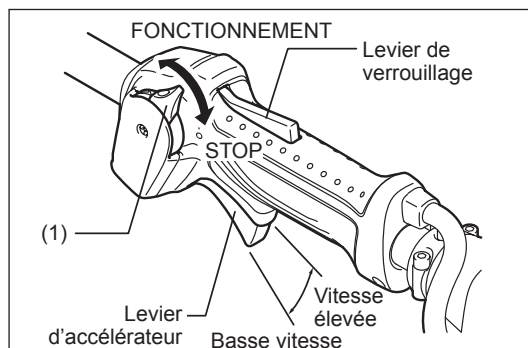
Respectez les réglementations en vigueur en matière de prévention des accidents !

### DÉMARRAGE

Déplacez-vous d'au moins 3 mètres de l'endroit où vous avez procédé au ravitaillement en carburant. Déposez le taille-haie sur perche sur un endroit propre, en veillant à ce que les lames de coupe n'entrent pas en contact avec le sol ou tout autre objet.

#### A : Démarrage à froid

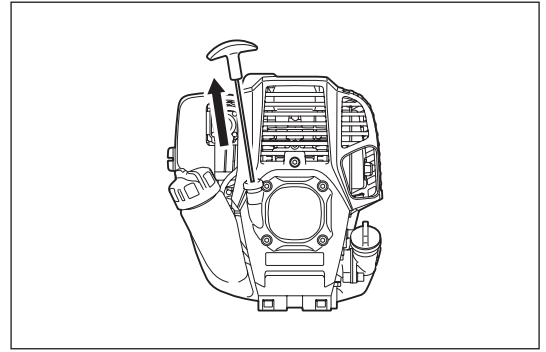
- 1) Déposez la machine sur une surface plane.
- 2) Réglez l'interrupteur I-O (1) sur OPERATION (FONCTIONNEMENT).
- 3) Pompe d'amorçage  
Continuez à appuyer sur la pompe d'amorçage (2) jusqu'à ce que le carburant pénètre à l'intérieur de celle-ci. (En général, le carburant pénètre dans la pompe d'amorçage après 7 à 10 pressions.) Si vous appuyez trop sur la pompe d'amorçage, un surplus de carburant retourne au réservoir de carburant.



- 4) Démarreur  
Tirez doucement le bouton du démarreur, jusqu'à ce qu'il résiste (point de compression). Ensuite, repoussez le bouton du démarreur, puis tirez-le fortement. Ne tirez jamais entièrement la corde. Une fois le bouton du démarreur tiré, n'enlevez jamais votre main immédiatement. Tenez le bouton jusqu'à ce qu'il retourne à sa position initiale.

- 5) Opération de chauffage  
Continuez à faire chauffer le moteur pendant 2 à 3 minutes.

REMARQUE : Si une entrée de carburant excessive se produit, enlevez la bougie et tirez la poignée de démarrage lentement pour retirer l'excès de carburant. Séchez également l'électrode de la bougie.



**B : Démarrage après avoir fait chauffer le moteur**

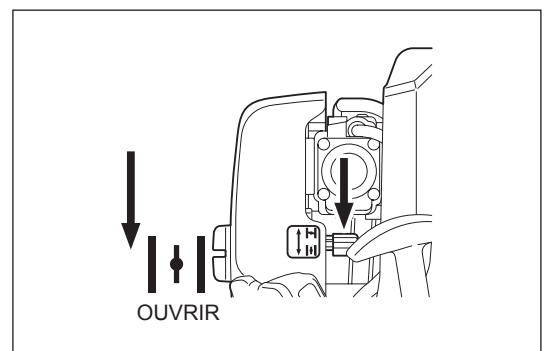
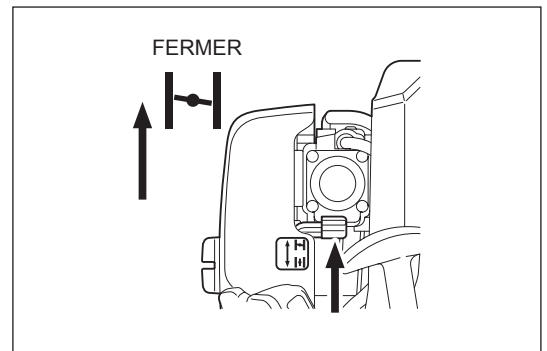
- 1) Appuyez plusieurs fois doucement sur la pompe d'amorçage.
- 2) Laissez le levier d'accélérateur en position de ralenti.
- 3) Tirez avec force sur le lanceur à rappel automatique.
- 4) Si le moteur est difficile à démarrer, ouvrez les gaz d'environ 1/3.  
Faites attention aux lames de coupe, qui pourraient tourner.

**Parfois, notamment en hiver, lorsque le démarrage du moteur s'avère difficile, faites fonctionner le levier de l'étrangleur au démarrage du moteur en procédant comme suit.**

- Après avoir exécuté les étapes de démarrage 1) à 3), placez le levier de l'étrangleur en position FERMER.
- Exécutez l'étape 4) et démarrez le moteur.
- Lorsque le moteur démarre, réglez le levier d'étrangleur en position OUVRIR.
- Exécutez l'étape de démarrage 5) et continuez à chauffer le moteur.

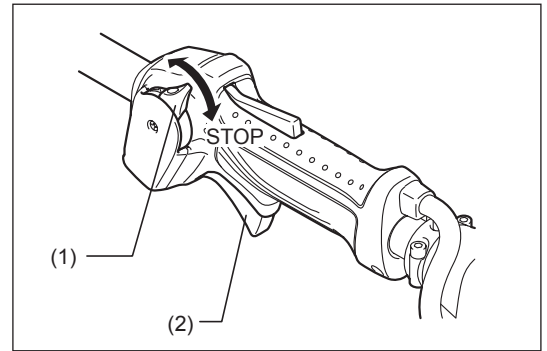
ATTENTION : Si bang (bruit d'explosion) est entendu et si le moteur s'arrête, ou si le moteur que vous venez de démarrer cale avant que le levier d'étrangleur soit utilisé, remplacez le levier d'étrangleur en position OUVRIR, puis tirez plusieurs fois sur le bouton du démarreur pour démarrer le moteur.

ATTENTION : Si le levier de l'étrangleur est resté en position FERMÉ et si vous avez simplement appuyé à plusieurs reprises sur le bouton du démarreur, une quantité trop importante de carburant sera aspirée et le moteur aura des difficultés à démarrer.



## ARRÊT

- 1) Relâchez entièrement le levier d'accélérateur (2) et lorsque la vitesse du moteur a diminué, placez l'interrupteur I-O (1) en position STOP pour couper le moteur.
- 2) Attention, il est possible que la tête de coupe ne s'arrête pas immédiatement, laissez-la ralentir jusqu'à ce qu'elle s'arrête.

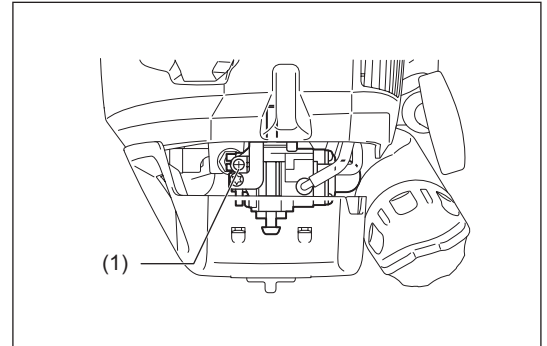


## RÉGLAGE DE LA ROTATION À BAS RÉGIME (RALENTI)

Lorsque cela est nécessaire, réglez le ralenti en utilisant la vis de réglage du carburateur (1).

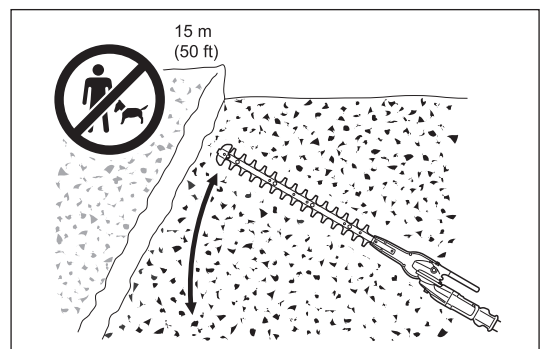
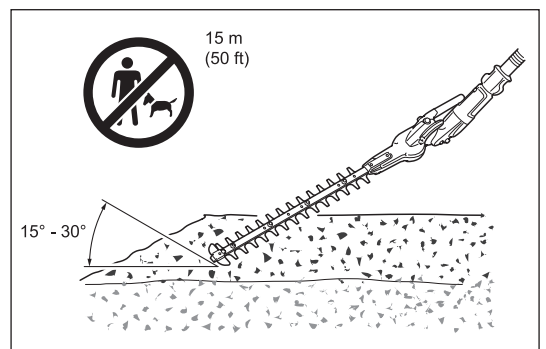
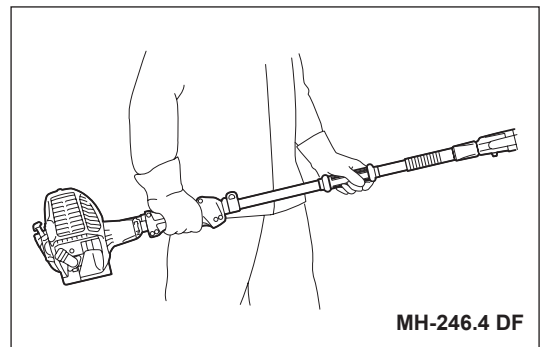
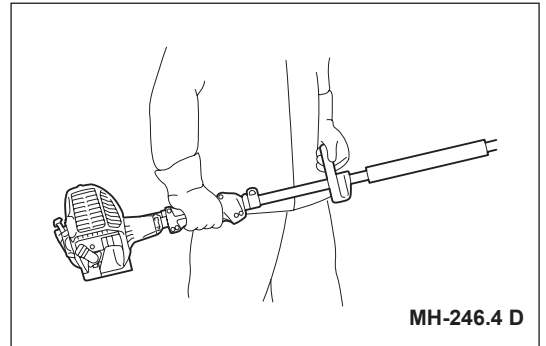
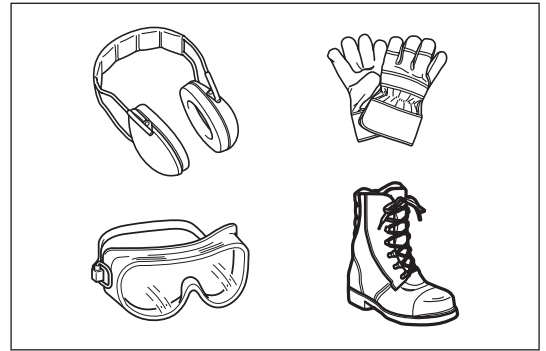
## VÉRIFICATION DE LA ROTATION À BAS RÉGIME

- Réglez la rotation à bas régime sur 3 000 tr/min (/min).  
Si vous devez modifier la vitesse de rotation, tournez la vis de réglage (1) avec un tournevis à pointe cruciforme.
- Tournez la vis de réglage vers la droite pour augmenter la vitesse du moteur.  
Tournez la vis de réglage vers la gauche pour diminuer la vitesse du moteur.
- Le carburateur est généralement réglé en usine. S'il est nécessaire d'effectuer un nouveau réglage, veuillez contacter un centre d'entretien agréé.



## FONCTIONNEMENT DU TAILLE-HAIE SUR PERCHE

- Ne touchez pas la partie de la lame de coupe du taille-haie sur perche pendant son fonctionnement ou lorsque le moteur tourne.
- Veillez tout particulièrement à ne pas respirer les gaz d'échappement émis par le taille-haie sur perche pendant son fonctionnement. N'utilisez jamais le taille-haie sur perche dans une pièce confinée ou un lieu présentant une ventilation insuffisante (risque de suffocation et d'intoxication par les gaz). Notez que le monoxyde de carbone est un gaz inodore, c'est-à-dire qu'il ne peut pas être détecté par l'odorat.
- Portez toujours des vêtements de protection adéquats avant de commencer à utiliser le taille-haie sur perche.
- Coupez immédiatement le moteur si le silencieux ne fonctionne pas correctement.
- Utilisez le taille-haie sur perche uniquement lorsque les conditions d'éclairage et la visibilité sont bonnes.
- N'utilisez pas le taille-haie sur perche dans l'obscurité ou en cas de brouillard. Méfiez-vous des zones glissantes et mouillées (verglas et neige) en hiver (risque de glissade) et gardez toujours une bonne position d'équilibre.
- N'utilisez jamais le taille-haie sur perche lorsque vous vous tenez sur une surface instable ou sur une pente abrupte.
- N'utilisez jamais le taille-haie sur perche lorsque vous vous trouvez sur une échelle.
- Ne grimpez jamais dans un arbre pour utiliser le taille-haie sur perche.
- Vérifiez constamment que la zone de travail ne comporte pas de fils, cordon, verre ou autres corps étrangers susceptibles d'être happés par les lames de coupe.
- Assurez-vous que les lames de coupe fonctionnent rapidement avant de commencer à tailler.
- Saisissez toujours le taille-haie sur perche avec les deux mains et tenez-le fermement lors de son utilisation.
- Pour garantir un contrôle optimal du taille-haie sur perche, enroulez complètement vos mains autour des poignées (utilisez votre pouce pour contrer la pression) et tenez fermement les poignées.
- Notez que les lames de coupe continueront à bouger pendant deux secondes une fois que vous aurez relâché le levier d'accélérateur.
- Ne procédez pas à la taille lorsque le taille-haie sur perche fonctionne à vitesse réduite.
- Il n'est pas possible de régler correctement la vitesse des lames de coupe avec le levier d'accélérateur lorsque le moteur fonctionne à vitesse réduite.
- Pour tailler la surface supérieure d'une haie, commencez par aligner les lames de coupe sur un angle de 15° - 30° dans le sens de la coupe et maintenez le taille-haie sur perche en position horizontale. Commencez ensuite par tailler la haie selon un mouvement de balancier, comme si vous dessiniez des segments circulaires avec l'arbre du taille-haie.
- Pour tailler les côtés d'une haie, alignez les lames parallèlement à la surface à couper et commencez à tailler selon des mouvements semi-circulaires vers le haut (de bas en haut).
- Soyez vigilant lorsque vous taillez une haie située à proximité ou contre des clôtures en fils de fer.
- Ne touchez pas les objets durs, tels que les clôtures en fils de fer, les pierres ou le sol, avec les lames de coupe. Vous risqueriez de fissurer, buriner ou briser les lames.
- N'utilisez pas le taille-haie sur perche pendant une période prolongée. En règle générale, faites une pause de 10-20 minutes toutes les 50 minutes d'utilisation.
- Si les lames de coupe entrent en contact avec des pierres ou d'autres objets durs, arrêtez immédiatement le moteur et vérifiez si les lames sont endommagées. Remplacez les lames si elles sont endommagées.
- Si le taille-haie sur perche présente un problème pendant le fonctionnement (bruits étranges, vibrations, etc.), coupez immédiatement le moteur. Ne continuez pas à utiliser l'appareil avant d'avoir déterminé et résolu le problème.
- Efforcez-vous toujours de maintenir la pollution et les émissions sonores les plus basses possibles lors de l'utilisation du taille-haie sur perche. Veillez particulièrement à régler correctement le carburateur.
- Si de grosses branches venaient à se coincer dans les lames de coupe, coupez immédiatement le moteur, posez l'appareil au sol et retirez les branches. Vérifiez si des lames sont endommagées, avant d'utiliser à nouveau l'appareil.





## Réglage de l'angle de coupe

### Avertissement :

- N'utilisez pas l'outil si l'unité de coupe est desserrée et instable.

Vous pouvez changer l'angle de coupe de 45° vers le haut et de 90° vers le bas.

1. Coupez le moteur du taille-haie sur perche et posez l'appareil sur le sol.
2. Pour régler l'angle de l'unité de coupe, tenez la poignée **(A)** sur l'unité de coupe d'une main et tenez le verrou d'angle **(B)** avec l'autre main, comme illustré.
3. Tirez doucement sur le verrou d'angle et changez l'angle de l'unité de coupe. Après avoir réglé l'angle, remettez doucement le verrou d'angle en place.

### Remarque :

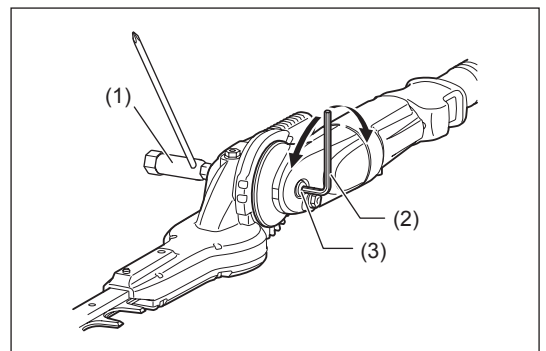
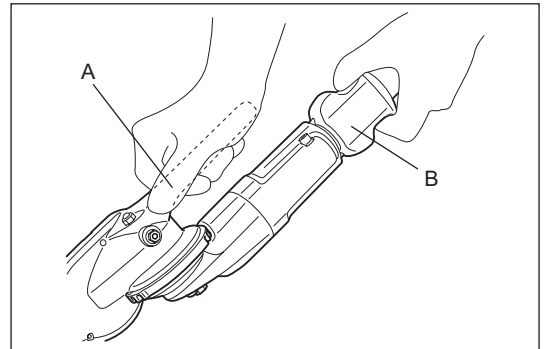
- L'unité de coupe est serrée uniquement selon certains angles le long de la rainure sur l'unité. Assurez-vous que l'unité de coupe est en place. Si l'angle est incorrect, l'embrayage est coupé et l'outil ne fonctionne pas.
- Ne réglez pas l'unité de coupe lorsque le taille-haie sur perche est en position verticale.
- Déplacez l'interrupteur I-O en position « O » et posez le taille-haie sur perche à plat sur le sol pour régler l'angle de coupe.
- Sécurisez toujours les lames avec le protège-lame fourni avant de régler l'angle de coupe.

Si l'unité de coupe est desserrée, le boulon (l'axe de réglage d'angle) doit être serré.

1. Placez la clé à douille (1) et la clé hexagonale (2) sur le boulon (3).
2. Réglez le serrage de l'unité de coupe en tournant la clé hexagonale, puis serrez le boulon en tournant la clé à douille.

### Remarque :

- Ne serrez pas l'unité de coupe de manière excessive. L'angle de l'unité de coupe ne peut pas être modifié si elle est trop serrée.



## ENTRETIEN

- Avant d'effectuer des travaux de maintenance sur le taille-haie sur perche (nettoyage de la lame, etc.), coupez toujours le moteur et attendez qu'il ait refroidi. Par mesure de précaution supplémentaire, retirez également le protecteur de bougie.
- N'essayez pas de redresser ou souder des lames de coupe courbées ou brisées. Remplacez toujours des lames endommagées.
- Arrêtez régulièrement le moteur pour voir si les lames de coupe sont endommagées (effectuez un test de résonance en tapant sur l'appareil pour détecter des fissures filiformes difficiles à voir). Assurez-vous toujours que les dents des lames sont affûtées.
- Nettoyez régulièrement le taille-haie sur perche. Lors du nettoyage, vérifiez également que toutes les vis, tous les écrous et tous les boulons sont bien serrés.
- Pour réduire les risques d'incendie, ne procédez jamais à l'entretien du taille-haie sur perche et ne le rangez pas à proximité d'un feu.
- Portez toujours des gants de protection renforcés lorsque vous manipulez les lames de coupe.
- Contactez votre revendeur pour remplacer les lames de coupe.
- N'utilisez jamais d'essence, de benzine, de diluant, d'alcool ou de produit similaire pour le nettoyage. Ces produits risquent de provoquer des décolorations, des déformations ou des fissures.

### Affûtage de la lame

Si les lames de coupe sont émoussées et les performances de coupe deviennent médiocres, demandez à un agent d'entretien agréé d'affûter les lames.

### Réglage du jeu entre les lames

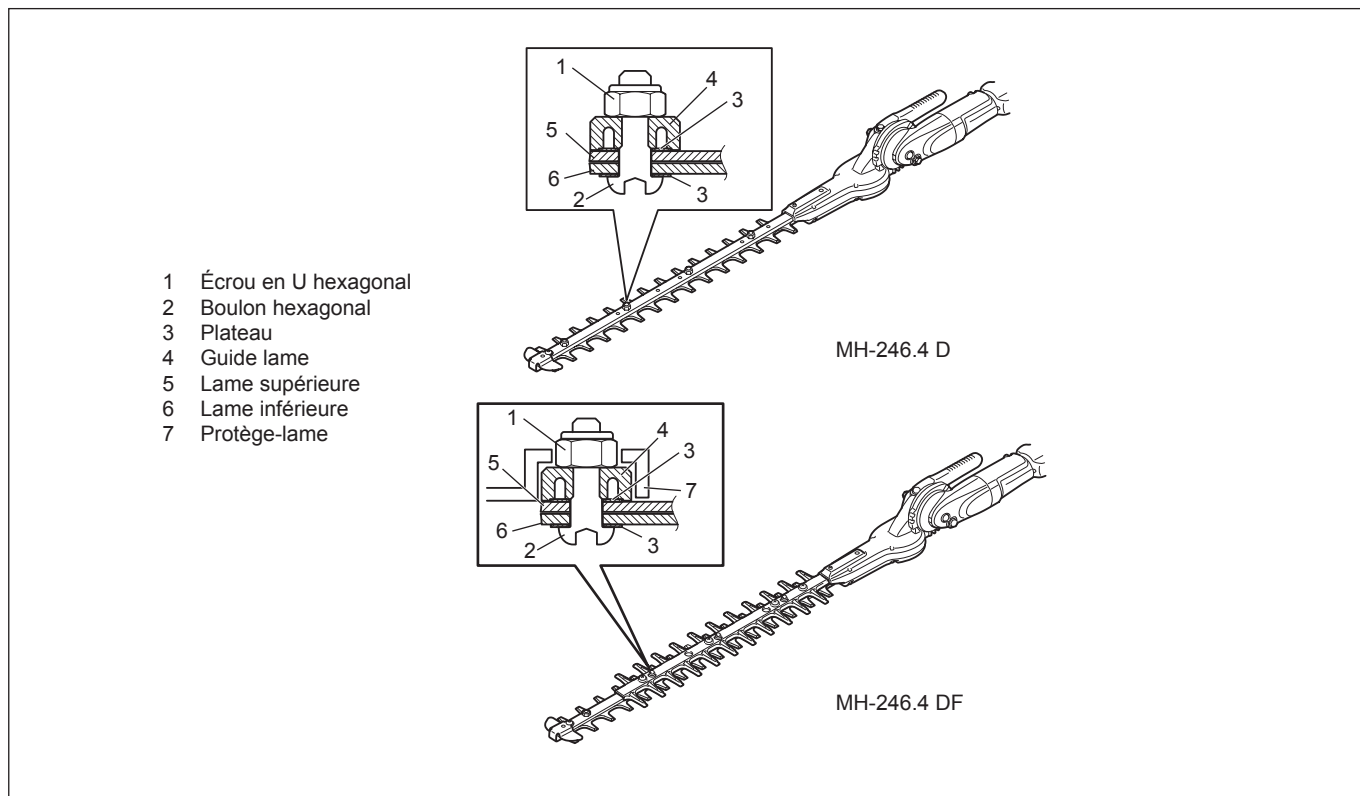
Les lames supérieure/inférieure s'usent progressivement après utilisation. Si vous ne parvenez pas à obtenir une coupe nette alors que les lames sont suffisamment tranchantes, réglez le jeu comme suit.

Le serrage du boulon hexagonal détermine l'espacement des lames. L'écrou maintient le boulon hexagonal selon un serrage spécifique. Un espacement trop important entraîne une coupe émoussée, mais un espacement trop faible provoque une chaleur inutile et entraîne l'usure prématurée des lames.

1. Desserrez l'écrou (1) avec une clé polygonale ou ouverte.
2. Serrez le boulon hexagonal (2) avec une clé hexagonale jusqu'à ce qu'il se bloque. Ensuite, revissez-le entre un quart de tour et un demi-tour pour gagner un espacement nécessaire.
3. Serrez l'écrou (1), en tenant le boulon hexagonal (2).
4. Appliquez de l'huile légère sur la surface de friction des lames.
5. Démarrez le moteur, puis accélérez et décélérez pendant une minute.
6. Coupez le moteur et touchez la surface des lames. Si elles ne sont pas trop chaudes pour être touchées, le réglage effectué est correct. Si elles sont trop chaudes pour être touchées, desserrez légèrement le boulon hexagonal (2) et répétez les étapes 5 et 6.

REMARQUE : Avant de procéder au réglage, coupez le moteur et attendez l'arrêt des lames.

Les lames comportent une fente autour du boulon hexagonal (2). Si vous découvrez de la poussière dans l'une des fentes, retirez-la.

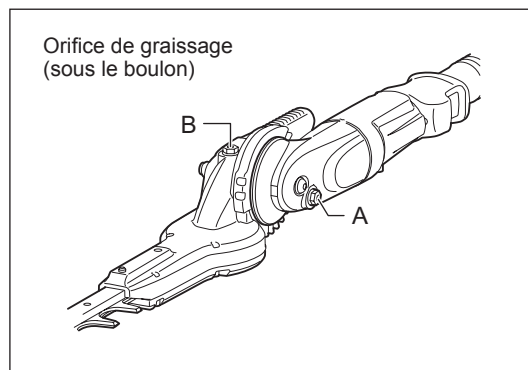


## Ajout de graisse et de lubrifiant

**Important : Assurez-vous que la surface de la boîte de vitesses est complètement froide avant de procéder à la lubrification.**

- La boîte de vitesses du taille-haie sur perche doit être graissée toutes les 25 heures de fonctionnement. L'orifice de graissage se trouve sous le boulon. Retirez le boulon pour procéder à la lubrification. Ajoutez environ 3 g (4 cc) de lubrifiant au point A de la boîte de vitesses et 5 g (7 cc) de lubrifiant au point B respectivement depuis l'orifice de graissage. Remettez le boulon après avoir procédé à la lubrification. Après avoir mis la bonne quantité de graisse, il en ressortira un peu de la base de la lame lors de la première utilisation.

**ATTENTION :** Respectez les intervalles de graissage et la quantité de graisse à ajouter.  
Les pièces mécaniques du taille-haie sur perche peuvent être endommagées si la graisse n'est pas ajoutée aux intervalles indiqués ou si une quantité insuffisante de graisse est ajoutée.



## Inspection et maintenance journalière

Pour garantir une longue durée de service de votre taille-haie sur perche, procédez quotidiennement aux inspections suivantes et à la maintenance.

- Avant utilisation :
  - Recherchez toujours d'éventuelles pièces desserrées ou manquantes avant de commencer à utiliser l'appareil. Accordez une attention particulière au bloc de coupe et assurez-vous que les vis de blocage de la lame de coupe sont bien serrées.
  - Vérifiez que les passages de l'air de refroidissement et les ailettes de refroidissement ne sont pas bouchés avant de commencer à utiliser l'appareil. Au besoin, nettoyez-les.
- Après utilisation :
  - Nettoyez l'extérieur du taille-haie sur perche et vérifiez qu'il n'est pas endommagé.
  - Nettoyez le filtre à air. Nettoyez le filtre plusieurs fois par jour si vous travaillez dans des conditions extrêmement poussiéreuses.
  - Vérifiez que les lames de coupe ne sont pas endommagées. Assurez-vous que les lames sont correctement montées.
  - Si les lames de coupe continuent à fonctionner pendant le ralenti après le réglage, contactez votre agent d'entretien agréé le plus proche.

## REPLACEMENT DE L'HUILE MOTEUR

Une huile moteur détériorée réduit grandement la durée de vie des pièces mobiles. Veillez à vérifier la fréquence et la quantité des remplacements.



**DANGER :** En général, le bloc principal du moteur et l'huile moteur restent brûlants juste après l'arrêt du moteur. Pour la vidange de l'huile, assurez-vous que le bloc principal du moteur et l'huile moteur ont suffisamment refroidi. Sinon, vous risquez de vous brûler. Afin de garantir une lecture précise de l'indicateur de niveau d'huile, laissez suffisamment de temps à l'huile moteur pour qu'elle retourne dans le réservoir d'huile après l'arrêt du moteur.

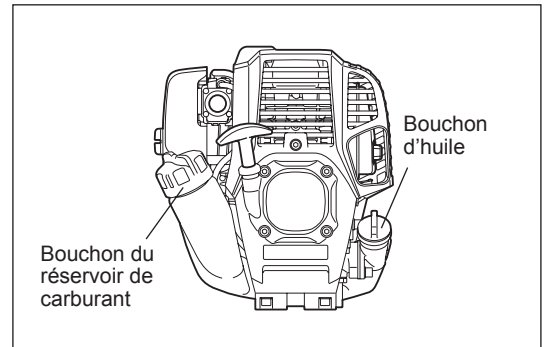
**REMARQUE :** Si le niveau d'huile dépasse la limite, l'huile risque d'être souillée ou de s'enflammer en produisant de la fumée blanche.

**Intervalle de remplacement :** Après 20 heures de fonctionnement, puis toutes les 50 heures de fonctionnement.

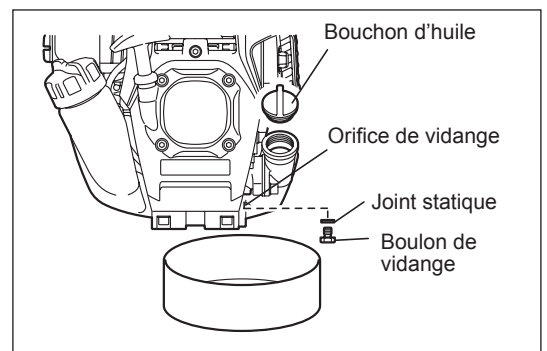
**Huile recommandée :** Huile SAE 10W-30 de classe API, Classe SF ou supérieure (moteur 4 temps pour automobile)

Vous pouvez également procéder comme suit.

- 1) Assurez-vous que le bouchon du réservoir de carburant est bien serré.
- 2) Placez un grand récipient (poêle, etc.) sous l'orifice de vidange.

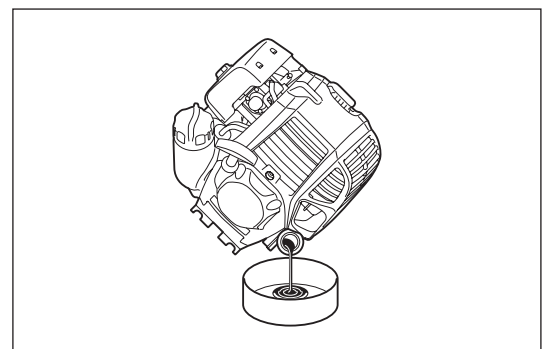


- 3) Retirez le boulon de vidange, puis le bouchon d'huile pour purger l'huile de l'orifice de vidange. À ce stade, veillez à ne pas perdre le joint statique du boulon de vidange et à ne pas salir les composants que vous avez déposés.
- 4) Une fois l'huile entièrement vidangée, associez le joint statique au boulon de vidange, puis serrez fermement le boulon de vidange afin qu'il ne se desserre pas et ne provoque pas de fuite.  
\* Utilisez un chiffon pour essuyer l'huile qui s'est déversée sur le boulon et le matériel.

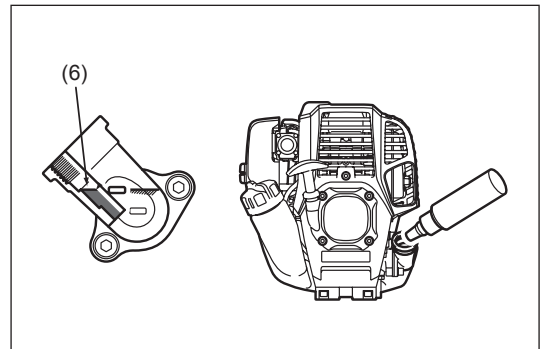
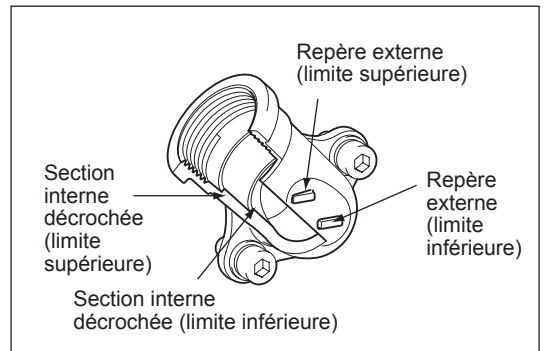


### Autre méthode de vidange

Retirez le bouchon d'huile, inclinez le taille-haie sur perche vers l'orifice de remplissage d'huile et purgez l'huile. Recueillez l'huile dans un récipient.



- 5) Réglez le niveau du moteur et remplissez progressivement le réservoir avec de l'huile neuve jusqu'au repère de la limite supérieure (6).
- 6) Après avoir procédé au remplissage, serrez fermement le bouchon d'huile, de sorte qu'il ne se desserre pas et ne provoque pas de fuite. Si vous ne serrez pas fermement le bouchon d'huile, il risque de fuir.



#### AVERTISSEMENTS CONCERNANT L'HUILE

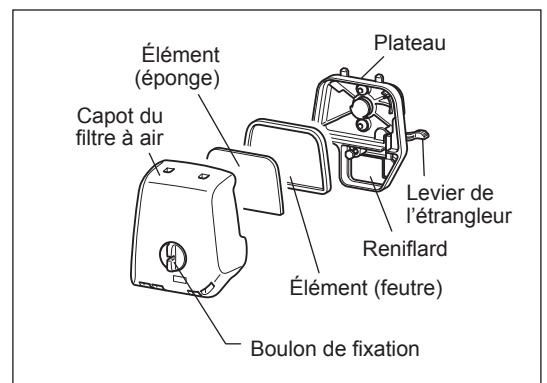
- Ne jetez jamais d'huile moteur à la poubelle, sur la terre ou dans les égouts. Débarrassez-vous de l'huile en suivant la législation. Respectez toujours la loi en vigueur. Pour tout éclaircissement, contactez un agent d'entretien agréé.
- L'huile se détériore, même lorsqu'elle n'est pas utilisée. Effectuez régulièrement des inspections et des remplacements (vidangez l'huile tous les 6 mois).

#### Nettoyage de filtre à air

##### DANGER : Substances inflammables strictement interdites

Vérifiez et nettoyez filtre à air quotidiennement ou toutes les 10 heures de fonctionnement.

- Tournez à fond le levier d'étrangleur vers le côté fermé et maintenez le carburateur à l'abri de la poussière ou de la saleté.
- Dévissez le boulon de fixation.
- Retirez le capot du filtre à air en tirant sur la partie inférieure de celui-ci.
- Retirez les éléments et tapez dessus pour en retirer les saletés.
- Si les éléments sont fortement contaminés : Retirez les éléments, plongez-les dans de l'eau chaude ou dans un détergent neutre dilué à l'eau et faites-les entièrement sécher. Lorsque vous les lavez, ne les serrez pas et ne les frottez pas.
- Avant de remettre les éléments en place, assurez-vous qu'ils sont complètement secs. Un séchage insuffisant des éléments peut provoquer un démarrage difficile.
- Essuyez l'huile présente autour du capot du filtre à air et sur le reniflard à l'aide d'un chiffon.
- Installez l'élément (éponge) dans l'élément (feutre). Installez les éléments dans la plateau afin que l'éponge soit orientée face au capot du filtre à air.
- Fixez immédiatement le capot du filtre à air et serrez-le avec des boulons de fixation. (Pour le remettre en place, commencez par le haut, puis le bas.)



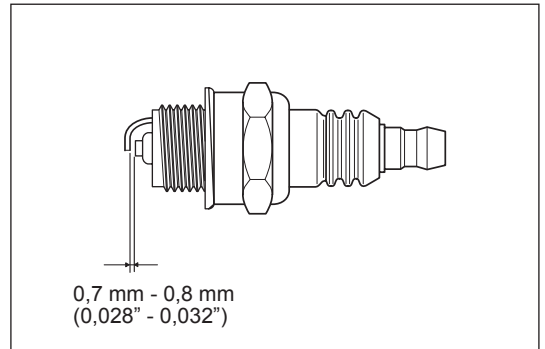
#### NOTE :

- Nettoyez les éléments plusieurs fois par jour en cas de poussière excessive. Les éléments sales diminuent la puissance du moteur et rendent difficile le démarrage du moteur.
- Retirez l'huile présente sur les éléments. Si vous continuez à utiliser l'appareil alors que les éléments restants présentent encore de l'huile, il est possible que l'huile présente dans filtre à air soit expulsée à l'extérieur et contamine l'environnement.
- Ne placez pas les éléments sur le sol ou dans un lieu sale. La saleté ou les débris pourraient se poser dessus et endommager le moteur.
- N'utilisez jamais de carburant pour nettoyer les éléments. Le carburant pourrait les endommager.

## VÉRIFICATION DE LA BOUGIE

- N'utilisez que la clé universelle fournie pour retirer ou installer la bougie.
- L'écartement entre les deux électrodes de la bougie doit être compris entre 0,7 et 0,8 mm (0,028" et 0,032"). Réglez l'écartement s'il est trop large ou trop étroit. Si la bougie est bouchée ou contaminée, nettoyez-la complètement ou remplacez-la.

ATTENTION : Ne touchez jamais le connecteur de la bougie lorsque le moteur est en marche (danger de choc électrique haute tension).



## Nettoyage du filtre à carburant (crépine d'aspiration dans le réservoir d'essence)

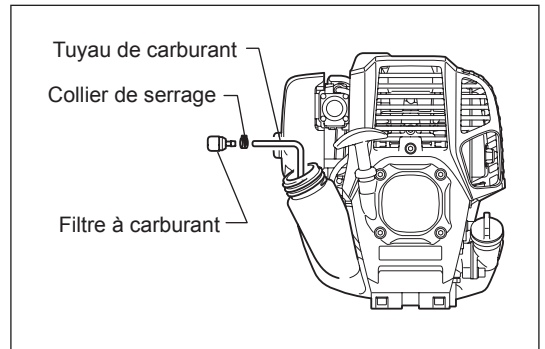
### AVERTISSEMENT : PRODUITS INFLAMMABLES STRICTEMENT INTERDITS

Vérifiez et nettoyez le filtre à carburant tous les mois ou toutes les 50 heures de fonctionnement.

Examinez régulièrement le filtre à carburant. Pour ce faire, procédez comme suit.

- (1) Retirez le bouchon du réservoir de carburant, purgez le carburant pour vider le réservoir. Examinez l'intérieur du réservoir à la recherche de corps étrangers. Le cas échéant, retirez-les.
- (2) Retirez la crépine d'aspiration à l'aide d'un crochet à fil que vous passez à travers l'orifice du réservoir.
- (3) Si le filtre à carburant est légèrement bouché, nettoyez-le. Pour ce faire, secouez-le et tapez-le doucement au niveau du carburant. Pour éviter tout dommage, ne le serrez pas et ne le frottez pas. Le carburant utilisé pour le nettoyage doit être éliminé conformément à la réglementation en vigueur dans votre pays.  
Si le filtre à carburant a durci ou est fortement bouché, remplacez-le.
- (4) Après avoir examiné, nettoyé ou remplacé le filtre à carburant, enfoncez-le complètement dans la partie inférieure du réservoir de carburant.

Un filtre à carburant bouché ou endommagé peut entraîner une alimentation insuffisante en carburant et réduire la puissance du moteur. Remplacez le filtre à carburant au moins tous les trimestres pour assurer une alimentation satisfaisante en carburant dans le carburateur.



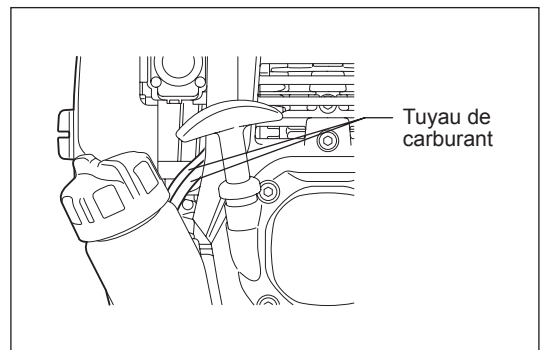
## Remplacement du tuyau de carburant

### ATTENTION : Substances inflammables strictement interdites

Vérifiez et nettoyez le tuyau de carburant quotidiennement ou toutes les 10 heures de fonctionnement.

Remplacez le tuyau de carburant toutes les 200 heures de fonctionnement ou tous les ans, quelle que soit la fréquence d'utilisation. Dans le cas contraire, une fuite d'essence peut provoquer un incendie.

Si vous détectez une fuite pendant une inspection, remplacez immédiatement le tuyau de carburant.



## INSPECTION DES BOULONS, ÉCROUS ET VIS

- Resserrez les boulons, écrous, etc. desserrés.
- Vérifiez l'absence de fuite de carburant et d'huile.
- Remplacez les pièces endommagées par des pièces neuves afin de garantir un fonctionnement en toute sécurité.

## NETTOYAGE DES PIÈCES

- Essuyez le moteur avec un chiffon en tissu afin de le maintenir propre.
- Conservez les ailettes de cylindre dépourvues de poussière et saleté. Si de la poussière ou des saletés adhèrent aux ailettes, cela peut créer des dommages aux pistons.

## REMPACEMENT DE JOINTS STATIQUES ET DE TAMPONS AMORTISSEURS

Remplacez les joints statiques et tampons amortisseurs si le moteur est démonté. Pour toute opération d'entretien ou de réglage non décrite dans le présent manuel, contactez votre centre d'entretien agréé DOLMAR le plus proche.

## ENTREPOSAGE

**AVERTISSEMENT : Avant de vidanger le carburant, arrêtez le moteur et attendez qu'il refroidisse.**

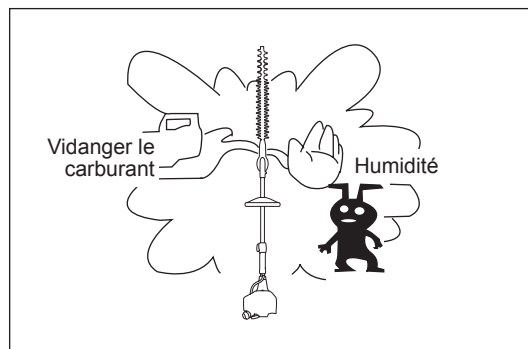
Le non-respect de cette consigne peut provoquer des brûlures ou un incendie.

**ATTENTION : Si vous rangez l'appareil pendant une longue période, vidangez le réservoir de carburant et le carburateur, et entreposez l'appareil dans un endroit sec et propre.**

- Pour vidanger le réservoir de carburant et le carburateur, procédez comme suit :

- 1) Retirez le bouchon du réservoir de carburant, et vidangez le carburant entièrement.  
S'il reste des corps étrangers dans le réservoir de carburant, retirez-le complètement.
- 2) Retirez le filtre à carburant de l'orifice de remplissage à l'aide d'un fil.
- 3) Appuyez sur la pompe d'amorçage jusqu'à ce que le carburant soit entièrement vidé et vidangez le carburant qui arrive dans le réservoir de carburant.
- 4) Remplacez le filtre sur le réservoir de carburant, et vissez à fond le bouchon du réservoir de carburant.
- 5) Ensuite, faites tourner le moteur jusqu'à ce qu'il s'arrête.

- Retirez la bougie et versez plusieurs gouttes d'huile moteur dans le logement de la bougie.
- Tirez doucement la poignée du démarreur afin que l'huile moteur se répande sur le moteur, puis remettez la bougie en place.
- Attachez le capot sur les lames de coupe.
- En général, entreposez l'appareil en position horizontale. Si cela n'est pas possible, placez l'appareil de sorte que le bloc-moteur se trouve sous l'outil de coupe. Dans le cas contraire, de l'huile moteur risque de couler depuis l'intérieur.
- Veillez également à entreposer l'appareil en lieu sûr afin d'éviter de l'endommager et de vous blesser.
- Conservez le carburant purgé dans un récipient spécial dans un lieu ombragé bien ventilé.



**Attention après un entreposage pendant une longue période**

- Avant de démarrer l'appareil après un long arrêt, veillez à remplacer l'huile (voir à la page 44). L'huile se détériore lorsque l'appareil ne fonctionne pas pendant une longue période.

Élément	Temps d'utilisation						Arrêt/repos	Section correspondante
		Avant l'utilisation	Tous les jours (10 h)	25 h	50 h	200 h		
Huile moteur	Inspecter/ nettoyer	○						35
	Remplacer				○*1			44
Serrage des pièces (boulon, écrou)	Inspecter	○						46
Réservoir de carburant	Nettoyer/ inspecter	○						-
	Vidanger le carburant						○*3	47
Levier d'accélérateur	Vérifier le fonctionnement	○						37
Interrupteur d'arrêt	Vérifier le fonctionnement	○						39, 37
Lames de coupe	Inspecter	○	○					37, 42
Rotation au ralenti	Inspecter/régler		○					39
Filtre à air	Nettoyer		○					45
Bougie d'allumage	Inspecter		○					46
Conduite d'air de refroidissement	Nettoyer/ inspecter		○					46
Tuyau de carburant	Inspecter		○					46
	Remplacer					⊙*2		-
Graisse du carter d'engrenage	Remplir			○				43
Filtre à carburant	Nettoyer/ remplacer				○			46
Espace entre les valves d'entrée et de sortie d'air	Régler					⊙*2		-
Révision du moteur						⊙*2		-
Carburateur	Vidanger le carburant						○*3	47

\*1 Effectuez un remplacement initial après 20 heures d'utilisation.

\*2 Demandez à un atelier de mécanique ou un agent d'entretien agréé d'effectuer l'entretien après 200 heures d'utilisation.

\*3 Après avoir vidé le réservoir de carburant, continuez à faire fonctionner le moteur et purgez le carburant situé dans le carburateur.



## RÉSOLUTION DE PROBLÈMES

Avant d'envoyer votre appareil en réparation, vérifiez si vous pouvez régler le problème vous-même. Si vous découvrez une anomalie, commandez votre appareil selon les descriptions de ce manuel. Ne démontez et ne modifiez aucune pièce d'une manière contraire à la description. Pour toute réparation, contactez un agent d'entretien agréé ou un revendeur local.

Problème	Cause probable (dysfonctionnement)	Solution
Le moteur ne démarre pas	Oubli d'activation de la pompe d'amorçage	Appuyer 7 à 10 fois
	Tirage lent de la corde du démarreur	Tirer plus fort
	Panne de carburant	Faire le plein
	Filtre de carburant bouché	Nettoyer
	Tube de carburant cassé	Redresser le tube de carburant
	Carburant détérioré	Du carburant détérioré rend le démarrage plus difficile. Remplacez-le par du carburant neuf. (Remplacement recommandé : 1 fois par mois)
	Aspiration excessive du carburant	Régler le levier d'accélérateur de la vitesse moyenne à la vitesse élevée et tirer sur la poignée de démarrage jusqu'à ce que le moteur démarre. <b>Une fois le moteur démarré, les lames de coupe commencent à tourner. Faites très attention aux lames de coupe.</b> Si le moteur ne démarre toujours pas, retirer la bougie, sécher l'électrode et ré-assembler ces éléments comme ils l'étaient à l'origine. Ensuite, démarrer comme indiqué.
	Protecteur de bougie débranché	Le brancher solidement
	Bougie contaminée	Nettoyer
	Espacement anormal de la bougie	Régler l'espacement
	Autre problème de la bougie	Remplacer
	Carburateur anormal	Faire une demande d'examen et d'entretien.
	Impossible de tirer la corde de démarrage	Faire une demande d'examen et d'entretien.
Entraînement anormal	Faire une demande d'examen et d'entretien.	
Le moteur s'arrête rapidement La vitesse du moteur n'augmente pas	Réchauffement insuffisant	Réchauffer le moteur
	Le levier d'étrangleur est en position « H » alors que le moteur est chaud.	Le régler sur « III »
	Filtre de carburant bouché	Nettoyer ou remplacer
	Filtre à air contaminé ou bouché	Nettoyer
	Carburateur anormal	Faire une demande d'examen et d'entretien.
	Entraînement anormal	Faire une demande d'examen et d'entretien.
La lame de coupe ne bouge pas.	Angle incorrect de l'unité de coupe	Assurez-vous que le verrou d'angle s'enclenche correctement.
	Écrou de serrage des lames de coupe desserrées	Le serrer correctement
	Brindilles happées par les lames de coupe.	Retirer le corps étranger.
	Entraînement anormal	Faire une demande d'examen et d'entretien.
Arrêtez immédiatement le moteur		
Vibrations anormales de la machine	Lames de coupe cassées, tordues ou émoussées	Remplacer les lames de coupe
	Écrou de serrage des lames de coupe desserrées	Le serrer correctement
	Entraînement anormal	Faire une demande d'examen et d'entretien.
Arrêtez immédiatement le moteur		
Les lames de coupe ne s'arrêtent pas immédiatement	Rotation élevée au ralenti	Régler
	Fil de l'étrangleur détaché	Le brancher solidement
	Entraînement anormal	Faire une demande d'examen et d'entretien.
Arrêtez immédiatement le moteur		
Le moteur ne s'arrête pas	Connecteur débranché	Le brancher solidement
	Système électrique anormal	Faire une demande d'examen et d'entretien.
Faites tourner le moteur au ralenti et réglez le levier d'étrangleur sur « H »		

Lorsque le moteur ne démarre pas après avoir été réchauffé :  
Si aucun problème n'apparaît après vérification, ouvrez l'étrangleur d'environ 1/3 et démarrez le moteur.

Vielen Dank, dass Sie sich für den Heckenschneider von DOLMAR entschieden haben. Wir freuen uns, Ihnen ein Produkt anbieten zu können, das ein Ergebnis eines umfangreichen Entwicklungsprogramms und vieler Jahre an Erkenntnissen und Erfahrungen darstellt.

Lesen Sie vor der Verwendung dieser Maschine diese Betriebsanleitung sorgfältig durch, und halten Sie alle in dieser Betriebsanleitung aufgeführten Anleitungen ein, damit ein ordnungsgemäßer Umgang mit diesem Heckenschneider von DOLMAR gegeben ist. Nur so ist ein sicherer Umgang mit dieser Maschine gegeben, und Sie werden die bestmöglichen Ergebnisse mit Ihrem Heckenschneider von DOLMAR erzielen.



## Inhaltsverzeichnis

## Seite

Symbole.....	50
Sicherheitsvorschriften .....	51
Technische Daten .....	56
Bezeichnung der Bauteile.....	57
Montage.....	58
Umhängeriem (Sonderzubehör).....	58
Kraftstoff/Betankung .....	59
Sicherheitsmassnahmen vor dem Starten des Motors.....	61
Betreiben des Heckenschneiders.....	64
Wartung .....	66
Aufbewahrung .....	71
Fehlersuche.....	73

## SYMBOLE

Achten Sie beim Lesen der Betriebsanleitung auf die folgenden Symbole.

	WARNUNG/GEFAHR		Gefahr von Quetsch- und Schnittverletzungen!
	Vor dem Gebrauch Anweisungen in dieser Betriebsanleitung sorgfältig lesen und verstehen		Auf elektrische Leitungen achten. Gefahr eines Stromschlags!
	VERBOTEN		Kraftstoff (Ottokraftstoff)
	Rauchen verboten!		Manuelles Starten des Motors
	Keine offenen Flammen!		Not-Aus
	Sicherheitsschuhe tragen		Erste Hilfe
	Schutzhandschuhe tragen		EIN/START
	Im Arbeitsbereich dürfen sich keine anderen Personen und keine Tiere aufhalten!		AUS/STOPP
	Schutzhelm, Schutzbrille und Gehörschutz tragen		

# SICHERHEITSVORSCHRIFTEN

## Allgemeine Sicherheitsregeln

- Lesen Sie vor der Benutzung dieser Maschine diese Betriebsanleitung durch, und machen Sie sich sorgfältig mit dem ordnungsgemäßen Umgang mit dem Heckenschneider vertraut. BEI UNSACHGEMÄSSEM UMGANG MIT DIESER MASCHINE KANN ES ZU SCHWEREN VERLETZUNGEN KOMMEN!
- Geben Sie detaillierte Anweisungen über den ordnungsgemäßen Umgang mit dem Heckenschneider, wenn Sie diese Maschine an eine andere Person aushändigen. Stellen Sie sicher, dass mit dem Heckenschneider auch diese Betriebsanleitung übergeben wird.
- Unerfahrene Benutzer sollten sich von Ihrem Händler eine Grundeinweisung in den ordnungsgemäßen Umgang mit dem Heckenschneider geben lassen.
- Bewahren Sie diese Betriebsanleitung an einem Ort auf, an dem es problemlos für ein weiteres Nachschlagen zugänglich ist.
- Personen unter 18 Jahren ist die Bedienung des Heckenschneiders nicht gestattet. Personen über 16 Jahren jedoch ist die Bedienung des Heckenschneiders für Ausbildungszwecke gestattet, wenn diese Personen unter ständiger Aufsicht eines Erwachsenen steht, der mit der Bedienung des Heckenschneiders vertraut ist.
- Verwenden Sie den Heckenschneider ständig mit äußerster Vorsicht und Aufmerksamkeit.
- Versuchen Sie niemals, technische Änderungen an der Maschine vorzunehmen.
- Halten Sie die in Ihrem Land geltenden Gesetze und Bestimmungen bezüglich des Umgangs mit Heckenschneidern ein.
- Eine Benutzung des Heckenschneiders unter den im Folgenden aufgeführten Umständen kann zu schweren Verletzungen führen. Benutzen Sie den Heckenschneider nicht:
  - wenn Sie sich ermüdet oder krank fühlen
  - Wenn Sie unter dem Einfluss von Alkohol und/oder Medikamenten stehen
  - nachts oder bei unzureichender Beleuchtung
  - während der Schwangerschaft

## Verwendungszweck

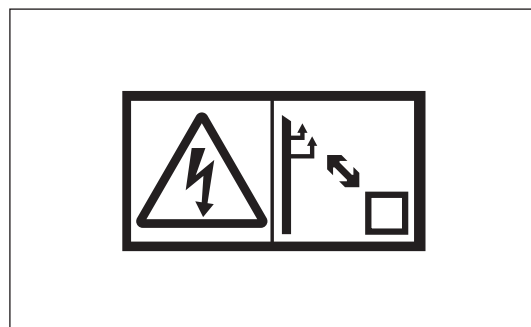
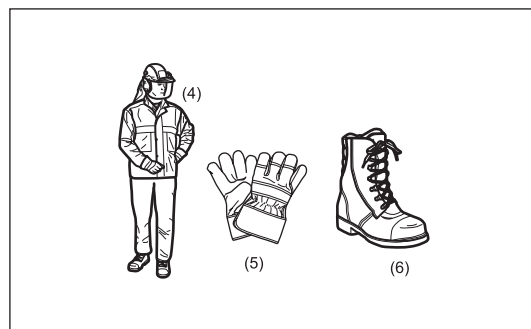
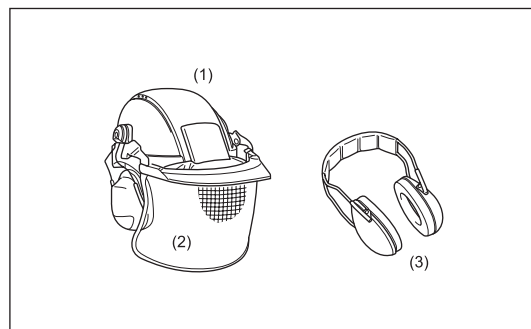
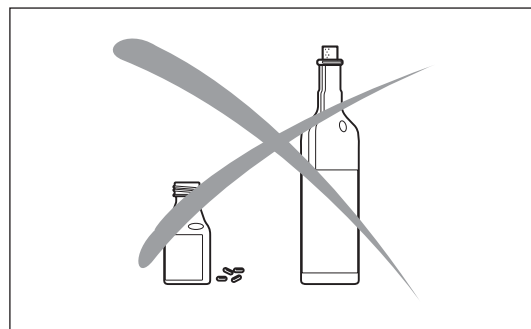
- Dieser Heckenschneider ist ausschließlich für das Trimmen von Hecken und Büschen vorgesehen. Verwenden Sie den Heckenschneider niemals für andere Zwecke.

## Persönliche Schutzausrüstung

- Tragen Sie zweckmäßige und geeignete Kleidung, die am Körper anliegt, jedoch nicht Ihre Bewegungen behindert. Tragen Sie keine weite Kleidung oder Schmuckstücke, die sich in Büschen, in Gestrüpp oder in der Maschine verfangen können.
- Um sich ausreichend gegen Verletzungen von Kopf, Augen, Füßen und Händen und gegen Gehörschäden zu schützen, ist bei Arbeiten mit dem Heckenschneider die im Folgenden aufgeführte Schutzausrüstung und Schutzkleidung zu tragen.
- Um Verletzungen des Kopfs und der Augen zu vermeiden, tragen Sie immer einen Schutzhelm (1) mit Schutzbrille oder Gesichtsschutz (2).
- Um Gehörschäden zu vermeiden, tragen Sie immer einen geeigneten Gehörschutz (3).
- Es wird dringen empfohlen, eine gut passende Arbeitskleidung (4) zu tragen.
- Tragen Sie beim Arbeiten mit dem Heckenschneider immer robuste Arbeitshandschuhe aus Leder (5).
- Tragen Sie beim Arbeiten mit dem Heckenschneider immer feste Schuhe (6) mit einer rutschfesten Sohle. Speziell ausgeführte Arbeitsschuhe sorgen für einen festen Stand und schützen vor Verletzungen.
- Tragen Sie beim Umgang mit Schneidmessern oder mit dem Schneidmesser Schutzhandschuhe. Schneidmesser können an ungeschützten Händen schwere Schnittwunden verursachen.

## Sicherheit am Arbeitsplatz

- ⚠ **GEFAHR:** Halten Sie den Heckenschneider fern von Elektro- und Datenleitungen. Bei Annäherung an oder gar Berührung von Hochspannungsleitungen mit dem Heckenschneider kann es zu schweren oder gar tödlichen Verletzungen kommen. Achten Sie vor Beginn der Arbeiten auf Stromversorgungsleitungen und Elektrozaune im Arbeitsbereich.
- Starten und betreiben Sie den Motor nur im Freien in gut belüfteten Bereichen. Bei Betrieb in geschlossenen Räumen oder unzureichend belüfteten Bereichen bestehen Erstickungsgefahr und die Gefahr einer Kohlenmonoxidvergiftung.
- Achten Sie darauf, dass umstehende Personen, insbesondere Kinder, und Tiere einen Abstand von mindestens 15 m zum Heckenschneider einhalten. Stoppen Sie den Motor sofort, wenn sich Personen nähern.
- Kontrollieren Sie vor Beginn der Arbeiten den Arbeitsbereich auf das Vorhandensein von Drahtzäunen, Steinen und sonstigen massiven Objekten. Durch derartige Objekte können die Schneidmesser beschädigt werden.
- ⚠ **WARNUNG:** Bei Gebrauch dieses Produkts kann Staub entstehen, der Chemikalien enthält, die Erkrankungen der Atemwege und andere Erkrankungen verursachen können. Beispiele solcher Chemikalien sind Bestandteile in Pestiziden, Insektiziden, Düngemitteln und Herbiziden. Die Höhe der Gesundheitsgefährdung hängt davon ab, wie oft Sie derartige Arbeiten ausführen. Damit Sie diesen Chemikalien weniger ausgesetzt sind, sorgen Sie für eine gute Belüftung des Arbeitsbereichs und verwenden Sie zugelassene Schutzausrüstungen, beispielsweise solche Staubmasken, die speziell für das Filtern mikroskopischer Partikel vorgesehen sind.



## Starten des Heckenschneiders

- Schalten Sie stets den Motor aus und ziehen Sie die Zündkerzenstecker, bevor Sie das Werkzeug zusammenbauen oder Einstellungen am Werkzeug vornehmen.
- Stellen Sie vor dem Starten des Heckenschneiders immer sicher, dass sich die Maschine in einem betriebssicheren Zustand befindet.
- Versuchen Sie niemals, den Motor zu starten, wenn die Maschine Schäden aufweist.
- Überprüfen Sie den Sicherheitsmechanismus des Gashebels auf ordnungsgemäße Funktion. Der Entriegelungshebel muss sich geschmeidig und problemlos betätigen lassen. Stellen Sie sicher, dass der Entriegelungshebel ordnungsgemäß funktioniert. Stellen Sie sicher, dass die Griffe sauber und trocken sind, und überprüfen Sie den STOPP-Schalter auf ordnungsgemäße Funktion.

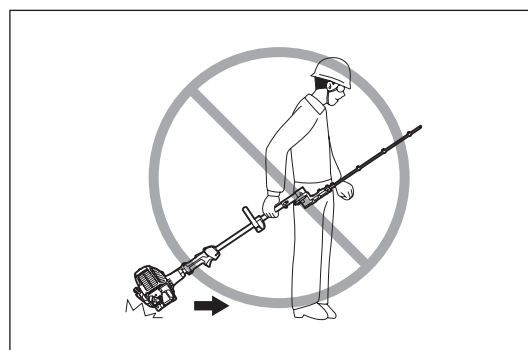
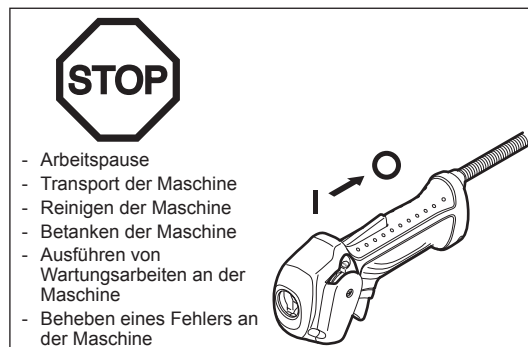
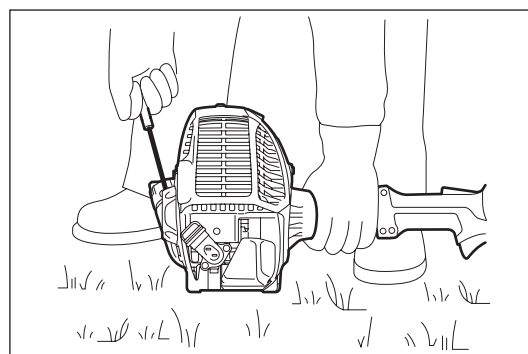
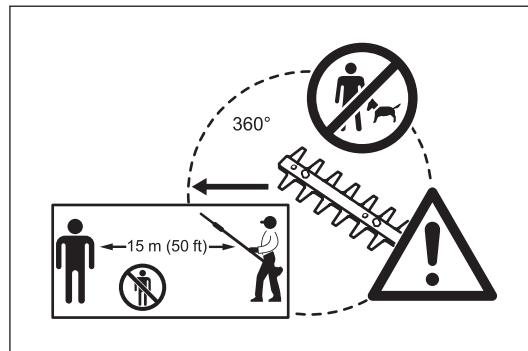
Starten Sie den Heckenschneider immer anhand der in dieser Betriebsanleitung aufgeführten Anleitung.

## Starten Sie den Heckenschneider anhand der im Folgenden aufgeführten Anleitung

- Starten Sie den Heckenschneider nur, wenn die Maschine vollständig zusammengebaut ist und alle Zubehörteile angebracht sind.
- Halten Sie die Schneidmesser von Ihrem Körper und anderen Objekten, einschließlich Boden, fern, wenn Sie den Motor starten. Beim Starten des Motors können die Schneidmesser in Bewegung geraten, wodurch es zu schweren Verletzungen und/oder Schäden an den Schneidmessern und/oder anderen Sachschäden kommen kann.
- Stellen Sie vor dem Starten des Motors sicher, dass die Schneidmesser nicht durch Fremdkörper wie Steine, Äste usw. blockiert sind.
- Stoppen Sie bei Auftreten von Motorproblemen den Motor sofort.
- Halten Sie die Maschine mit der linken Hand fest gegen den Boden, wenn Sie den Startergriff ziehen. Treten Sie niemals auf die Antriebswelle.
- Wenn sich die Schneidmesser im Leerlauf des Motors bewegen, stoppen Sie den Motor, und stellen Sie eine niedrigere Leerlaufdrehzahl ein.
- Erfassen Sie den Heckenschneider bei Ausführen der Arbeiten immer fest an beiden Griffen. Legen Sie Ihre Finger fest um beide Griffe, erfassen Sie den Griff dabei fest mit Daumen und Zeigefinger. Vermeiden Sie während der Arbeiten das Wechseln Ihres Griffs, damit Sie den Heckenschneider zu jeder Zeit sicher unter Kontrolle haben. Stellen Sie sicher, dass sich die Bedienelemente in ordnungsgemäßem Zustand befinden und frei von Feuchtigkeit, Schmutz, Öl und Fett ist.

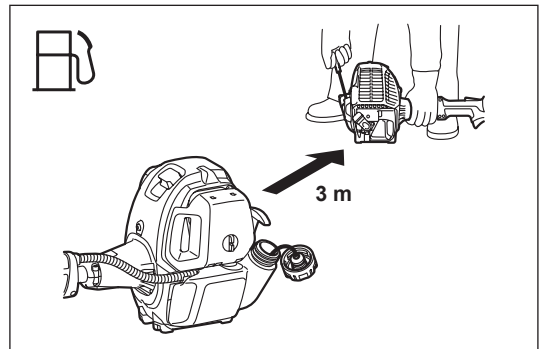
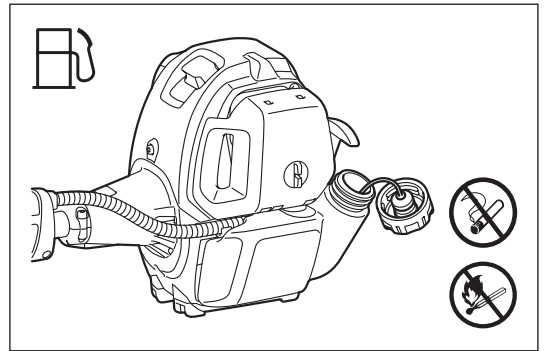
## Sorgen Sie immer für einen sicheren, ausbalancierten Stand

- Wenn Probleme mit dem Motor auftreten oder die Maschine ungewöhnliche Geräusche von sich gibt, stoppen Sie den Motor sofort.
- Abgase sind giftig. Betreiben Sie die Maschine niemals in geschlossenen Räumen oder in einem Tunnel ohne Belüftung (Erstickungsgefahr und Gefahr einer Kohlenmonoxidvergiftung). Bedenken Sie, dass Kohlenmonoxid ein geruchloses Gas ist. Stellen Sie immer sicher, dass der Bereich, in dem die Maschine betrieben wird, gut belüftet ist.
- Stoppen Sie den Motor, wenn Sie eine Pause einlegen oder wenn Sie die Maschine unbeaufsichtigt lassen. Legen Sie die Maschine an einem sicheren Ort ab, und stellen Sie sicher, dass sich keine brennbaren Materialien in der Nähe befinden.
- Legen Sie einen warmen Heckenschneider niemals auf trockenem Gras oder auf brennbaren Materialien ab.
- Halten Sie den Motor und den Schalldämpfer stets frei von Schnittabfällen, Blättern und übermäßigem Schmierstoff, um die Gefahr eines Brandes zu vermeiden.
- Betreiben Sie den Motor niemals mit beschädigtem Schalldämpfer.
- Schalten Sie vor jedem Transport den Motor aus.
- Stoppen Sie den Motor immer unter folgenden Bedingungen:
  - Arbeitspause
  - Transport der Maschine
  - Reinigen der Maschine
  - Betanken der Maschine
  - Ausführen von Wartungsarbeiten an der Maschine
  - Beheben eines Fehlers an der Maschine
- Erfassen Sie die Maschine zum Tragen an der Achse, und tragen Sie die Maschine waagrecht. Halten Sie den heißen Auspuffschalldämpfer von Ihrem Körper fern.
- Beim Transport der Maschine in einem Fahrzeug befestigen Sie den Heckenschneider immer so, dass kein noch vorhandener Kraftstoff austreten kann.
- Leeren Sie immer erst den Kraftstofftank, bevor Sie den Heckenschneider in einem Fahrzeug transportieren.
- Lassen Sie beim Abladen des Heckenschneiders von einem Fahrzeug die Maschine niemals fallen; anderenfalls kann der Kraftstofftank beschädigt werden.
- Lassen Sie den Heckenschneider nur in einem Notfall fallen, da der Heckenschneider bei Fallenlassen ernsthaft beschädigt werden kann.
- Heben Sie bei einem Umsetzen des Heckenschneiders den Heckenschneider immer vollständig vom Boden ab. Ziehen Sie die Maschine niemals über den Boden, da anderenfalls der Kraftstofftank beschädigt werden kann, wodurch es zu einem Brand kommen kann.
- Setzen Sie vor Lagerung und Transport immer den Schneidblattschutz auf das Schneidblatt des Heckenschneiders auf, damit die Schneidmesser keine Gefahr darstellen und geschützt sind.
- Nachdem die Maschine einem starken Stoß ausgesetzt war oder heruntergefallen ist, überprüfen Sie den Zustand der Maschine, bevor Sie die Arbeiten fortsetzen. Überprüfen Sie das Kraftstoffsystem auf Leckagen und die Bedienelemente und Sicherheitseinrichtungen auf Fehlfunktionen. Wenn Sie einen Schaden an der Maschine bemerken oder sich nicht sicher sind, wenden Sie sich zur Inspektion und Reparatur an unser autorisiertes Servicecenter.



## Betanken

- Stoppen Sie vor dem Betanken zuerst den Motor.
- Betanken Sie die Maschine niemals in der Nähe offener Flammen.
- Beim Betanken ist Rauchen verboten.
- Warten Sie vor dem Betanken, bis sich der Motor ausreichend abgekühlt hat.
- Vermeiden Sie den Hautkontakt mit Mineralölprodukten. Atmen Sie Kraftstoffdämpfe nicht ein, und tragen Sie beim Betanken Schutzhandschuhe. Wechseln und reinigen Sie Schutzkleidung und Schutzausrüstung regelmäßig.
- Achten Sie besonders darauf, dass kein Kraftstoff und kein Öl verschüttet wird, um eine Verunreinigung des Bodens zu vermeiden (Umweltschutz). Wenn Kraftstoff oder Öl auf den Heckenschneider verschüttet wurde, wischen Sie die Außenflächen des Heckenschneiders sofort mit einem Putzlappen ab. Lassen Sie durchfeuchtete Putzlappen ausreichend trocknen, bevor Sie sie in einen geschlossenen Behälter entsorgen, um ein Selbstentzündung zu vermeiden.
- Achten Sie darauf, dass Ihre Kleidung nicht in Kontakt mit Kraftstoff kommt. Wechseln Sie mit Kraftstoff verunreinigte Kleidung sofort (Brandgefahr).
- Schließen Sie den Kraftstofftank und schrauben Sie den Tankdeckel fest auf. Bringen Sie den Heckenschneider mindestens 3 m vom Ort des Betankens weg, bevor Sie den Motor starten.
- Überprüfen Sie den Tankdeckel regelmäßig und stellen Sie dabei sicher, dass er Tankdeckel fest aufgeschraubt ist.
- Betanken Sie die Maschine niemals in geschlossenen Räumen. Kraftstoffdämpfe sammeln sich am Fußboden an (Explosionsgefahr).
- Bewahren Sie Kraftstoffe nur in zugelassenen Behältern auf, und stellen Sie Sie sicher, dass sich diese Kraftstoffe außerhalb der Reichweite von Kindern befinden.



## Bedienung

- Schalten Sie bei einem Notfall sofort den Motor aus.
- Schalten Sie den Motor aus, wenn Sie während des Betriebs etwas Ungewöhnliches (z. B. ungewöhnliche Geräusche, Vibrationen) bemerken. Verwenden Sie den Heckenschneider erst dann wieder, nachdem die Ursache gefunden und behoben wurde.
- Nach dem Loslassen des Gashebels bzw. Ausschalten des Motors laufen die Schneidmesser noch eine kurze Zeit nach. Berühren Sie die Schneidmesser erst nach vollständigem Stillstand.
- Betreiben Sie die Maschine niemals einhändig. Dadurch kann es zum Verlust der Kontrolle und zu schweren oder gar tödlichen Verletzungen kommen. Halten Sie Hände und Füße von den Messern fern, um die Gefahr von Schnittverletzungen zu vermeiden.
- Halten Sie während der Arbeiten Ihre rechte Hand unter Schulterhöhe. Anderenfalls kann es zu Kontrollverlust und dadurch zu Verletzungen kommen.
- Achten Sie während der Arbeiten darauf, dass die Schneidmesser nicht auf harte Gegenstände wie z. B. Steine oder Metallteile treffen. Geben Sie beim Schneiden von Hecken in der Nähe oder an Drahtzäunen besondere Obacht. Stellen Sie bei Arbeiten kurz über dem Boden sicher, dass kein Sand, Kies oder Steine zwischen die Messer gelangen.
- Falls die Messer in Kontakt mit Steinen oder anderen Festkörpern gekommen sind, stoppen Sie sofort den Motor, ziehen Sie den Zündkerzenstecker ab, und prüfen Sie die Messer auf Beschädigungen. Ersetzen Sie beschädigte Messer.
- Halten Sie sich von sich bewegenden Messern fern und berühren Sie diese niemals. Die Messer können problemlos einen Finger abtrennen. Schalten Sie stets den Motor aus und ziehen Sie die Zündkerzenstecker ab, bevor Sie die Messer berühren oder sich diesen nähern.
- Falls sich dicke Äste in den Messern verfangen haben, stoppen Sie sofort den Motor, legen Sie den Heckenschneider ab, ziehen Sie den Zündkerzenstecker ab und entfernen Sie anschließend die Blockierung. Prüfen Sie vor erneuter Verwendung der Maschine die Messer auf Beschädigungen.
- Durch ein Erhöhen der Motordrehzahl bei blockierten Messern erhöht sich die Last, und der Motor und/oder die Kupplung können beschädigt werden.
- Prüfen Sie die Schneidmesser während des Betriebs regelmäßig auf Risse oder stumpfe Schneiden. Schalten Sie vor dem Überprüfen den Motor aus und warten Sie, bis die Messer ganz stoppen. Ersetzen Sie beschädigte oder stumpfe Schneidmesser sofort, auch wenn sie nur oberflächliche Risse aufweisen.
- Berühren Sie das Getriebe nicht. Bei Betrieb erhitzt sich das Getriebe.
- Legen Sie regelmäßig Pausen ein, damit es nicht zu einem Kontrollverlust aufgrund von Ermüdungserscheinungen kommt. Wir empfehlen, jede Stunde eine Pause von 10 bis 20 Minuten einzulegen.
- Ziehen Sie vor dem Schneiden den Gashebel voll, damit der Motor die maximale Drehzahl erreicht.
- Halten Sie während der Arbeiten den Heckenschneider immer mit beiden Händen fest.
- Verwenden Sie den Heckenschneider nur bei guten Licht- und Sichtverhältnissen. Achten Sie in der kalten Jahreszeit auf rutschige und nasse Flächen (Eis und Schnee, Rutschgefahr), und achten Sie immer auf sicheren Stand.
- Führen Sie Arbeiten mit dem Heckenschneider niemals auf einer instabilen Fläche oder an einem Steilhang stehend aus.
- Führen Sie Arbeiten mit dem Heckenschneider niemals auf einer Leiter stehend aus.
- Klettern Sie niemals auf Bäume, um dort Arbeiten mit dem Heckenschneider auszuführen.
- Gehen Sie beim Arbeiten mit dem Heckenschneider niemals rückwärts, damit Sie nicht stolpern oder über Gegenstände fallen.
- Stoppen Sie immer den Motor, bevor Sie die Maschine reinigen oder warten. Stoppen Sie immer den Motor, bevor Sie Bauteile an der Maschine austauschen.
- Wenn das Schneidblatt beschädigt oder verschlissen ist, betreiben Sie den Heckenschneider nicht.



## Schwingung

- Wenn sich Personen mit Durchblutungsstörungen zu starken mechanischen Schwingungen aussetzen, kann es zu Schädigungen von Blutgefäßen und/oder Nervensystem kommen. Durch mechanische Schwingungen können an Fingern, Händen oder Handgelenken folgende Symptome auftreten: „Einschlafen“ von Körperteilen (Taubheit), Kribbeln, Schmerz, Stechen, Veränderung von Hautfarbe oder Haut. Falls eines dieser Symptome auftritt, suchen Sie einen Arzt auf!
- Um das Risiko der „Weißfingerkrankheit“ zu verringern, halten Sie Ihre Hände während des Arbeitens warm, und warten und pflegen Sie Maschine und Zubehörteile gut.

## Wartungsanweisungen

- Lassen Sie Ihre Maschine durch unser autorisiertes Servicecenter warten, verwenden Sie stets nur Originalersatzteile. Unsachgemäße Reparatur- und Wartungsarbeiten können die Lebenszeit der Maschine verkürzen und das Unfallrisiko erhöhen.
- Seien Sie stets bemüht, Umweltbelastung und Geräuscentwicklung so gering wie möglich zu halten. Überprüfen Sie vor allem, ob der Vergaser ordnungsgemäß eingestellt ist.
- Reinigen Sie den Heckenschneider regelmäßig, und überprüfen Sie, ob alle Schrauben und Muttern fest angezogen sind.
- Warten oder lagern Sie den Heckenschneider niemals in der Nähe offener Flammen, von Funken usw.
- Reparieren Sie verbogene oder gebrochene Messer niemals durch Geradebiegen oder Schweißen. Anderenfalls könnten sich Teile der Messer lösen und zu schweren Verletzungen führen. Wenden Sie sich zum Austauschen defekter Messer durch originale DOLMAR-Messer an Ihr autorisiertes DOLMAR Servicecenter.
- Damit es nicht zu weiteren Schäden und/oder Verletzungen kommt, darf ein beschädigter Heckenschneider nur von dafür qualifiziertem Personal repariert werden. Wenden Sie sich bei notwendigen Reparaturen immer an Ihren Händler oder ein autorisiertes Servicezentrum.

Nehmen Sie keine Änderungen oder Umbauten am Heckenschneider vor, da dadurch die Betriebssicherheit beeinträchtigt wird.

Vom Benutzer können ausschließlich die in dieser Betriebsanleitung aufgeführten Wartungsarbeiten vorgenommen werden. Alle sonstigen Arbeiten an der Maschine müssen von autorisiertem Wartungspersonal durchgeführt werden. Wenden Sie sich an Ihr autorisiertes DOLMAR Servicecenter, um eine regelmäßige Inspektion und Wartung des Heckenschneiders vornehmen zu lassen. Verwenden Sie ausschließlich Original-Ersatzteile und Original-Zubehörteile von DOLMAR, die Sie über autorisierte Servicecenter bezogen haben. Die Verwendung nicht freigegebener Zubehörteile und Werkzeuge führt zu einer erhöhten Gefahr von Unfällen und Verletzungen. DOLMAR übernimmt für Personen- oder Sachschäden, die durch die Verwendung nicht freigegebener Zubehörteile und Bauteile verursacht wurden, keinerlei Haftung.

## Aufbewahrung

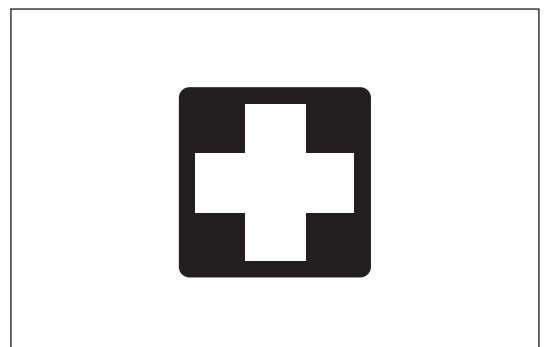
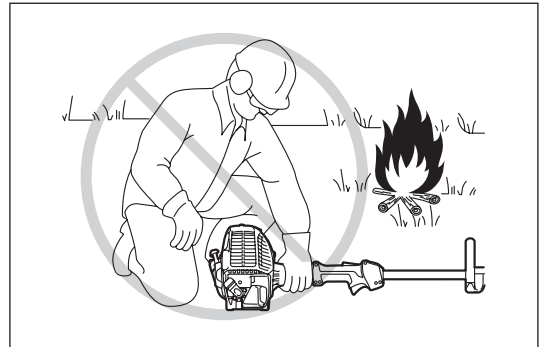
- Nehmen Sie eine gründliche Reinigung und Wartung der Maschine vor, bevor Sie die Maschine einlagern. Bringen Sie den Schneidblattschutz auf.
- Leeren Sie vor der Einlagerung den Kraftstofftank, und bewahren Sie den Heckenschneider nur in einem gut belüfteten, verschließbaren Raum auf. Sorgen Sie dafür, dass Kinder keinen Zugang zum Heckenschneider haben.
- Lehnen Sie die Maschine niemals gegen etwas an, beispielsweise gegen eine Wand. Anderenfalls könnte der Heckenschneider plötzlich umfallen und Verletzungen verursachen.

## Erste Hilfe

Stellen Sie für den Fall eines Unfalls sicher, dass in der Nähe des Arbeitsortes ein ordnungsgemäß befüllter Erste-Hilfe-Kasten verfügbar ist. Füllen Sie sämtliche aus dem Erste-Hilfe-Kasten entnommenen Materialien unverzüglich auf.

## Machen Sie bei einem Notruf folgende Angaben:

- Ort des Unfalls
- Was ist passiert
- Anzahl der verletzten Personen
- Schwere der Verletzungen
- Ihr Name



**Nur für europäische Länder**  
**EG-Konformitätserklärung**

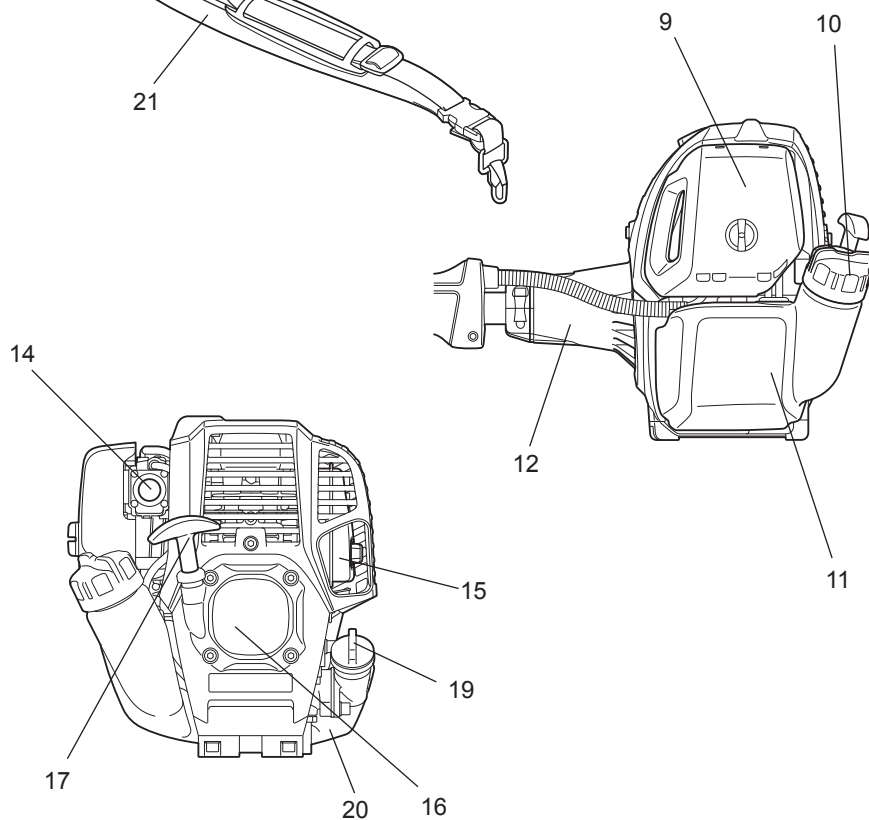
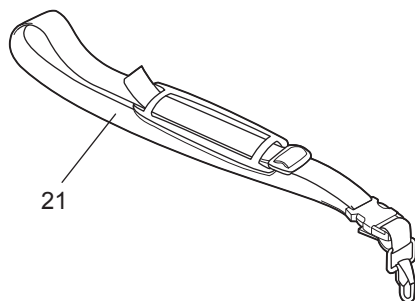
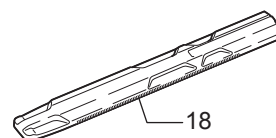
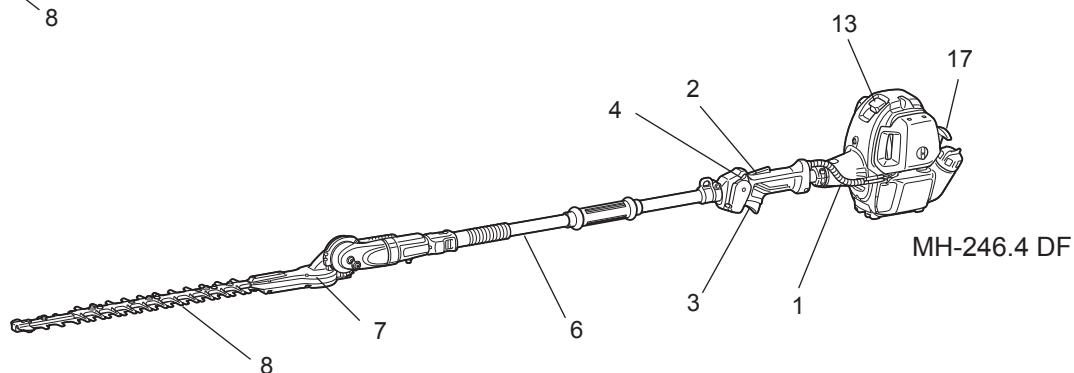
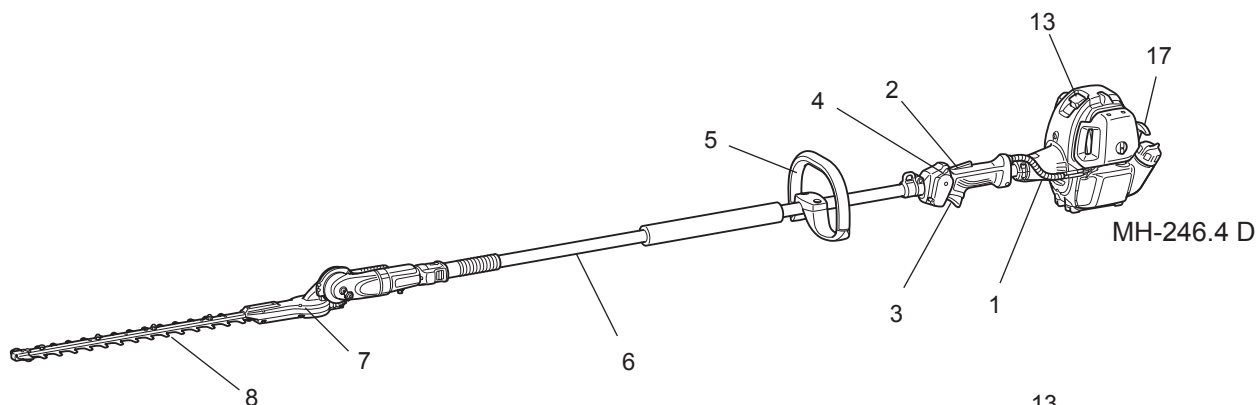
Die EG-Konformitätserklärung liegt dieser Betriebsanleitung als Anhang A bei.

## TECHNISCHE DATEN

Modell	MH-246.4 D		MH-246.4 DF		
	Bügelgriff		Gerader Griff		
Abmessungen (L x B x H)	2.550 mm x 242 mm x 241 mm		2.050 mm x 221 mm x 241 mm		
Nettogewicht	6,9 kg		6,6 kg		
Fassungsvermögen (Kraftstofftank)	0,6 l				
Schnittlänge	490 mm				
Maximaler Astdurchmesser	7 mm				
Hubzahl	4.200 min <sup>-1</sup>				
Motortyp	Luftgekühlter, 4-Takt-Einzylinder				
Motor-Hubraum	25,4 cm <sup>3</sup>				
Maximale Motorleistung	0,77 kW bei 7.000 min <sup>-1</sup>				
Motordrehzahl bei empfohlener max. Wellendrehzahl	10.000 min <sup>-1</sup>				
Kraftstoffverbrauch	0,33 kg/h				
Spezifischer Kraftstoffverbrauch	408 g/kWh				
Leerlaufdrehzahl	3.000 min <sup>-1</sup>				
Drehzahl für Kupplungseingriff	4.400 min <sup>-1</sup>				
Vergaser (Membranvergaser)	Membrantyp				
Zündkerze	Typ	NGK CMR4A			
Elektrodenabstand	0,7 bis 0,8 mm				
		Schwingungen nach ISO 10517		Schwingungen nach ISO 10517	
Rechter Griff (hinterer Griff)	a <sub>hv eq</sub>	8,5 m/s <sup>2</sup>		7,0 m/s <sup>2</sup>	
	Abweichung K	1,3 m/s <sup>2</sup>		3,1 m/s <sup>2</sup>	
Linker Griff (vorderer Griff)	a <sub>hv eq</sub>	6,4 m/s <sup>2</sup>		5,1 m/s <sup>2</sup>	
	Abweichung K	2,6 m/s <sup>2</sup>		1,5 m/s <sup>2</sup>	
		Geräusentwicklung gemäß ISO 10517		Geräusentwicklung gemäß ISO 10517	
Schalldruckpegel	90 dB (A)		90,2 dB (A)		
Abweichung K	1,8 dB (A)		1,0 dB (A)		
Schalleistungspegel	103,0 dB (A)		104,1 dB (A)		
Abweichung K	1,0 dB (A)		0,4 dB (A)		
Kraftstoff	Kfz-Ottokraftstoff (Benzin)				
Motoröl	Klasse SF oder höher nach API-Klassifikation, Klasse 10W-30 nach SAE-Klassifikation (Motoröl für Auto-Viertaktmotor)				
Übersetzung Getriebe	1/4,78				



## BEZEICHNUNG DER BAUTEILE



	Bezeichnung der Bauteile
1	Gasseilzug
2	Entriegelungshebel
3	Gashebel
4	Stoppschalter
5	Griff
6	Achse
7	Getriebe
8	Schneidmesser
9	Luftfilter
10	Kraftstoff-Tankdeckel
11	Kraftstofftank
12	Kupplungsgehäuse
13	Zündkerzenstecker
14	Anlasseinspritzpumpe
15	Schalldämpfer
16	Seilzugstarter
17	Startergriff
18	Schneidblattschutz
19	Öldeckel
20	Öltank
21	Umhängeriemen (optionales Zubehör)

## MONTAGE

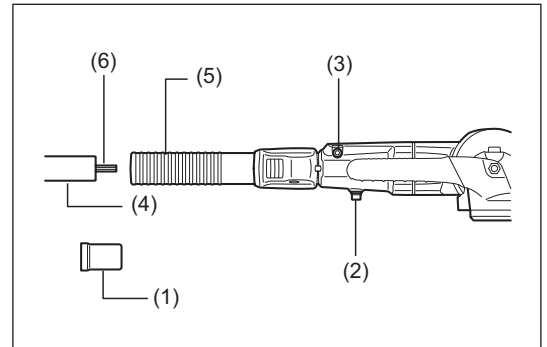
### ⚠ WARNUNG:

- Stellen Sie vor dem Zusammenbauen des Heckenschneiders sicher, dass der Motor ausgeschaltet ist, und ziehen Sie den Zündkerzenstecker ab.
- Tragen Sie Schutzhandschuhe!
- Schützen Sie die Schneidblätter mit Hilfe der mitgelieferten Schneidblattabdeckung, bevor Sie das Schneidwerk an den Stab anbringen.

1. Nehmen Sie die Kappe (1) von der Achse ab.
2. Lösen Sie die Schrauben M5 x 16 (2) und M5 x 25 (3).
3. Schieben Sie die Achse (4) in die Abdeckung (5) ein.

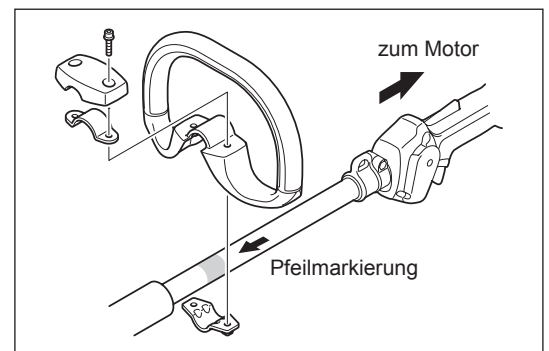
HINWEIS: Achten Sie darauf, dass die Achse vollständig in die Abdeckung eingeschoben ist (ca. 237 mm/9-3/8").  
Wenn sich die Achse nicht problemlos einschieben lässt, drehen Sie die Antriebswelle (6) etwas, und versuchen Sie es erneut.

4. Stellen Sie sicher, dass die Achse ordnungsgemäß eingeschoben ist, und ziehen Sie anschließend die Schrauben M5 x 16 und M5 x 25 fest.



### BEFESTIGUNG DES GRIFFS (für MH-246.4 D)

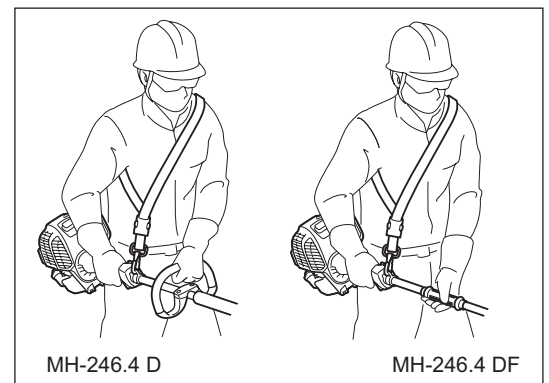
- Befestigen Sie den Bügelgriff wie dargestellt auf die Achse.
- Positionieren Sie den Bügelgriff vor den Pfeilen, damit die Griffe einen ausreichenden Abstand voneinander haben.



## UMHÄNGERIEMEN (Sonderzubehör)

### Anleitung zum Tragen des Umhängeriemens

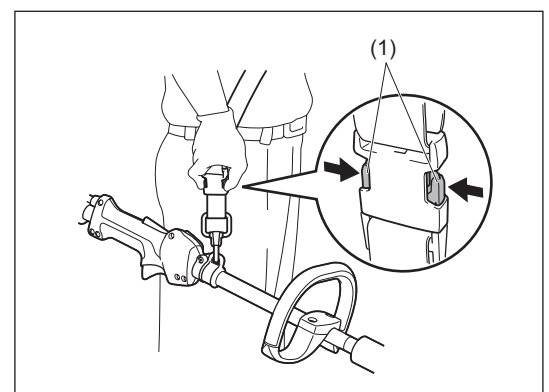
- Tragen Sie den Umhängeriemen über der linken Schulter.
- Halten Sie die Stabheckenschere auf der rechten Seite Ihres Körpers.
- Befestigen Sie den Träger an den gelieferten Einhänger auf der Stabheckenschere und passen Sie die Länge des Trägers an, damit Sie dadurch eine angenehme Arbeitsposition bekommen.



### Abtrennung

- Drücken Sie im Notfall die Einrastungen (1) an beiden Seiten, und Sie können das Werkzeug von sich abtrennen.  
Gehen Sie äußerst vorsichtig vor, damit Sie jederzeit die Kontrolle über die Maschine behalten. Lassen Sie nicht zu, dass die Maschine in Ihre Richtung oder in Richtung anderer Personen in Ihrer Nähe abprallt.

WARNUNG: Andernfalls können Sie die Kontrolle über das Werkzeug verlieren, wodurch es zu schweren oder gar TÖDLICHEN Verletzungen kommen kann.



## VOR DEM BETRIEB

### Überprüfen und Nachfüllen von Motoröl

- Gehen Sie dazu, bei abgekühltem Motor, wie folgt vor.
- Legen Sie den Motor waagrecht ab, entfernen Sie den Öldeckel (Abb. 1) und prüfen Sie, ob Sie Öl im Bereich zwischen den oberen und unteren Grenzmarkierungen der Ölleitung sehen (Abb. 2).
- Füllen Sie Öl bis zur oberen Grenzmarkierung auf, falls nicht ausreichend Öl vorhanden ist (Ölstand nahe der unteren Grenzmarkierung) (Abb. 3).
- Der Bereich um die Markierungen außen ist transparent, so dass Sie den Ölstand im Inneren prüfen können, ohne den Öldeckel abzunehmen. Wenn die Ölleitung jedoch stark verschmutzt ist, kann die Sichtbarkeit verloren gehen, und der Ölstand muss am gestuften Bereich im Inneren der Ölleitung geprüft werden.
- Als Richtgröße sollten 10 Stunden für die Zeit für das Nachfüllen von Öl angenommen werden (d. h. nach ca. 10 Auftankungen). Falls das Öl seine Farbe geändert oder sich mit Schmutz vermischt hat, ersetzen Sie es durch neues Öl. (Weitere Informationen zum Intervall und der Methode des Ölwechsels finden Sie auf Seite 68.)

**Empfohlenes Öl:** Öl der API-Klassifikation SAE 10W-30, Klasse SF oder höher (Viertaktmotor für Kfz)

**Ölmenge:** ca. 0,08 l

**HINWEIS:** Falls der Motor nicht aufrecht gehalten wird, kann Öl rund um den Motor fließen, sodass zu viel Öl nachgefüllt wird. Falls zu viel Öl eingefüllt wird, kann das Öl verschmutzt werden oder unter weißer Rauchentwicklung verbrennen.

### Punkt 1 beim Ölwechsel: „Öldeckel“

- Entfernen Sie Staub und Schmutz um den Öleinfüllstutzen, und nehmen Sie den Öldeckel ab.
- Halten Sie den abgenommenen Öldeckel frei von Sand und Staub. Andernfalls kann am Öldeckel anheftender Sand oder Staub eine abnormale Ölzirkulation oder einen Verschleiß der Motorteile und Probleme verursachen.

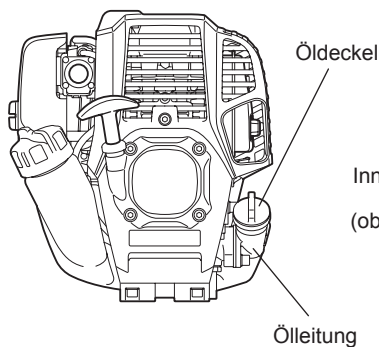


Abb. 1

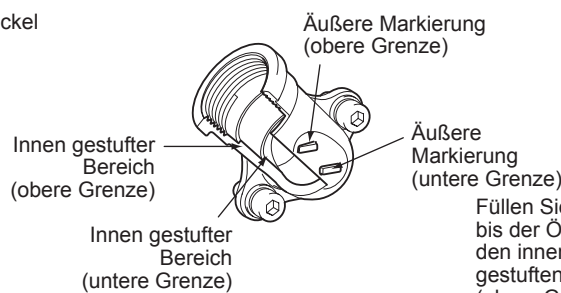
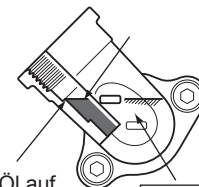


Abb. 2 Ölleitung

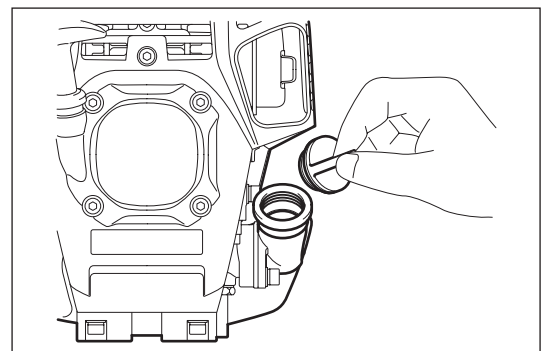


Füllen Sie Öl auf, bis der Ölstand den innen gestuften Bereich (obere Grenze) erreicht.

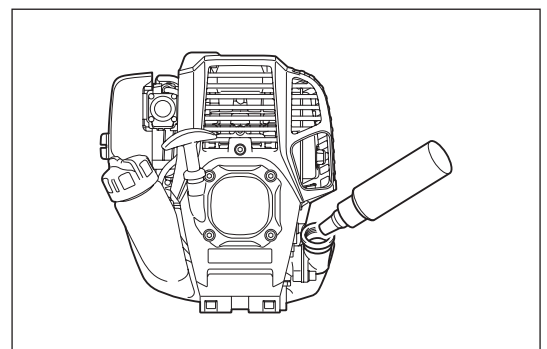
Der Bereich zwischen der äußeren oberen und der äußeren unteren Grenze ist transparent, so können Sie den Ölstand von außen gegen diese Markierungen prüfen.

Abb. 3

(1) Halten Sie den Motor waagrecht, und nehmen Sie den Öldeckel ab.



(2) Füllen Sie Öl bis zur Markierung für die Obergrenze auf (siehe Abb. 3). Verwenden Sie zum Auffüllen eine Ölfflasche.



(3) Schrauben Sie den Öldeckel fest auf. Bei unzureichendem Festschrauben kann Öl auslaufen.

#### Hinweis

- Füllen Sie Öl nicht in geneigter Position des Motors auf.
- Beim Auffüllen von Öl mit dem Motor in einer geneigten Position wird zu viel Öl aufgefüllt, und es kann zu Ölverschmutzungen und/oder Ölnebelbildung kommen.

#### Punkt 2 beim Ölwechsel: „Falls Öl danebenläuft“

- Falls Öl zwischen Kraftstofftank und Motorenhauptblock gelangt, wird dieses Öl über den Kühlluft einlass angesaugt, wodurch der Motor verunreinigt wird. Wischen Sie vor dem Start des Betriebs danebengelaufenes Öl unbedingt gründlich ab.

## BETANKEN

### Umgang mit Kraftstoff

Beim Umgang mit Kraftstoff ist äußerste Vorsicht geboten. Kraftstoffe können Lösungsmitteln ähnliche Substanzen enthalten. Das Betanken muss in einem gut belüfteten Raum oder im Freien erfolgen. Atmen Sie Kraftstoffdämpfe nicht ein, und vermeiden Sie jeglichen Körperkontakt mit Kraftstoff. Durch anhaltenden oder wiederholten Hautkontakt wird die Haut trocken, und es kann zu Hauterkrankungen oder allergischen Reaktionen kommen. Falls Kraftstoff in die Augen gelangt, spülen Sie die Augen sofort mit sauberem Wasser! Falls die Augenirritation anhält, suchen Sie einen Arzt auf.

### Aufbewahrungszeitraum von Kraftstoff

Kraftstoff sollte innerhalb eines Zeitraums von 4 Wochen verwendet werden, auch wenn er in einem speziellen Behälter an einem gut belüfteten, schattigen Ort gelagert wird.

Andernfalls kann sich der Kraftstoff schon innerhalb eines Tages zersetzen.

### AUFBEWAHREN DER MASCHINE UND DES KRAFTSTOFFKANISTERS

- Lagern Sie die Maschine und den Kraftstoffkanister an einem kühlen Ort ohne direkte Sonneneinstrahlung.
- Bewahren Sie Kraftstoff niemals in einem Kraftfahrzeug auf.

### Kraftstoff

Bei dem Motor handelt es sich um einen Viertaktmotor. Verwenden Sie ausschließlich einen unverbleiten Kfz-Ottokraftstoff mit mindestens 87 Oktan ((R+M)/2). Der Alkoholanteil darf maximal 10 % (E-10) betragen.

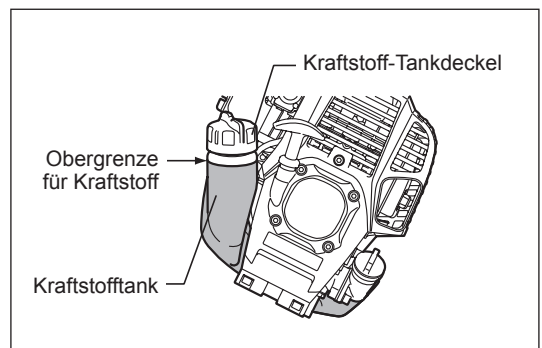
### Wichtige Punkte zum Kraftstoff

- Verwenden Sie niemals ein Gemisch aus Kraftstoff und Motoröl. Andernfalls treten übermäßige Kohleablagerungen oder mechanische Probleme auf.
- Die Verwendung von minderwertigem Öl führt zu einem ungleichförmigen Anlaufen.

### Betanken

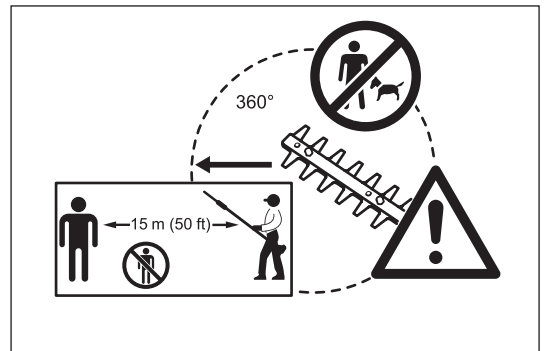
#### WARNUNG: UMGANG MIT OFFENEN FLAMMEN STRENGSTENS VERBOTEN!

- Lösen Sie den Tankdeckel etwas, um den Druck abzulassen.
  - Nehmen Sie den Tankdeckel ab. Tanken Sie die Maschine auf und leiten Sie die Luft ab, indem Sie den Kraftstofftank neigen, sodass der Einfüllstutzen nach oben zeigt. (Füllen Sie den Tank NICHT randvoll.)
  - Wischen Sie den Bereich um den Tankdeckel gut sauber, damit keine Fremdkörper in den Kraftstofftank eindringen können.
  - Schrauben Sie nach dem Betanken den Tankdeckel ordnungsgemäß fest.
- 
- Falls der Tankdeckel Makel oder Beschädigungen aufweist, ersetzen Sie den Deckel.
  - Der Tankdeckel nutzt sich im Laufe der Zeit ab. Ersetzen Sie den Tankdeckel alle zwei bis drei Jahre.



## SICHERHEITSMASSNAHMEN VOR DEM STARTEN DES MOTORS

- Sorgen Sie um den Arbeitsbereich zu jeder Zeit für eine Sicherheitszone mit einem Durchmesser von 15 m. Stellen Sie sicher, dass keine Personen (insbesondere Kinder) und/oder Tiere diese Zone betreten.
- Stellen Sie vor dem Verwenden des Heckenschneiders sicher, dass sich die Maschine in einem betriebssicheren Zustand befindet. Stellen Sie sicher, dass die Schneidmesser nicht beschädigt sind, und überprüfen Sie, ob sich der Gashebel problemlos betätigen lässt. Stellen Sie sicher, dass sich die Schneidmesser nicht bewegen, wenn der Motor im Leerlauf läuft. Wenn sich die Maschine nicht normal verhält, wenden Sie sich an Ihren Händler, damit dieser die Maschine einstellt. Stellen Sie sicher, dass die Griffe sauber und trocken sind, und dass der EIN/AUS-Schalter ordnungsgemäß funktioniert. Starten Sie den Motor nur auf die in dieser Betriebsanleitung vorgegebene Weise. Starten Sie den Heckenschneider auf keine andere Weise!
- Starten Sie den Motor des Heckenschneiders erst, nachdem Sie alle Anweisungen gelesen und verstanden haben. Versuchen Sie niemals, einen Heckenschneider zu starten, der noch nicht vollständig zusammengebaut wurde. Andernfalls kann es zu schweren Verletzungen kommen.
- Stellen Sie vor dem Starten des Motors immer erst sicher, dass die Schneidmesser nicht durch Steine, Äste oder andere harte Objekte blockiert sind.
- Suchen Sie den Arbeitsbereich auf Drähte, Kabel, Leinen, Glas oder sonstige Fremdkörper ab, die von den Schneidmessern erfasst werden könnten.
- Elektrischer Schlag: Achten Sie auf Elektroleitungen in der Nähe. Suchen Sie vor Beginn der Arbeiten den gesamten Arbeitsbereich nach Hochspannungsleitungen und Elektrozäunen ab.



## WICHTIGE BETRIEBSSCHRITTE UND STOPPEN DER MASCHINE

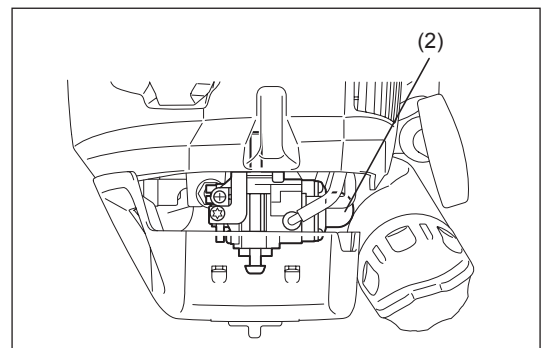
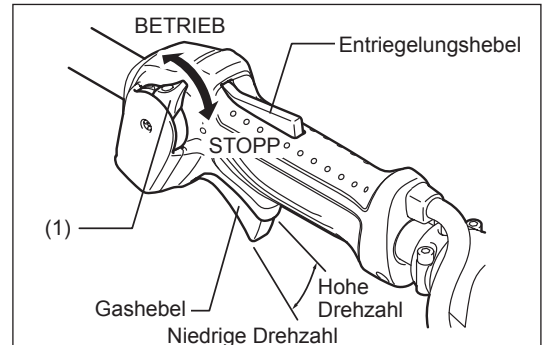
Beachten Sie die geltenden Bestimmungen zur Unfallverhütung!

### STARTEN

Bewegen Sie sich mindestens 3 m von dem Platz des Betankens weg. Legen Sie den Heckenschneider auf einem sauberen Untergrund ab. Achten Sie darauf, dass die Schneidmesser nicht in Kontakt mit dem Erdboden oder anderen Gegenständen kommen.

#### A: Kaltstart

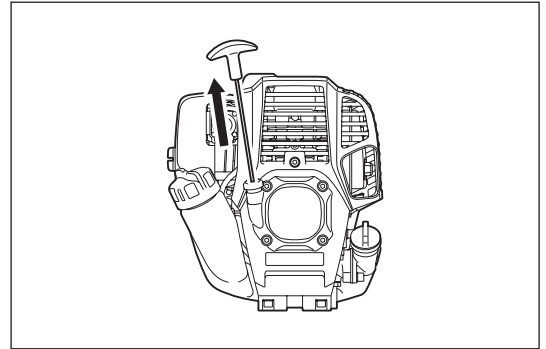
- 1) Legen Sie das Werkzeug auf einer ebenen Fläche ab.
- 2) Stellen Sie den EIN/AUS-Schalter (1) auf BETRIEB.
- 3) Anlasseinspritzpumpe  
Drücken Sie die Anlasseinspritzpumpe (2) so lange, bis Kraftstoff in die Anlasseinspritzpumpe eintritt. (Im Allgemeinen tritt Kraftstoff nach 7 bis 10 Pumpvorgängen in die Anlasseinspritzpumpe ein.) Falls die Anlasseinspritzpumpe zu lange betätigt wird, fließt überflüssiger Kraftstoff zurück in den Kraftstofftank.



- 4) Seilzugstarter  
Ziehen Sie langsam den Startergriff, bis Sie einen deutlichen Widerstand spüren (Verdichtungspunkt). Lassen Sie den Startergriff anschließend in die Ausgangsposition zurückkehren, und ziehen Sie den Startergriff nun kräftig. Ziehen Sie das Starterseil niemals ganz heraus. Lassen Sie beim Ziehen den Startergriff niemals unvermittelt los. Halten Sie den Startergriff, bis dieser in die ursprüngliche Lage zurückgekehrt ist.

- 5) Aufwärmbetrieb  
Setzen Sie den Aufwärmbetrieb für 2 bis 3 Minuten fort.

HINWEIS: Falls zu viel Kraftstoff in den Motor gelangt ist, schrauben Sie die Zündkerze heraus, und ziehen Sie langsam am Startergriff, damit der überflüssige Kraftstoff aus dem Motor austritt. Trocknen Sie außerdem die Elektroden der Zündkerze.



**B: Warmstart**

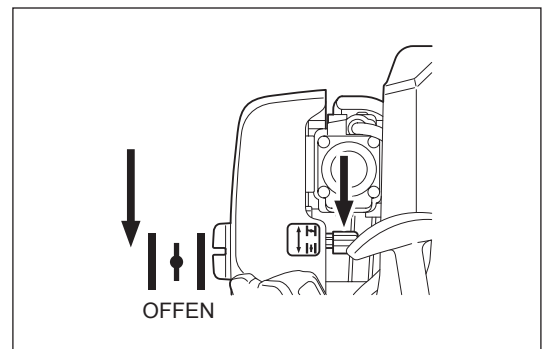
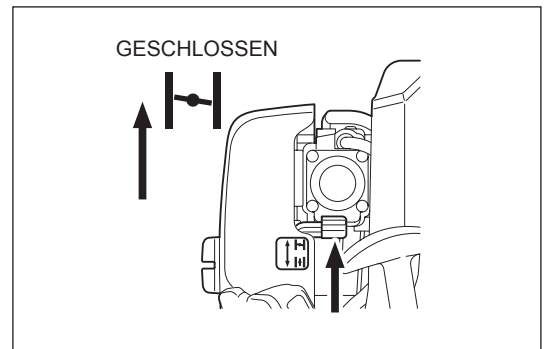
- 1) Betätigen Sie mehrmals leicht die Anlasseinspritzpumpe.
- 2) Halten Sie den Gashebel in der Leerlaufposition.
- 3) Ziehen Sie den Seilzugstarter kräftig durch.
- 4) Falls sich der Motor schwer starten lässt, öffnen Sie den Gashebel auf ca. 1/3. Achten Sie auf die Schneidmesser, die Schneidmesser könnten sich unerwartet bewegen.

**Zu Zeiten, in denen das Starten des Motors schwieriger ist, beispielsweise im Winter, betätigen Sie zum Starten den Choke-Hebel wie im Folgenden erläutert:**

- Stellen Sie nach Ausführen der Schritte 1) bis 3) für den Start den Choke-Hebel auf die Position GESCHLOSSEN.
- Führen Sie Startschritt 4) aus, und starten Sie den Motor.
- Bringen Sie nach dem Starten des Motors den Choke-Hebel in die Stellung OFFEN.
- Führen Sie Startschritt 5) aus, und beenden Sie das Aufwärmen.

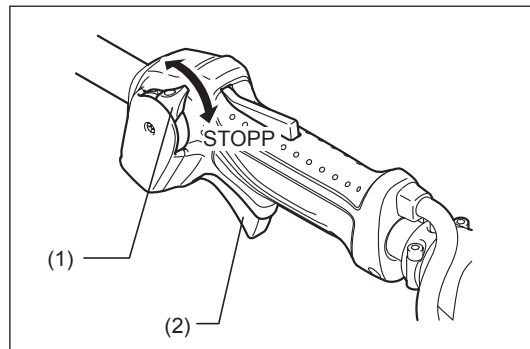
ACHTUNG: Falls Sie einen Knall (Explosionsgeräusch) hören und der Motor stoppt, oder der soeben gestartete Motor aus geht, bevor Sie den Choke-Hebel betätigen, bringen Sie den Choke-Hebel zurück in die Position OFFEN, und ziehen Sie den Startergriff einige weitere Male, um den Motor zu starten.

ACHTUNG: Falls sich der Choke-Hebel in der Position GESCHLOSSEN befindet, und der Startergriff wiederholt gezogen wird, wird zu viel Kraftstoff angesaugt, und der Motor wird sich nur schwer starten lassen.



## STOPPEN

- 1) Lassen Sie den Gashebel (2) vollkommen los, und drücken Sie, wenn sich die Motordrehzahl verlangsamt hat, den EIN/AUS-Schalter (1) in die Position STOPP, um den Motor zu stoppen.
- 2) Beachten Sie, dass die Schneidmesser nicht sofort stoppen, und warten Sie, bis die Schneidmesser vollkommen zum Stillstand gekommen sind.

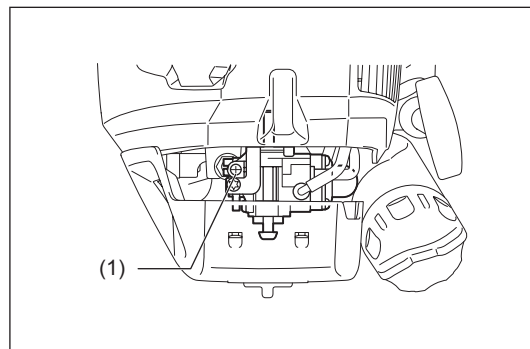


## EINSTELLEN DER LEERLAUFDREHZAHL

Passen Sie die Leerlaufdrehzahl bei Bedarf mit Hilfe der Vergaser-Einstellschraube (1) an.

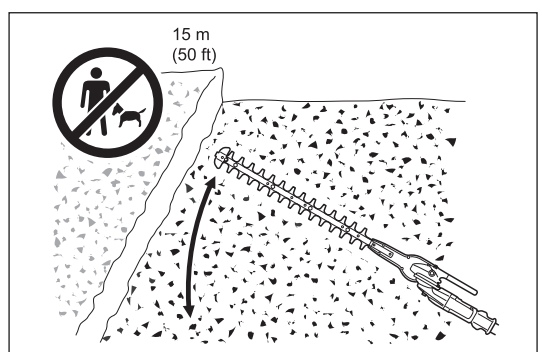
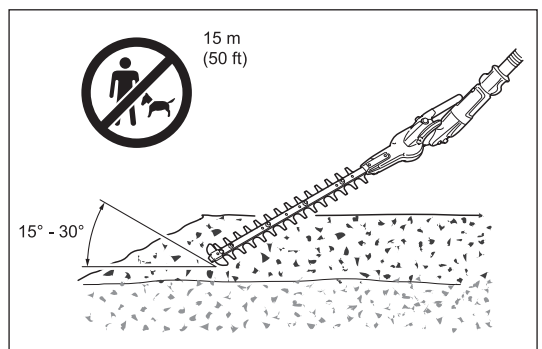
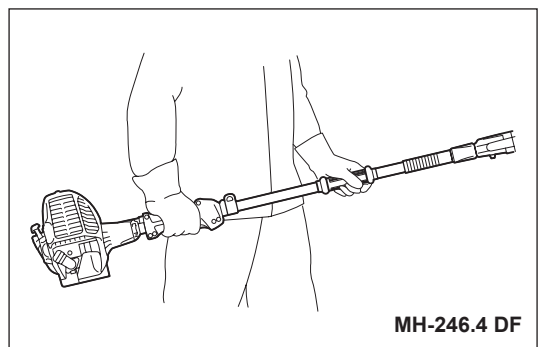
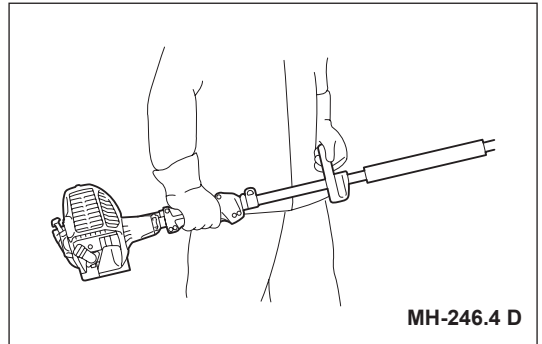
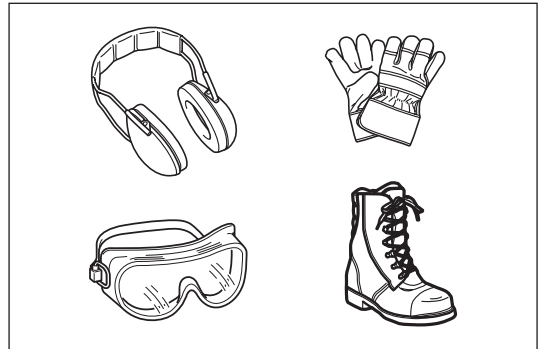
## ÜBERPRÜFEN DER LEERLAUFDREHZAHL

- Stellen Sie die Leerlaufdrehzahl auf  $3.000 \text{ min}^{-1}$  ein.  
Passen Sie die Leerlaufdrehzahl bei Bedarf an, indem Sie die Einstellschraube (1) mit einem Kreuzschlitz-Schraubendreher verstellen.
- Drehen Sie die Einstellschraube nach rechts, um die Motordrehzahl zu erhöhen.  
Drehen Sie die Einstellschraube nach links, um die Motordrehzahl zu verringern.
- Grundsätzlich wurde der Vergaser vor dem Versand eingestellt. Falls eine Neueinstellung erforderlich ist, wenden Sie sich bitte an ein autorisiertes Servicezentrum.



## BETREIBEN DES HECKENSCHNEIDERS

- Berühren Sie während der Arbeiten oder bei laufendem Motor nicht das Schneidwerk des Heckenschneiders.
- Achten Sie während der Arbeiten mit dem Heckenschneider besonders darauf, dass Sie die Abgase nicht einatmen. Betreiben Sie den Heckenschneider niemals in geschlossenen Räumen oder in einem Bereich ohne ausreichende Belüftung (Erstickengefahr und Gefahr einer Kohlenmonoxidvergiftung). Bedenken Sie, dass Kohlenmonoxid ein geruchloses Gas ist und vom Geruchssinn nicht bemerkt werden kann.
- Legen Sie vor Beginn der Arbeiten mit dem Heckenschneider immer eine geeignete Schutzkleidung und eine entsprechende Schutzausrüstung an.
- Stoppen Sie den Motor sofort, wenn der Schalldämpfer Anzeichen einer Fehlfunktion aufweist.
- Verwenden Sie den Heckenschneider nur bei guten Licht- und Sichtverhältnissen.
- Betreiben Sie den Heckenschneider nicht bei Dunkelheit oder bei Nebel. Achten Sie in der kalten Jahreszeit auf rutschige und nasse Flächen (Eis und Schnee, Rutschgefahr), und achten Sie immer auf sicheren Stand.
- Führen Sie Arbeiten mit dem Heckenschneider niemals auf einer instabilen Fläche oder an einem Steilhang stehend aus.
- Führen Sie Arbeiten mit dem Heckenschneider niemals auf einer Leiter stehend aus.
- Klettern Sie niemals auf Bäume, um dort Arbeiten mit dem Heckenschneider auszuführen.
- Achten Sie im Arbeitsbereich beständig auf Drähte, Kabel, Leinen, Glas oder sonstige Fremdkörper, die von den Schneidmessern erfasst werden könnten.
- Achten Sie vor Beginn des Schneidvorgangs darauf, dass sich die Schneidmesser schnell bewegen.
- Erfassen Sie den Heckenschneider immer mit beiden Händen, und halten Sie die Maschine während der Arbeiten mit festem Griff.
- Damit Sie den Heckenschneider optimal unter Kontrolle haben, legen Sie die Hände ganz um die Griffe (üben Sie mit dem Daumen einen Gegendruck aus), und erfassen Sie die Griffe mit festem Griff.
- Beachten Sie, dass sich die Schneidmesser nach dem Loslassen des Gashebels noch bis zu zwei Sekunden bewegen.
- Schneiden Sie mit dem Heckenschneider nicht bei niedrigen Drehzahlen.
- Bei niedrigen Drehzahlen des Motors kann die Geschwindigkeit der Schneidmesser nicht korrekt mit dem Gashebel reguliert werden.
- Zum Schneiden der Oberseite einer Hecke richten Sie zuerst die Schneidmesser in einem Winkel von 15° bis 30° zur Schneidrichtung aus, und belassen Sie den Heckenschneider in der waagerechten Position. Beginnen Sie dann die Hecke mit schwingenden Bewegungen zu schneiden, als ob Sie mit der Achse des Heckenschneiders Kreise ziehen würden.
- Um die Seitenflächen einer Hecke zu schneiden, richten Sie zuerst die Schneidmesser parallel zur zu schneidenden Fläche aus, und beginnen Sie das Schneiden mit halbkreisförmigen Bewegungen (von unten nach oben).
- Geben Sie beim Schneiden von Hecken in der Nähe oder an Drahtzäunen besondere Obacht.
- Achten Sie darauf, dass die Schneidmesser keine harten Objekte wie beispielsweise Drahtzäune, Steine oder den Boden berühren. Bei Berührung solcher Gegenstände können Schneidmesser bersten, reißen oder abbrechen.
- Arbeiten Sie nicht über einen zu langen Zeitraum mit dem Heckenschneider. Als allgemeine Regel gilt, dass Sie nach 50 Minuten Arbeit eine Pause von 10 bis 20 Minuten einlegen sollten.
- Falls die Schneidmesser in Kontakt mit Steinen oder anderen Festkörpern gekommen sind, stoppen Sie sofort den Motor, und prüfen Sie die Schneidmesser auf Beschädigungen. Ersetzen Sie beschädigte Messer.
- Wenn Sie während des Betriebs des Heckenschneiders Anzeichen von Problemen bemerken (seltsame Geräusche, Vibrationen usw.), stoppen Sie sofort den Motor. Verwenden Sie den Heckenschneider erst dann wieder, nachdem die Ursache für das Problem gefunden und behoben wurde.
- Seien Sie stets bemüht, Umweltbelastung und Geräuschentwicklung so gering wie möglich zu halten. Achten Sie besonders auf eine korrekte Einstellung des Vergasers.
- Wenn sich dickere Äste in den Schneidmessern verklemmen, schalten Sie sofort den Motor aus, legen Sie die Maschine auf den Boden ab, und beheben Sie die Blockade. Prüfen Sie vor erneuter Verwendung der Maschine die Schneidmesser auf Beschädigungen.





## Anpassung des Schneidwinkels

### Warnung:

- Bedienen Sie das Werkzeug nicht mit gelockertem und unstabilem Schneidwerk.

Sie können den Schnittwinkel zwischen 45° aufwärts und 90° abwärts einstellen.

1. Halten Sie den Motor der Stabheckenschere an und legen Sie die Maschine auf den Boden.
2. Zum Anpassen des Winkels des Schneidwerks, halten Sie mit der einen Hand den Griff **(A)** auf dem Schneidwerk und mit der anderen Hand den Feststellwinkel **(B)**, wie im Bild angezeigt.
3. Ziehen Sie den Feststellwinkel leicht an und ändern Sie den Winkel des Schneidwerks. Nachdem Sie den Winkel eingestellt haben, stellen Sie den Feststellwinkel sanft zurück.

### Hinweis:

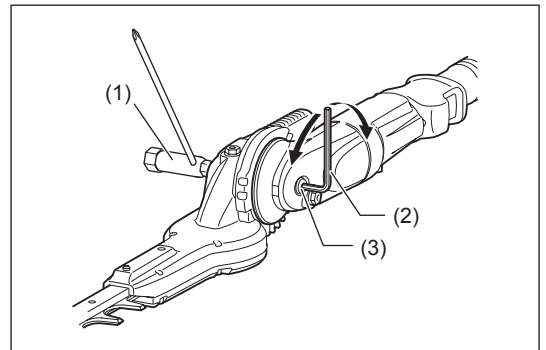
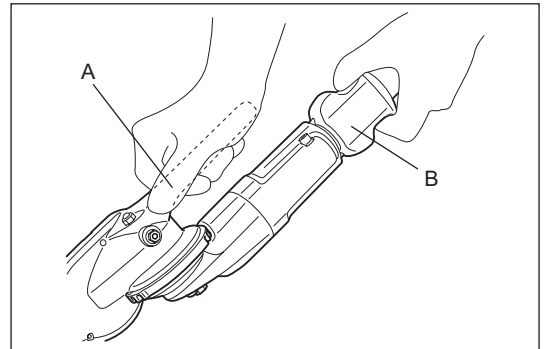
- Das Schneidwerk wird nur mit bestimmten Winkeln längs der Einschnitte auf der Einheit gesichert. Vergewissern Sie sich, dass das Schneidwerk einen guten Sitz hat. Sollte der Winkel nicht entsprechen, wird die Kupplung abgeschaltet und das Werkzeug wird nicht in Betrieb gesetzt.
- Passen Sie nicht das Schneidwerk an, während sich die Stabheckenschere in senkrechter Position befindet.
- Setzen Sie den EIN/AUS-Schalter auf die Position "O" legen Sie die Stabheckenschere flach auf den Boden, um den Schnittwinkel anzupassen.
- Sichern Sie die Messer immer mit dem dazu gelieferten Schneidblattschutz bevor Sie den Schneidwinkel anpassen.

Sollte das Schneidwerk lose sein, muss die Schraube (die Achse der Winkeleinstellung) festgezogen werden.

1. Setzen Sie den Steckschlüssel (1) und den Innensechskantschlüssel (2) auf die Schraube (3).
2. Passen Sie die Festigkeit des Schneidwerks so an, dass Sie den Steckschlüssel drehen, danach befestigen Sie die Schraube, indem Sie den Innensechskantschlüssel drehen.

### Hinweis:

- Ziehen Sie das Schneidwerk nicht zu fest an. Der Winkel des Schneidwerks kann nicht mehr geändert werden, wenn er zu stark festgezogen wird.



## WARTUNG

- Stoppen Sie immer erst den Motor, und warten Sie, bis sich der Motor abgekühlt hat, bevor Sie Wartungsarbeiten am Heckenschneider (Reinigen des Schneidwerks usw.) ausführen. Ziehen Sie zur Sicherheit auch den Zündkerzenstecker ab.
- Versuchen Sie nicht, verbogene Schneidmesser zu begradigen oder zu schweißen. Beschädigte Schneidmesser müssen unbedingt ausgetauscht werden.
- Stoppen Sie den Motor in regelmäßigen Abständen, und überprüfen Sie die Schneidmesser auf mögliche Beschädigungen (prüfen Sie durch einen Klopfest auf schwer erkennbare Haarrisse). Sorgen Sie immer dafür, dass die Zähne der Schneidmesser gut geschärft sind.
- Reinigen Sie den Heckenschneider regelmäßig. Überprüfen Sie bei der Einigung auch, ob alle Schrauben und Muttern ordnungsgemäß festgezogen sind.
- Führen Sie Wartungsarbeiten am Heckenschneider niemals in der Nähe von offenen Flammen aus, und bewahren Sie den Heckenschneider nicht in der Nähe von offenen Flammen auf. Brandgefahr!
- Tragen Sie beim Umgang mit den Schneidmessern immer robuste Schutzhandschuhe.
- Ersatz-Schneidmesser erhalten Sie von Ihrem Händler.
- Verwenden Sie zum Reinigen niemals Kraftstoffe, Benzin, Verdünner, Alkohol oder ähnliches. Dies kann zu Verfärbungen, Verformungen oder Rissen führen.

### Schärfen der Schneidmesser

Wenn die Schneidmesser stumpf geworden sind und keine ausreichende Schneidleistung mehr erbringen, lassen Sie die Schneidmesser in Ihrem autorisierten Servicecenter schärfen.

### Nachstellen des Spiels zwischen oberem und unterem Schneidmesser

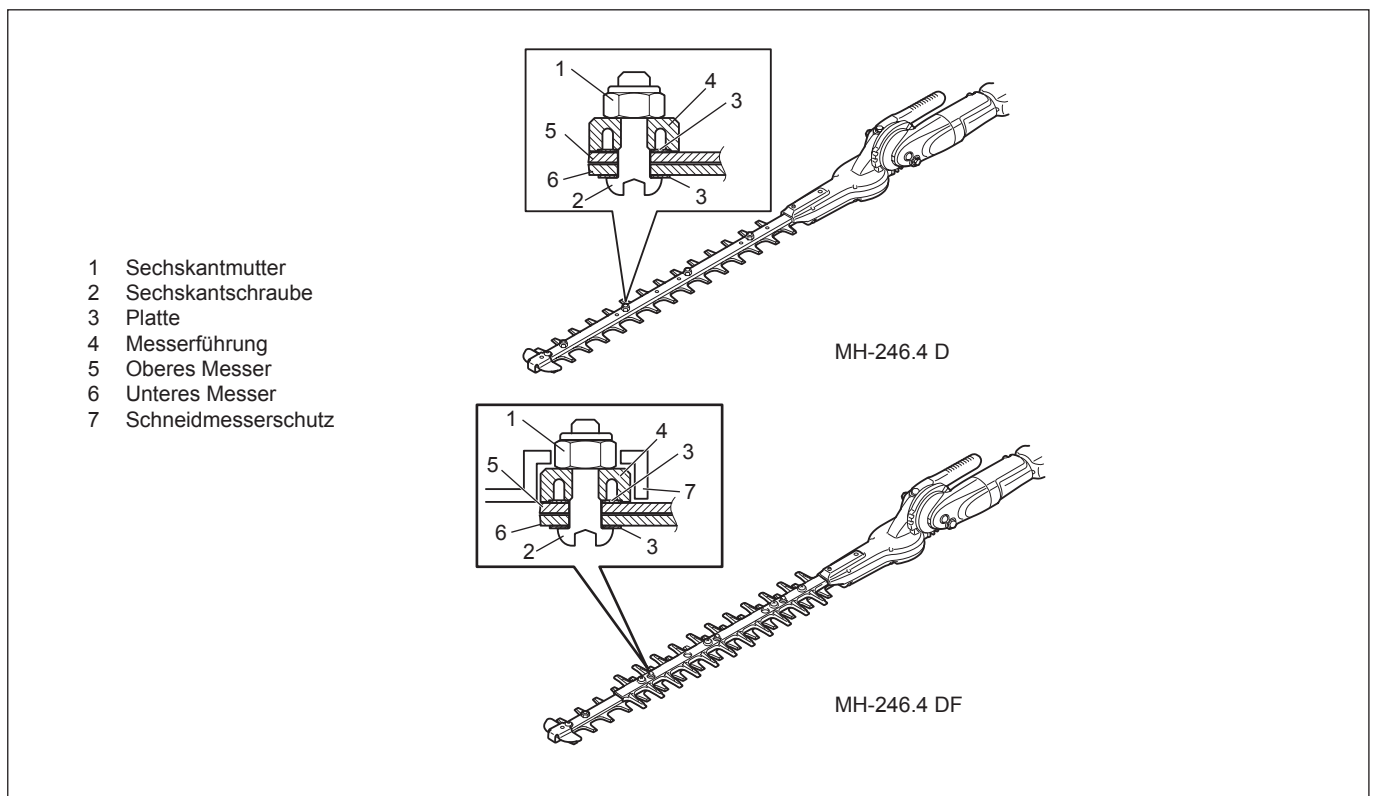
Die oberen/unteren Messer verschleifen allmählich, nachdem Sie in Betrieb genommen werden. Wenn kein sauberer Schnitt gelingt, obwohl die Schneidmesser scharf genug sind, stellen Sie das Spiel zwischen den Schneidmessern wie folgt nach:

Das Spiel zwischen den Schneidmessern wird durch das Anzugsmoment der Sechskantschraube bestimmt. Die Mutter hält die Sechskantschraube mit einem bestimmten Anzugsmoment. Ein zu großes Spiel führt zu einem unsauberen Schnitt, ein zu geringes Spiel hingegen führt zu einer unnötigen Erwärmung und zu einem schnelleren Verschleiß der Schneidmesser.

1. Lösen Sie mit Hilfe eines Ring- oder Maulschlüssels die Mutter (1).
2. Ziehen Sie die Sechskantschraube (2) mit Hilfe eines Innensechskantschlüssels leicht fest, bis sie sich nicht mehr leicht drehen lässt. Lösen Sie die Sechskantschraube anschließend wieder um eine viertel bis eine halbe Drehung, um das notwendige Spiel einzustellen.
3. Halten Sie die Sechskantschraube (2) fest, und ziehen Sie die Mutter (1) fest.
4. Bringen Sie auf die Kontaktflächen der Schneidmesser etwas dünnes Öl auf.
5. Starten Sie den Motor, und betreiben Sie den Motor eine Minute lang, wobei Sie immer wieder Gas geben und wegnehmen.
6. Stoppen Sie den Motor, und berühren Sie die Oberfläche der Schneidmesser. Wenn die Schneidmesser nicht zu heiß sind, um sie zu berühren, ist die Einstellung in Ordnung. Sind die Schneidmesser zu heiß zum Berühren, lösen Sie die Sechskantschraube (2) etwas, und wiederholen Sie die Schritte 5 bis 6.

**HINWEIS:** Stoppen Sie den Motor, und warten Sie, bis die Schneidmesser vollständig zum Stillstand gekommen sind, bevor Sie Einstellungen vornehmen.

In den Schneidmessern befinden sich um die Sechskantschraube (2) Schlitze. Falls diese Schlitze mit Staub verstopft sind, reinigen Sie die Schlitze.

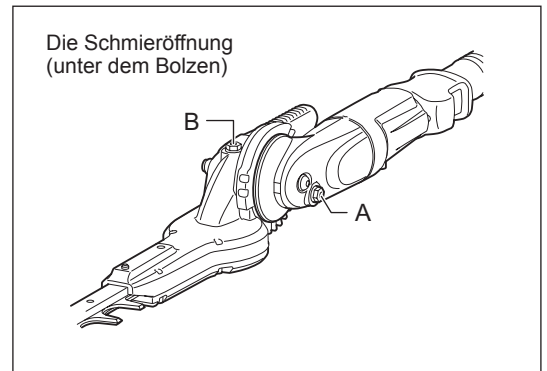


## Schmieren

**Wichtig: Warten Sie vor dem Schmieren unbedingt, bis das Getriebe vollständig abgekühlt ist.**

- Das Getriebe der Heckenschneiders sollte nach jeweils 25 Betriebsstunden geschmiert werden. Die Schmieröffnung befindet sich unter der Schraube. Schrauben Sie zum Schmieren des Getriebes die Schraube heraus. Geben Sie in das Schmieröffnung ca. 3 g (4 cc) Schmierstoff auf den Punkt A des Getriebes und 5 g (7 cc) auf den Punkt B. Nach der Schmierung drehen Sie den Bolzen wieder fest. Nach dem Einfüllen der richtigen Menge an Schmiermittel tritt beim ersten Betrieb etwas Schmiermittel aus der Basis des Messers aus.

**ACHTUNG:** Halten Sie die Zeitabstände für die Schmierung und die einzufüllende Menge an Schmierfett ein.  
Wenn der Heckenschneider nicht in den vorgegebenen Zeitabständen geschmiert wird, oder wenn zu wenig Schmierfett eingefüllt wird, kann es zu Schäden an mechanischen Bauteilen des Heckenschneiders kommen.



## Tägliche Inspektionen und Wartungsarbeiten

Damit eine lange Lebensdauer Ihres Heckenschneiders gegeben ist, führen Sie täglich die folgenden Inspektionen und Wartungsarbeiten aus.

- Vor der Verwendung:
  - Überprüfen Sie den Heckenschneider vor Beginn der Arbeiten auf lose oder fehlende Bauteile. Überprüfen Sie insbesondere das Schneidwerk sorgfältig, und achten Sie darauf, dass die Befestigungsschrauben der Schneidmesser ordnungsgemäß festgezogen sind.
  - Sorgen Sie vor Beginn der Arbeiten dafür, dass die Kühlluftdurchgänge und die Kühllamellen des Zylinders nicht verstopft sind. Reinigen Sie diese bei Bedarf.
- Nach der Verwendung:
  - Reinigen Sie den Heckenschneider äußerlich und überprüfen Sie den Heckenschneider auf Beschädigungen.
  - Reinigen Sie den Luftfilter. Reinigen Sie den Luftfilter bei Arbeiten unter extrem staubigen Bedingungen mehrmals täglich.
  - Überprüfen Sie die Schneidmesser auf Beschädigungen. Stellen Sie sicher, dass die Schneidmesser ordnungsgemäß befestigt sind.
  - Falls sich die Schneidmesser im Leerlauf auch nach dem Einstellen der Leerlaufdrehzahl weiter bewegen, wenden Sie sich an Ihr autorisiertes Servicezentrum.

## WECHSELN DES MOTORÖLS

Überaltertes Motoröl verkürzt die Lebensdauer der gleitenden und rotierenden Teile deutlich. Nehmen Sie daher unbedingt in den angegebenen Zeitabständen einen Ölwechsel vor, und füllen Sie unbedingt die vorgegebene Menge an Frischöl ein.



**GEFAHR:** Im Allgemeinen sind der Motorblock und das Motoröl nach dem unmittelbaren Stopp des Motors noch heiß. Überprüfen Sie vor einem Ölwechsel, ob sich der Motorblock und das Motoröl ausreichend abgekühlt haben. Andernfalls besteht Verbrennungsgefahr. Warten Sie nach dem Stoppen des Motors ausreichend lange, bis das Motoröl in den Öltank zurückgelaufen ist, damit der korrekte Ölstand abgelesen werden kann.

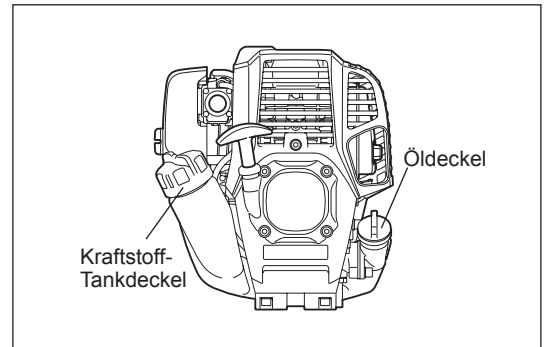
**HINWEIS:** Falls zu viel Öl eingefüllt wird, kann das Öl verschmutzt werden oder mit weißer Rauchentwicklung verbrennen.

**Zeiträume für den Ölwechsel:** Nach den ersten 20 Betriebsstunden, anschließend nach jeweils 50 Betriebsstunden

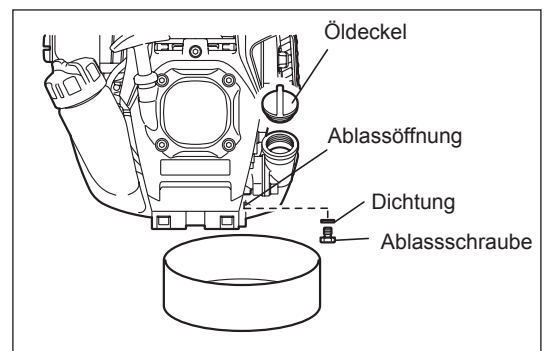
**Empfohlenes Öl:** Öl der API-Klassifikation SAE 10W-30, Klasse SF oder höher (Viertaktmotor für Autos)

So führen Sie einen Ölwechsel aus:

- 1) Stellen Sie sicher, dass der Kraftstoff-Tankdeckel ordnungsgemäß festgeschraubt ist.
- 2) Stellen Sie einen Behälter ausreichender Größe (Auffangwanne, usw.) unter die Ablassöffnung.

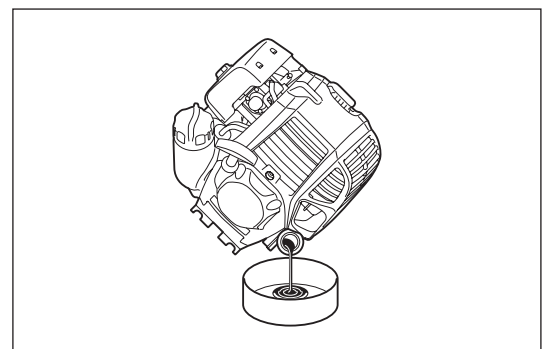


- 3) Drehen Sie die Ablassschraube heraus, und nehmen Sie anschließend den Öldeckel ab, damit das Öl aus der Ablassöffnung fließt. Bewahren Sie die Dichtung der Ablassschraube gut auf, und achten Sie darauf, dass die ausgebauten Teile nicht verschmutzen.
- 4) Nachdem alles Öl abgelassen wurde, setzen Sie die Dichtung wieder auf die Ablassschraube auf, und ziehen Sie die Ablassschraube fest, so dass sich diese nicht löst und ein Leck verursacht.  
\* Wischen Sie an Schraube und Maschine anhaftendes Öl mit einem Tuch ab.

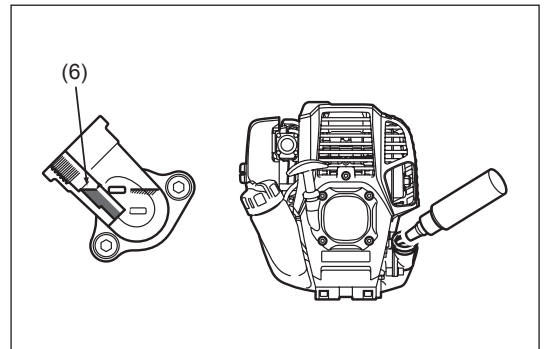
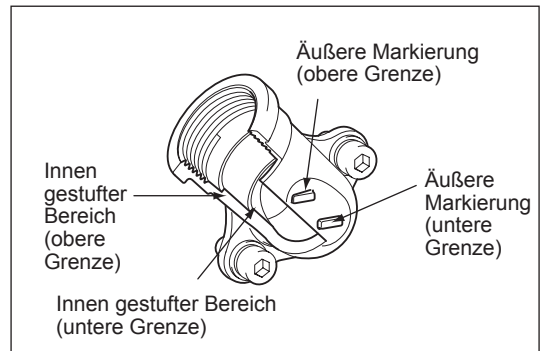


### Alternative Ablassmethode

Nehmen Sie den Öldeckel ab, neigen Sie den Heckenschneider in Richtung Öleinfüllöffnung, und lassen Sie das Öl ab. Sammeln Sie das Öl in einem Behälter.



- 5) Legen Sie den Motor waagrecht ab, und füllen Sie nach und nach Frischöl bis zur Markierung (6) der Obergrenze auf.
- 6) Ziehen Sie nach dem Auffüllen den Öldeckel fest, so dass sich dieser nicht löst und ein Auslaufen von Öl verursacht. Falls der Öldeckel nicht sicher festgezogen ist, kann Öl auslaufen.



#### WICHTIGE PUNKTE ZUM ÖL

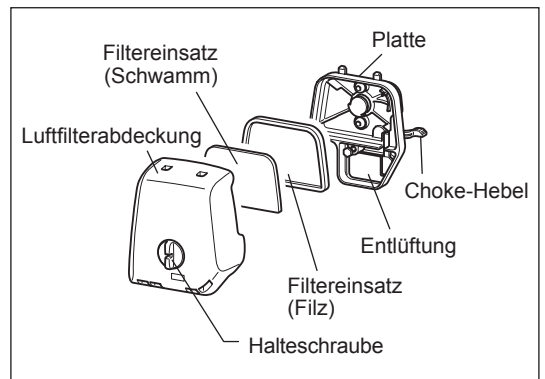
- Entsorgen Sie Altöl niemals über den Hausmüll, in die Erde oder in Abwassersysteme. Die Altöleentsorgung ist gesetzlich geregelt. Halten Sie bei der Entsorgung stets die entsprechenden Gesetze und Bestimmungen ein. Wenden Sie sich bei Unklarheiten an ein autorisiertes Servicezentrum.
- Öl altert mit der Zeit, auch wenn es nicht verwendet wird. Führen Sie regelmäßig eine Überprüfung und einen Ölwechsel durch (Ölwechsel aller 6 Monate).

#### Reinigen des Luftfilters

##### GEFAHR: OFFENE FLAMMEN STRENGSTENS VERBOTEN!

Überprüfen und reinigen Sie den Luftfilter täglich bzw. spätestens nach 10 Betriebsstunden.

- Drehen Sie den Choke-Hebel vollständig zu, und halten Sie den Vergaser frei von Staub und Schmutz.
- Lösen Sie die Halteschraube.
- Nehmen Sie die Luftfilterabdeckung ab.
- Entnehmen Sie die Filtereinsätze, und klopfen Sie den Schmutz aus den Einsätzen.
- Wenn die Filtereinsätze stark verschmutzt sind: Entnehmen Sie die Filterelemente, tauchen Sie diese in warmes Wasser oder in Wasser mit verdünntem neutralen Reinigungsmittel, und lassen Sie die Filtereinsätze anschließend vollständig trocknen. Drücken und schrubben Sie die Filtereinsätze beim Reinigen nicht.
- Lassen Sie die Filtereinsätze vollständig trocknen, bevor Sie die Filtereinsätze wieder einbauen. Bei unzureichender Trocknung der Filtereinsätze können Schwierigkeiten beim Starten des Motors auftreten.
- Wischen Sie anhaftendes Öl um die Luftfilterabdeckung und die Entlüftung mit einem Putzlappen ab.
- Passen Sie den Filtereinsatz (Schwamm) in den anderen Filtereinsatz (Filz) ein. Passen Sie die Filtereinsätze so in die Platte ein, dass der Schwamm in Richtung Luftfilterabdeckung zeigt.
- Bringen Sie die Luftfilterabdeckung unverzüglich an, und sichern Sie diese mit Hilfe der Halteschraube. (Bringen Sie bei der Wiedermontage zuerst die obere Klemme und dann die untere Klemme wieder an.)



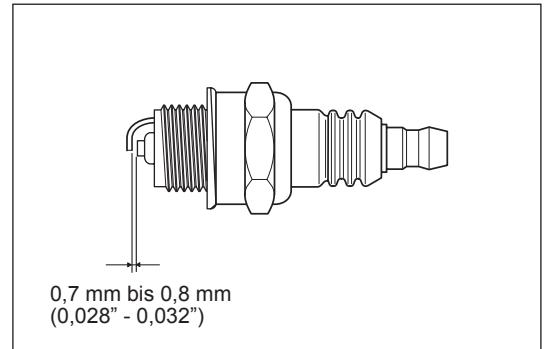
#### HINWEIS:

- Wenn übermäßig Staub an den Filtereinsätzen anhaftet, reinigen Sie die Filtereinsätze mehrere Male am Tag. Verschmutzte Filtereinsätze führen zum Absinken der Motorleistung und erschweren das Starten des Motors.
- Reinigen Sie die Filtereinsätze von Öl. Falls der Betrieb mit överschmutzten Filtereinsätzen fortgesetzt wird, kann Öl aus dem Luftfilter austreten und zu einer Ölverschmutzung führen.
- Legen Sie die Filtereinsätze nicht auf der Erde oder an verschmutzten Stellen ab. Andernfalls können anhaftender Staub oder Schmutz Schäden am Motor verursachen.
- Verwenden Sie zum Reinigen der Filtereinsätze niemals Kraftstoff. Die Filtereinsätze können durch Kraftstoff beschädigt werden.

## ÜBERPRÜFEN DER ZÜNDKERZE

- Schrauben Sie die Zündkerze ausschließlich mit dem mitgelieferten Universalschlüssel heraus- und ein.
- Der Abstand zwischen den Elektroden der Zündkerze muss zwischen 0,7 und 0,8 mm liegen. Wenn der Abstand zu klein oder zu groß ist, korrigieren Sie den Abstand. Wenn die Zündkerze verschmutzt oder verstopft ist, reinigen Sie diese gründlich oder ersetzen Sie sie.

**ACHTUNG:** Berühren Sie bei laufendem Motor niemals den Zündkerzenstecker (Gefahr eines Hochspannungsschlags).



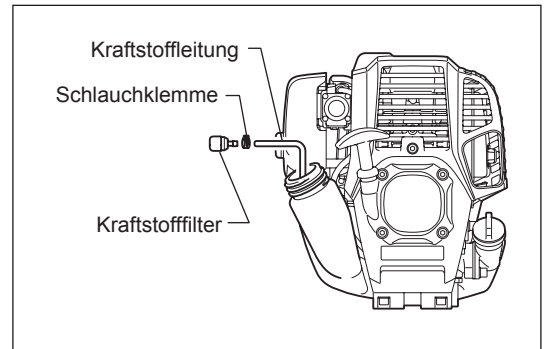
## Reinigen des Kraftstofffilters (Ansaugkopf im Kraftstofftank)

**WARNUNG: UMGANG MIT OFFENEN FLAMMEN STRENGSTENS VERBOTEN!**  
Überprüfen und reinigen Sie den Kraftstofffilter monatlich bzw. spätestens nach 50 Betriebsstunden.

Überprüfen Sie den Kraftstofffilter regelmäßig. Führen Sie die unten genannten Schritte aus, um den Kraftstofffilter zu überprüfen:

- (1) Nehmen Sie den Tankdeckel ab, und lassen Sie den Kraftstoff ab, bis der Tank leer ist. Überprüfen Sie das Tankinnere auf Fremdkörper. Entfernen Sie diese, falls vorhanden.
- (2) Ziehen Sie mit Hilfe eines Drahthakens den Ansaugkopf durch die Tanköffnung.
- (3) Wenn der Kraftstofffilter leicht verschmutzt ist, reinigen Sie den Kraftstofffilter. Reinigen Sie den Kraftstofffilter, indem Sie ihn in Kraftstoff schütteln und ausklopfen. Drücken oder reiben Sie den Filter nicht, da der Filter dadurch beschädigt werden könnte. Der für das Reinigen verwendete Kraftstoff muss entsprechend der örtlich geltenden Gesetze und Bestimmungen entsorgt werden.  
Wenn der Kraftstofffilter verhärtet oder stark verstopft ist, tauschen Sie den Filter aus.
- (4) Drücken Sie den Kraftstofffilter nach dem Überprüfen, Reinigen oder Austauschen bis ganz nach unten in den Kraftstofftank.

Ein verstopfter oder beschädigter Kraftstofffilter kann zu einer unzureichenden Zufuhr von Kraftstoff und zu einem Absinken der Motorleistung führen. Tauschen Sie den Kraftstofffilter mindestens alle 3 Monate aus, damit die Zufuhr von ausreichend Kraftstoff zum Vergaser sichergestellt ist.



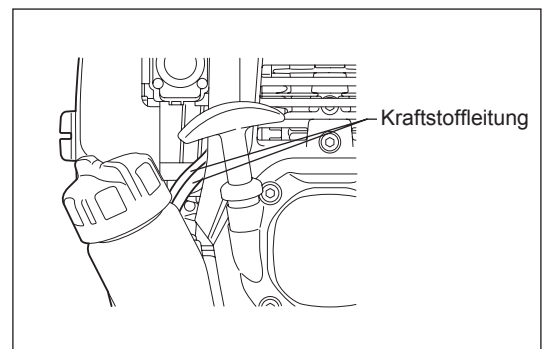
## Austauschen der Kraftstoffleitung

**ACHTUNG: OFFENE FLAMMEN STRENGSTENS VERBOTEN!**

Überprüfen und reinigen Sie die Kraftstoffleitung täglich bzw. spätestens nach 10 Betriebsstunden.

Tauschen Sie die Kraftstoffleitung nach 200 Betriebsstunden oder spätestens, unabhängig von der Betriebsdauer, jährlich aus. Anderenfalls kann es zu einem Brand durch austretenden Kraftstoff kommen.

Falls Sie austretenden Kraftstoff bemerken, tauschen Sie die Kraftstoffleitung sofort aus.



## INSPEKTION VON SCHRAUBEN UND MUTTERN

- Ziehen Sie lose Schrauben, Muttern usw. wieder fest.
- Prüfen Sie auf Kraftstoff- und Ölleckagen.
- Tauschen Sie beschädigte Bauteile durch neue aus, damit ein sicherer Betrieb gegeben ist.

## REINIGEN VON BAUTEILEN

- Halten Sie den Motor stets sauber, wischen Sie den Motor mit einem Putzlappen ab.
- Halten Sie die Zylinderlamellen frei von Sand und Staub. An den Lamellen anhaftender Staub und Schmutz kann zum Festfressen des Kolbens führen.

## AUSTAUSCHEN VON DICHTUNGEN

Setzen Sie nach einem Zerlegen des Motors neue Dichtungen ein.

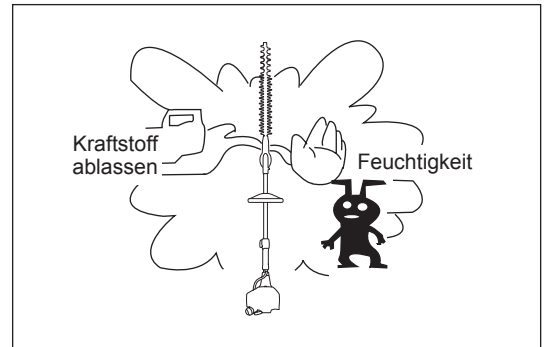
Falls Wartungsarbeiten und Einstellungen vorgenommen werden müssen, die nicht in dieser Betriebsanleitung erläutert sind, wenden Sie sich an Ihr autorisiertes DOLMAR Servicecenter.

## AUFBEWAHRUNG

**WARNUNG:** Stoppen Sie vor dem Ablassen des Kraftstoffs unbedingt den Motor, und warten Sie, bis sich der Motor abgekühlt hat. Andernfalls kann es zu Verbrennungen oder zu einem Brand kommen.

**ACHTUNG:** Wenn die Maschine für längere Zeit eingelagert wird, lassen Sie den gesamten Kraftstoff aus Tank und Vergaser ab, und lagern Sie die Maschine an einem trockenen und sauberen Ort.

- Gehen Sie zum Ablassen des Kraftstoffs aus dem Tank und dem Vergaser wie folgt vor:
  - 1) Nehmen Sie den Kraftstoff-Tankdeckel ab, und lassen Sie den Kraftstoff vollständig ab.  
Entfernen Sie ggf. im Kraftstofftank zurückbleibende Fremdkörper vollständig.
  - 2) Ziehen Sie mit Hilfe eines Drahhakens den Kraftstofffilter durch die Tanköffnung.
  - 3) Betätigen Sie die Anlasseinspritzpumpe, bis der Kraftstoff aus der Pumpe abgeleitet wurde, und lassen Sie den in den Tank gelangten Kraftstoff aus dem Tank ab.
  - 4) Setzen Sie den Filter wieder in den Kraftstofftank ein, und ziehen Sie den Tankdeckel sicher fest.
  - 5) Betreiben Sie die Maschine, bis sie stehenbleibt.
- Schrauben Sie die Zündkerze heraus, und geben Sie einige wenige Tropfen Öl in die Zündkerzenöffnung.
- Ziehen Sie anschließend den Startergriff leicht, sodass das Öl über die Innenseite des Zylinders verteilt wird, und schrauben Sie dann die Zündkerze wieder ein.
- Ziehen Sie den Schutz über die Schneidmesser.
- Lagern Sie das Gerät grundsätzlich in waagerechter Position oder mit der Motoreinheit nach unten zeigend. Andernfalls kann enthaltenes Motoröl auslaufen.
- Achten Sie dabei auf einen sicheren Stand des Gerätes, um ein Umfallen und damit Verletzungen und Beschädigungen an Mensch oder Maschine zu vermeiden.
- Bewahren Sie den abgelassenen Kraftstoff in einem zugelassenen Behälter an einem gut belüfteten und schattigen Ort auf.



### Maßnahmen nach einer längeren Lagerung

- Nehmen Sie nach einer längeren Lagerung vor dem Starten des Motors unbedingt einen Ölwechsel vor (siehe S. 68). Öl zersetzt sich mit der Zeit, auch wenn die Maschine nicht verwendet wird.

Position	Betriebsdauer	Vor jedem Betrieb	Täglich (10 h)	25 h	50 h	200 h	Außerbetriebnahme/ Einlagern	Seite in dieser Anleitung
Motoröl	Inspizieren/ Reinigen	○						59
	Wechseln				○*1			68
Festziehen von Bauteilen (Schraube, Mutter)	Inspizieren	○						70
Kraftstofftank	Reinigen/ Inspizieren	○						-
	Kraftstoff ablassen						○*3	71
Gashebel	Funktion überprüfen	○						61
Stoppeschalter	Funktion überprüfen	○						61, 63
Schneidmesser	Inspizieren	○	○					61, 66
Leerlaufdrehzahl	Inspizieren/ Einstellen		○					63
Luftfilter	Reinigen		○					69
Zündkerze	Inspizieren		○					70
Kühlluftkanal	Reinigen/ Inspizieren		○					70
Kraftstoffleitung	Inspizieren		○					70
	Wechseln					⊙*2		-
Schmierfett Getriebe	Nachfüllen			○				67
Kraftstofffilter	Reinigen/ Ersetzen				○			70
Abstand zwischen Lufteinlassventil und Luftauslassventil	Einstellen					⊙*2		-
Überholung Motor						⊙*2		-
Vergaser	Kraftstoff ablassen						○*3	71

\*1 Nehmen Sie den ersten Wechsel nach 20 Betriebsstunden vor.

\*2 Wenden Sie sich für eine Inspektion nach 200 Betriebsstunden an ein autorisiertes Servicezentrum oder an eine autorisierte Werkstatt.

\*3 Setzen Sie nach dem Leeren des Kraftstofftanks den Betrieb des Motors fort, damit der Vergaser geleert wird.



## FEHLERSUCHE

Überprüfen Sie erst ein Problem selbst, bevor Sie eine Reparatur anfordern. Falls eine Anomalie auftritt, kontrollieren Sie die Maschine anhand der Beschreibungen in dieser Betriebsanleitung. Gebrauchen Sie die Maschine nicht zweckentfremdet, und demontieren Sie Bauteile ausschließlich wie erläutert. Wenden Sie sich für Reparaturen an ein autorisiertes Servicezentrum oder einen Vertreter vor Ort.

Problem	Mögliche Ursache (Fehlfunktion)	Abhilfe
Motor startet nicht	Anlassenspritzpumpe nicht betätigt	Betätigen Sie die Pumpe 7 bis 10 Mal.
	Niedrige Ziehgeschwindigkeit des Starterseils	Ziehen Sie kräftig.
	Kraftstoffmangel	Füllen Sie Kraftstoff auf.
	Verstopfter Kraftstofffilter	Reinigen
	Gebrochene Kraftstoffleitung	Begradigen Sie die Kraftstoffleitung.
	Überalterter Kraftstoff	Überalterter Kraftstoff erschwert das Starten. Ersetzen Sie den überalterten Kraftstoff durch frischen. (Empfohlenes Austauschintervall: 1 Monat)
	Übermäßige Kraftstoffansaugung	Stellen Sie den Gashebel von mittlerer Drehzahl auf hohe Drehzahl ein, und ziehen Sie den Startergriff, bis der Motor startet. <b>Nach dem Start des Motors beginnen sich die Schneidmesser zu bewegen. Achten Sie auf die Schneidmesser.</b> Falls der Motor nicht startet, schrauben Sie die Zündkerze heraus, trocknen Sie die Elektroden ab, und schrauben Sie die Zündkerze wieder wie vorher ein. Starten Sie wie angegeben.
	Zündkerzenstecker gelöst	Ordnungsgemäß anschließen
	Verschmutzte Zündkerze	Reinigen
	Falscher Abstand der Zündkerzenelektroden	Stellen Sie den Abstand ein.
	Andere Anomalie der Zündkerze	Wechseln
	Problem mit dem Vergaser	Fordern Sie eine Inspektion und Wartung an.
	Starterseil kann nicht gezogen werden	Fordern Sie eine Inspektion und Wartung an.
	Problem mit dem Antriebssystem	Fordern Sie eine Inspektion und Wartung an.
Motor stoppt gleich Motordrehzahl erhöht sich nicht	Unzureichendes Aufwärmen	Führen Sie einen Aufwärmbetrieb durch.
	Choke-Hebel ist auf „I“ gestellt, obwohl der Motor vorgewärmt wurde	Stellen Sie den Choke-Hebel auf „III“.
	Verstopfter Kraftstofffilter	Reinigen oder Ersetzen
	Verschmutzter oder verstopfter Luftfilter	Reinigen
	Problem mit dem Vergaser	Fordern Sie eine Inspektion und Wartung an.
	Problem mit dem Antriebssystem	Fordern Sie eine Inspektion und Wartung an.
Schneidmesser bewegen sich nicht ↓ Motor sofort stoppen!	Unangemessener Winkel des Schneidwerks	Überzeugen Sie sich, dass der Feststellwinkel richtig einrastet.
	Schneidmesser-Befestigungsmutter gelöst	Ordnungsgemäß festziehen
	In den Schneidmessern haben sich Zweige verfangen.	Fremdkörper entfernen
	Problem mit dem Antriebssystem	Fordern Sie eine Inspektion und Wartung an.
Hauptblock vibriert nicht normal ↓ Motor sofort stoppen!	Gebrochene, verbogene oder abgenutzte Schneidmesser	Schneidmesser austauschen
	Schneidmesser-Befestigungsmutter gelöst	Ordnungsgemäß festziehen
	Problem mit dem Antriebssystem	Fordern Sie eine Inspektion und Wartung an.
Schneidmesser stoppen nicht sofort ↓ Motor sofort stoppen!	Zu hohe Leerlaufdrehzahl	Einstellen
	Gas-Seilzug hat sich gelöst	Ordnungsgemäß befestigen
	Problem mit dem Antriebssystem	Fordern Sie eine Inspektion und Wartung an.
Motor stoppt nicht ↓ Betreiben Sie den Motor im Leerlauf; und stellen Sie den Choke-Hebel auf „I“.	Steckverbinder getrennt	Ordnungsgemäß anschließen
	Problem mit dem Elektriksystem	Fordern Sie eine Inspektion und Wartung an.

Wenn der Motor nach dem Aufwärmen nicht startet:

Falls bei Überprüfung der o. g. Punkte kein Problem gefunden wurde, bringen Sie den Gashebel auf 1/3, und starten Sie den Motor.

Grazie per aver scelto questo tagliaiepi DOLMAR. Siamo lieti di offrirvi un prodotto che è il risultato di un ampio programma di sviluppo e di numerosi anni di conoscenze ed esperienza. Per ottenere i risultati migliori in tutta sicurezza dal tagliaiepi DOLMAR, leggere attentamente questo manuale prima di usare l'attrezzo e seguire tutte le istruzioni fornite per garantire il corretto funzionamento del tagliaiepi DOLMAR.

**Sommario****Pagina**

Simboli.....	74
Istruzioni di sicurezza .....	75
Dati tecnici.....	80
Denominazione dei componenti .....	81
Montaggio.....	82
Tracolla (accessorio opzionale).....	82
Carburante/rifornimento.....	83
Precauzioni prima di avviare il motore.....	85
Funzionamento del tagliaiepi.....	88
Manutenzione .....	90
Stoccaggio.....	95
Risoluzione dei problemi .....	97

**SIMBOLI**

Fare attenzione ai seguenti simboli durante la lettura del presente manuale di istruzioni.

	AVVERTENZA/PERICOLO		Prestare attenzione al pizzicamento
	Prima dell'uso, leggere attentamente e comprendere le istruzioni contenute nel presente manuale		Prestare attenzione alle linee elettriche: rischio di folgorazione
	VIETATO		Carburante (benzina)
	Vietato fumare		Avvio manuale del motore
	Vietate le fiamme libere		Arresto di emergenza
	Indossare scarpe di protezione		Pronto soccorso
	Indossare guanti di protezione		ACCENSIONE/AVVIAMENTO
	Tenere lontani dall'area di lavoro persone e animali		SPEGNIMENTO/ARRESTO
	Indossare un elmetto protettivo e le protezioni per occhi e orecchie		

## ISTRUZIONI DI SICUREZZA

### Istruzioni generali

- Prima dell'uso, leggere attentamente questo manuale e imparare a maneggiare correttamente il taglia siepi. **QUESTO APPARECCHIO PUÒ ARRECARRE FERITE GRAVI SE USATO IN MODO IMPROPRIO!**
- Se si presta l'apparecchio a un'altra persona, fornire sempre istruzioni dettagliate sull'uso corretto del taglia siepi. Assicurarsi di fornire il manuale di istruzioni insieme al taglia siepi.
- Chi usa l'apparecchio per la prima volta dovrebbe chiedere istruzioni di base al rivenditore su come maneggiare correttamente il taglia siepi.
- Conservare il presente manuale in un luogo facilmente accessibile per una rapida consultazione.
- Non consentire ai minori di 18 anni di utilizzare il taglia siepi. I maggiori di 16 anni possono utilizzare il taglia siepi a scopo di addestramento, sotto costante sorveglianza di un adulto che sappia utilizzare l'apparecchio.
- Usare il taglia siepi con la massima cura e attenzione.
- Non tentare di modificare l'apparecchio.
- Attenersi alle normative del proprio paese sull'uso dei taglia siepi.
- L'uso del taglia siepi nelle seguenti condizioni può causare infortuni gravi. Non usare il taglia siepi:
  - se si è stanchi o malati;
  - dopo aver assunto alcol e/o medicinali;
  - di notte o in condizioni di scarsa visibilità;
  - in gravidanza.

### Uso previsto

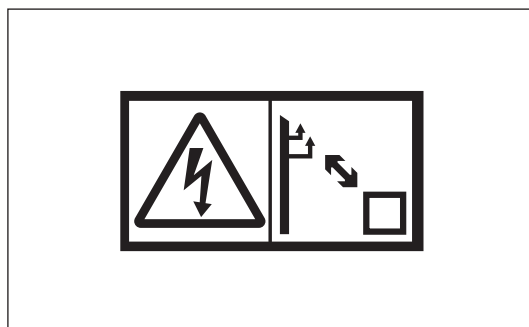
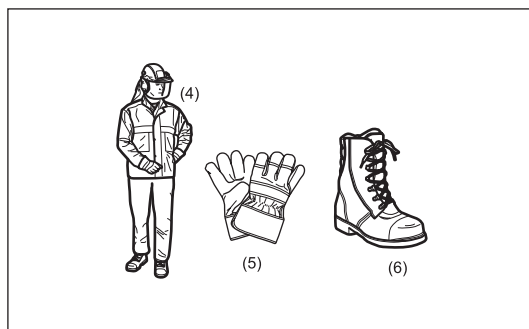
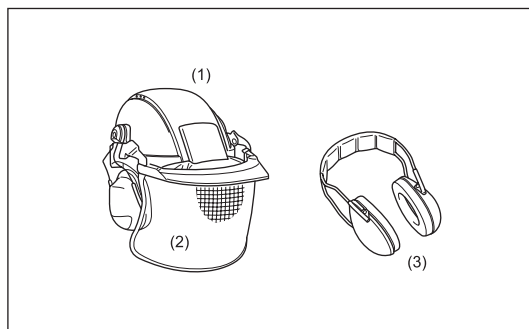
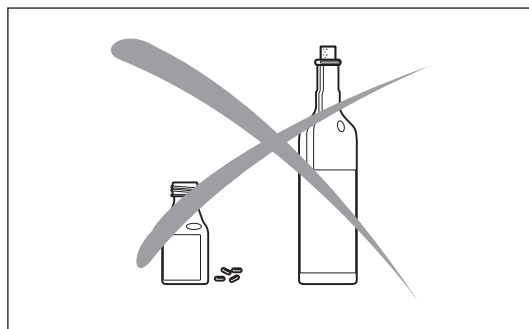
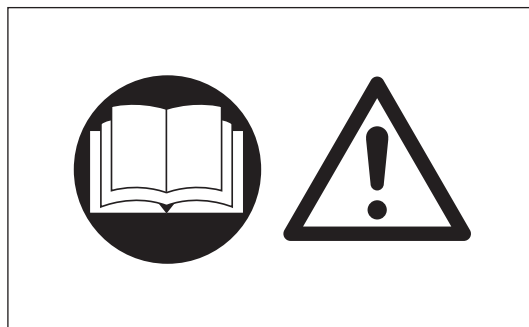
- Questo taglia siepi è stato concepito unicamente per tagliare siepi e cespugli. Non utilizzare il taglia siepi per nessun altro scopo.

### Dispositivi di protezione personale

- Indossare indumenti funzionali e attillati che non limitino i movimenti. Non indossare indumenti o gioielli che possano incastrarsi nella vegetazione bassa o nella macchina.
- Per evitare adeguatamente infortuni a testa, occhi, piedi, mani e problemi di udito, quando si usa il taglia siepi utilizzare i seguenti dispositivi e indumenti di protezione personale.
- Per evitare infortuni alla testa o agli occhi, indossare sempre un elmetto protettivo (1) con occhiali protettivi o una visiera (2).
- Per evitare problemi di udito, indossare sempre protezioni auricolari (3).
- Si consiglia vivamente di utilizzare una tuta da lavoro (4) ben calzante.
- Indossare sempre guanti da lavoro in pelle resistenti (5) quando si utilizza il taglia siepi.
- Indossare sempre calzature pesanti (6) con suola antiscivolo durante l'uso del taglia siepi. Calzature da lavoro speciali garantiscono un buon equilibrio ed evitano infortuni.
- Prima di toccare le lame o l'unità da taglio, indossare guanti di protezione. Le lame possono causare tagli profondi sulle mani nude.

### Sicurezza dell'area di lavoro

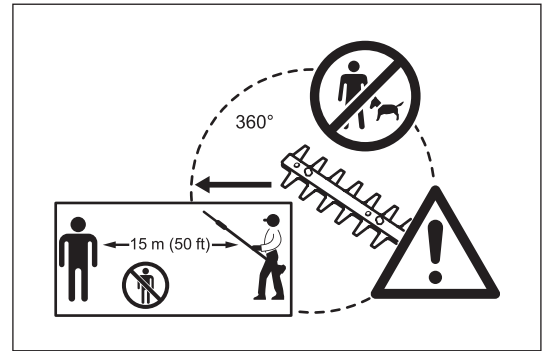
- **⚠ PERICOLO:** Mantenere il taglia siepi a distanza da linee elettriche e cavi di comunicazione. Il contatto del taglia siepi con linee ad alta tensione può causare gravi infortuni e persino la morte. Controllare la presenza di linee elettriche nell'ambiente di lavoro prima di cominciare le operazioni.
- Avviare il motore solo all'aperto, in una zona ben aerata. L'uso all'interno di aree di piccole dimensioni o con aerazione limitata può portare alla morte per soffocamento o per avvelenamento da monossido di carbonio.
- Durante l'uso, mantenere gli osservatori, in particolare i bambini, e gli animali ad almeno 15 m dal taglia siepi. Spegnerne il motore non appena si avvicina qualcuno.
- Prima dell'uso, esaminare l'area di lavoro verificando la presenza di recinzioni, pietre o altri oggetti solidi, in quanto potrebbero danneggiare le lame.
- **⚠ AVVERTENZA:** L'uso di questo prodotto può creare polveri contenenti sostanze chimiche in grado di causare problemi respiratori o altre malattie. Queste sostanze chimiche corrispondono ad esempio ai composti presenti in pesticidi, insetticidi, fertilizzanti e diserbanti. Il rischio relativo a tali esposizioni dipende dalla frequenza con cui si svolge il lavoro. Per ridurre l'esposizione alle sostanze chimiche: lavorare in un'area ben ventilata utilizzando i dispositivi di sicurezza approvati, ad esempio le maschere antipolvere appositamente progettate per filtrare le particelle microscopiche.



## Avviare il tagliasepi

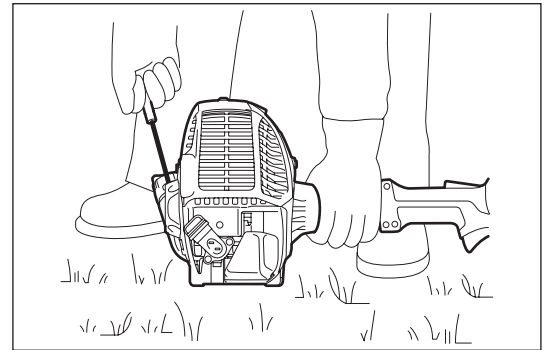
- Prima di montare o regolare l'apparecchio, spegnere il motore e staccare il tappo della candela.
- Prima di avviare il tagliasepi, assicurarsi che l'apparecchio sia in condizioni operative sicure.
- Non cercare mai di avviare il motore se l'apparecchio è danneggiato.
- Controllare il funzionamento del meccanismo di sicurezza della leva dell'acceleratore. La sicura di accensione deve poter essere azionata facilmente. Assicurarsi che la sicura di accensione funzioni correttamente. Controllare che le impugnature siano pulite e asciutte e controllare che l'interruttore di ARRESTO funzioni correttamente.

Avviare il tagliasepi sempre nel rispetto delle indicazioni fornite nel presente manuale di istruzioni.



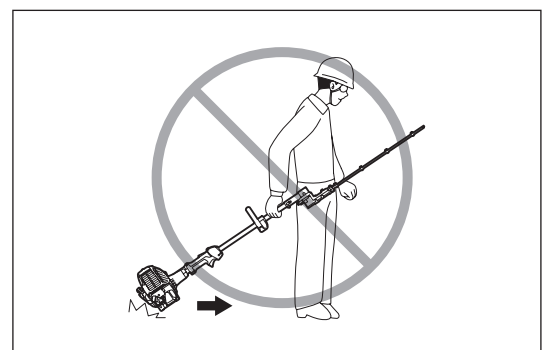
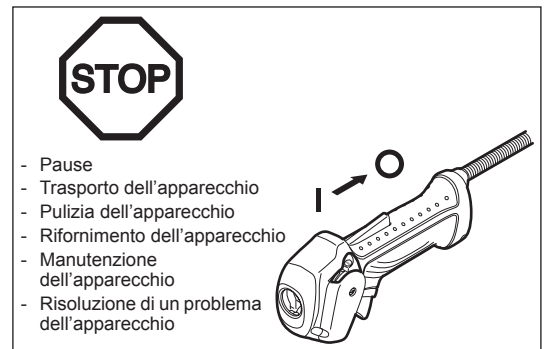
## Per avviare il tagliasepi seguire le seguenti istruzioni

- Accendere il tagliasepi solo dopo aver montato completamente l'apparecchio e aver attaccato tutti gli accessori.
- Quando si avvia il motore, mantenere le lame a distanza dal proprio corpo e da altri oggetti, terreno compreso. Le lame potrebbero muoversi durante l'avviamento, causando gravi infortuni o danni sia alle lame sia alle altre cose.
- Prima di avviare il motore, assicurarsi che le lame da taglio non siano ostruite da oggetti estranei come pietre, rami, ecc.
- Arrestare immediatamente il motore in caso di problemi al motore.
- Tenere saldamente l'apparecchio contro il terreno con la mano sinistra e tirare la manopola di avviamento. Non calpestare mai l'albero motore.
- Se le lame si muovono quando il motore è al minimo, spegnere il motore e regolare la velocità al minimo.
- Quando si usa il tagliasepi, tenere sempre saldamente le due impugnature. Stringere le dita intorno a ogni impugnatura, tenendola tra pollice e indice. Per mantenere il controllo del tagliasepi, evitare di cambiare la presa durante l'uso. Assicurarsi che le impugnature di controllo siano in buone condizioni e non rechino tracce di umidità, fango, olio o grasso.



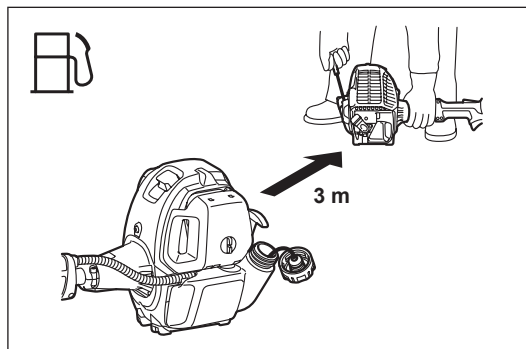
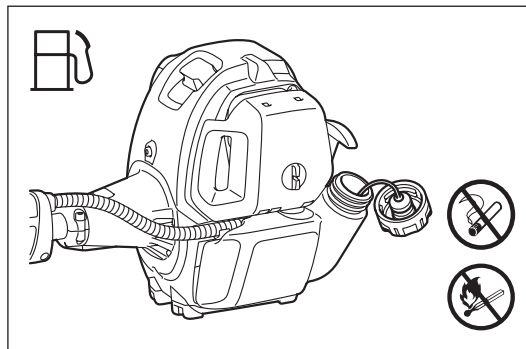
## Assicurarsi sempre di avere una presa a terra sicura e ben bilanciata

- Arrestare immediatamente il motore e interrompere l'uso in caso di problemi al motore o di rumori strani.
- I gas di scarico sono nocivi. Non utilizzare mai l'apparecchio in un ambiente chiuso o in tunnel privi di aerazione (rischio di soffocamento e avvelenamento da gas). Si sottolinea che il monossido di carbonio è un gas inodore. Assicurarsi sempre che l'area in cui si usa il motore sia adeguatamente aerata.
- Spegner il motore durante le pause o se si lascia il tagliasepi incustodito. Mettere l'apparecchio in un posto sicuro e assicurarsi che non sia vicino a materiale combustibile.
- Non mettere mai il tagliasepi riscaldato su erba secca o materiale combustibile.
- Per ridurre il rischio di incendi, tenere il motore e la marmitta sgombri da detriti, foglie e quantità eccessive di lubrificante.
- Non azionare mai il motore se la marmitta è difettosa.
- Spegner il motore prima del trasporto.
- Spegner sempre il motore durante:
  - Pause
  - Trasporto dell'apparecchio
  - Pulizia dell'apparecchio
  - Rifornimento dell'apparecchio
  - Manutenzione dell'apparecchio
  - Risoluzione di un problema dell'apparecchio
- L'apparecchio deve essere trasportato in posizione orizzontale, afferrandolo per l'albero. Mantenere la marmitta calda a distanza dal proprio corpo.
- Quando si trasporta l'apparecchio in un veicolo, fissare sempre saldamente il tagliasepi per evitare perdite di residui di carburante.
- Svuotare sempre il serbatoio del carburante prima del trasporto del tagliasepi in un veicolo.
- Quando si scarica l'apparecchio da un veicolo, prestare particolare attenzione a non farlo cadere: ciò potrebbe causare gravi danni al serbatoio del carburante.
- Tranne in casi di emergenza, non far mai cadere il tagliasepi in quanto ciò potrebbe danneggiare seriamente l'apparecchio.
- Quando si trasporta il tagliasepi, sollevarlo sempre completamente dal suolo. Non trascinare mai il motore in quanto ciò potrebbe danneggiare il serbatoio del carburante e causare un incendio.
- Utilizzare sempre i coprilama in dotazione per proteggere la sezione da taglio del tagliasepi durante il trasporto e lo stoccaggio.
- Se l'apparecchio cade o subisce un impatto violento, verificarne le condizioni prima di proseguire il lavoro. Verificare che l'impianto di alimentazione del carburante sia privo di perdite e che i dispositivi di sicurezza funzionino correttamente. In caso di danni o dubbi, richiedere l'ispezione e la riparazione presso un centro di assistenza autorizzato.



## Rifornimento

- Prima del rifornimento, spegnere il motore.
- Non effettuare mai il rifornimento in presenza di fiamme libere.
- Non fumare durante il rifornimento.
- Prima del rifornimento, lasciar raffreddare sufficientemente il motore.
- Evitare il contatto tra la pelle e i prodotti petroliferi. Non inalare scarichi di benzina e indossare sempre i guanti di protezione durante il rifornimento. Cambiare e lavare gli indumenti di protezione a intervalli regolari.
- Prestare particolare attenzione a non versare benzina e olio per evitare di contaminare il terreno (protezione ambientale). In caso di gocciolamento di benzina o olio sul tagliasiepi, pulire immediatamente la superficie con uno straccio.  
Per evitare la combustione spontanea, prima di gettare gli stracci in un contenitore appropriato chiuso, far asciugare gli stracci umidi.
- Assicurarsi che gli indumenti non entrino in contatto con il carburante. Togliersi immediatamente gli indumenti sporchi di carburante (rischio di incendio).
- Chiudere il serbatoio del carburante e stringere saldamente il tappo. Per riavviare il motore, spostare il tagliasiepi ad almeno 3 m dal luogo di rifornimento.
- Controllare il tappo del serbatoio del carburante a intervalli regolari per assicurarsi che sia chiuso bene.
- Non effettuare mai il rifornimento in un ambiente chiuso. I vapori del carburante si accumulano a livello del suolo (rischio di esplosione).
- Conservare il carburante solo in contenitori appropriati e assicurarsi che sia lontano dalla portata dei bambini.



## Funzionamento

- In caso di emergenza, spegnere immediatamente il motore.
- Spegnere il motore anche se si rilevano condizioni anomale (ad esempio rumori o vibrazioni) durante l'uso. Non utilizzare il tagliasiepi senza prima individuare e risolvere il problema.
- Le lame continuano a muoversi per un breve periodo dopo il rilascio dell'interruttore dell'acceleratore o lo spegnimento del motore. Non entrare in contatto con le lame.
- Non tentare di utilizzare l'apparecchio con una mano sola. Una perdita di controllo potrebbe causare infortuni gravi o letali. Per ridurre il pericolo di infortuni da taglio, mantenere mani e piedi a distanza dalle lame.
- Durante l'uso, tenere la mano destra sotto l'altezza delle spalle per evitare di perdere il controllo e causare quindi infortuni.
- Durante l'uso, non colpire con le lame oggetti rigidi quali pietre e metalli. Prestare particolare attenzione durante il taglio di siepi in prossimità di recinzioni elettrificate. Se si lavora in prossimità del terreno, assicurarsi che sabbia, sporcizia e pietre non vengano raccolte o colpiscano le lame.
- Se le lame entrano in contatto con pietre o altri oggetti rigidi, spegnere subito il motore e controllare la presenza di danni alle lame dopo aver staccato il tappo della candela. Sostituire le lame, se danneggiate.
- Non toccare e non avvicinarsi alle lame in movimento. Le lame sono in grado di tagliare con facilità un dito. Prima di maneggiare o avvicinarsi alle lame, spegnere il motore e staccare il tappo della candela.
- Se nelle lame restano impigliati dei rami spessi, arrestare subito il motore, appoggiare a terra il tagliasiepi e rimuovere l'ostacolo dopo aver staccato il tappo della candela. Controllare la presenza di danni sulle lame prima di utilizzare di nuovo l'apparecchio.
- L'accelerazione del motore con le lame bloccate aumenta il carico e può causare danni al motore e/o alla frizione.
- Controllare di frequente le lame da taglio per verificarne l'usura o la presenza di crepe. Prima dell'ispezione, spegnere il motore e attendere che le lame si fermino completamente. Sostituire subito le lame danneggiate o usurate, anche se presentano unicamente crepe superficiali.
- Non toccare la scatola degli ingranaggi. La scatola degli ingranaggi si surriscalda durante il funzionamento.
- Riposarsi spesso per evitare la perdita di controllo causata dall'affaticamento. Si consiglia di fare una pausa di 10-20 minuti ogni ora.
- Prima del taglio, tirare a fondo la leva dell'acceleratore per raggiungere la velocità massima.
- Durante l'uso, tenere sempre il tagliasiepi con entrambe le mani.
- Utilizzare il tagliasiepi solo in buone condizioni di luce e visibilità. Fare attenzione alle aree scivolose e umide (ghiaccio e neve) nella stagione fredda (pericolo di scivolamento) e assicurarsi sempre di avere un buon equilibrio.
- Non utilizzare mai il tagliasiepi su una superficie instabile o su pendenze ripide.
- Non utilizzare mai il tagliasiepi stando su una scala.
- Non salire mai su un albero per utilizzare il tagliasiepi.
- Per evitare di inciampare o cadere su degli oggetti, non camminare mai all'indietro mentre si usa il tagliasiepi.
- Spegnere sempre il motore prima di effettuare la pulizia o la manutenzione dell'apparecchio. Evitare anche di sostituire dei pezzi prima di aver spento il motore.
- Non utilizzare il tagliasiepi se l'unità di taglio è danneggiata o usurata.



## Vibrazione

- Gli operatori che soffrono di insufficienza venosa, se esposti a vibrazioni eccessive, possono riportare danni ai vasi sanguigni o al sistema nervoso. Le vibrazioni possono causare i seguenti sintomi alle dita, alle mani o ai polsi: torpore, formicolio, dolore, fitte acute, alterazione della pelle o del suo colorito. Consultare un medico non appena si manifestano tali sintomi.
- Per ridurre il pericolo del cosiddetto fenomeno di Raynaud è importante mantenere le mani calde durante il lavoro ed effettuare un'adeguata manutenzione dell'apparecchio e degli accessori.

## Istruzioni per la manutenzione

- L'apparecchio deve essere riparato esclusivamente da un centro assistenza autorizzato con l'uso di ricambi originali. Operazioni improprie di riparazione e manutenzione possono ridurre la durata dell'apparecchio e aumentare il pericolo di incidenti.
- Fare sempre il possibile per limitare al massimo l'inquinamento e i rumori durante l'uso del tagliasepi. Prestare particolare attenzione a regolare correttamente il carburatore.
- Pulire il tagliasepi a intervalli regolari e controllare periodicamente che tutti i dadi e i bulloni siano ben serrati.
- Non eseguire lavori di manutenzione o riporre il tagliasepi in prossimità di fiamme libere, scintille, ecc.
- Non riparare le lame rotte o danneggiate provando a raddrizzarle o saldarle. In caso contrario le parti delle lame potrebbero staccarsi, causando gravi infortuni. Rivolgersi al centro assistenza autorizzato DOLMAR per ottenere lame sostitutive originali.
- Per evitare altri danni e/o infortuni, evitare di riparare un tagliasepi difettoso se non si ha la qualifica per farlo. Per le riparazioni, contattare sempre il proprio rivenditore o un agente autorizzato dell'assistenza.

Non cercare di modificare o rimodellare il tagliasepi per non compromettere la sicurezza di funzionamento.

L'utilizzatore può effettuare unicamente le attività di manutenzione descritte nel presente manuale di istruzioni. Ogni altra procedura deve essere eseguita da un rappresentante autorizzato dell'assistenza.

Richiedere al centro assistenza autorizzato DOLMAR di ispezionare il tagliasepi e di effettuare la manutenzione a intervalli regolari.

Utilizzare solo parti di ricambio e accessori originali forniti dai centri di assistenza autorizzati DOLMAR.

L'utilizzo di accessori e parti non autorizzate può aumentare il rischio di incidenti e infortuni. DOLMAR declina ogni responsabilità per gli incidenti o i danni dovuti all'uso di accessori o pezzi non autorizzati.

## Stoccaggio

- Prima di riporre l'apparecchio è necessario effettuare la pulizia e la manutenzione. Montare il coprilama.
- Prima dello stoccaggio, svuotare il serbatoio del carburante e stoccare il tagliasepi sempre in un ambiente chiuso a chiave ben aerato. Assicurarsi che il tagliasepi sia sempre fuori dalla portata dei bambini.
- Non appoggiare l'apparecchio ad altri oggetti, ad esempio una parete. Il tagliasepi potrebbe cadere improvvisamente provocando infortuni.

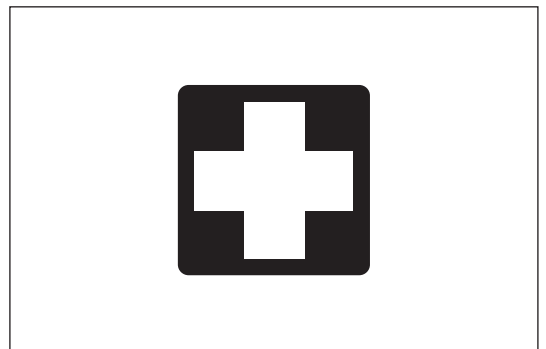
## Pronto soccorso

Come precauzione per l'eventualità di incidenti, assicurarsi di avere una cassetta del pronto soccorso completa a portata di mano.

Rimpiazzare quanto prima gli articoli utilizzati dalla cassetta del pronto soccorso.

## Se si chiede aiuto in caso di emergenza, fornire le seguenti informazioni:

- Luogo dell'incidente
- Che cosa è accaduto
- Numero di persone coinvolte
- Entità degli infortuni
- Nome e cognome



**Solo per i paesi europei**

**Dichiarazione di conformità CE**

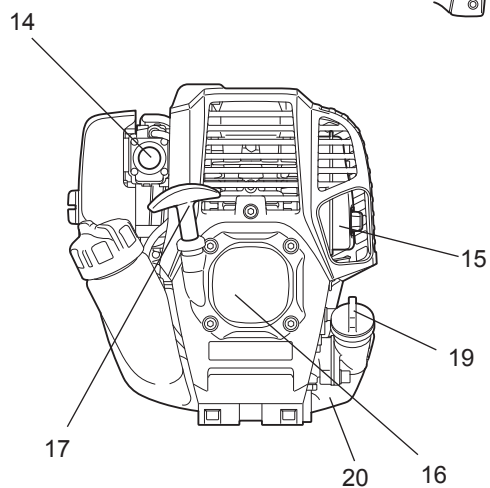
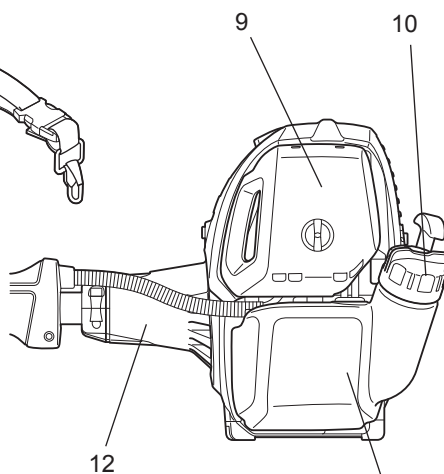
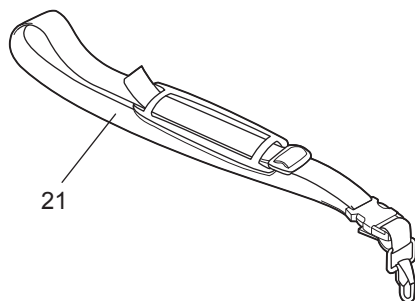
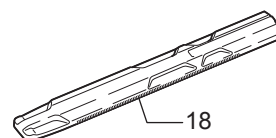
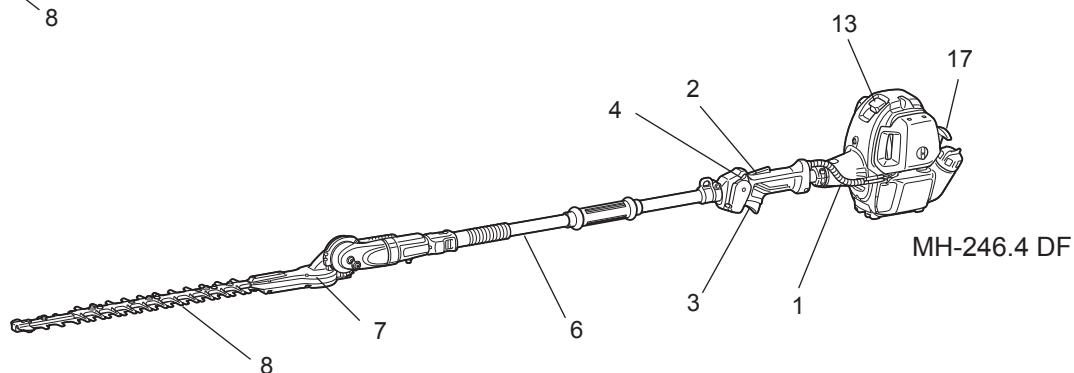
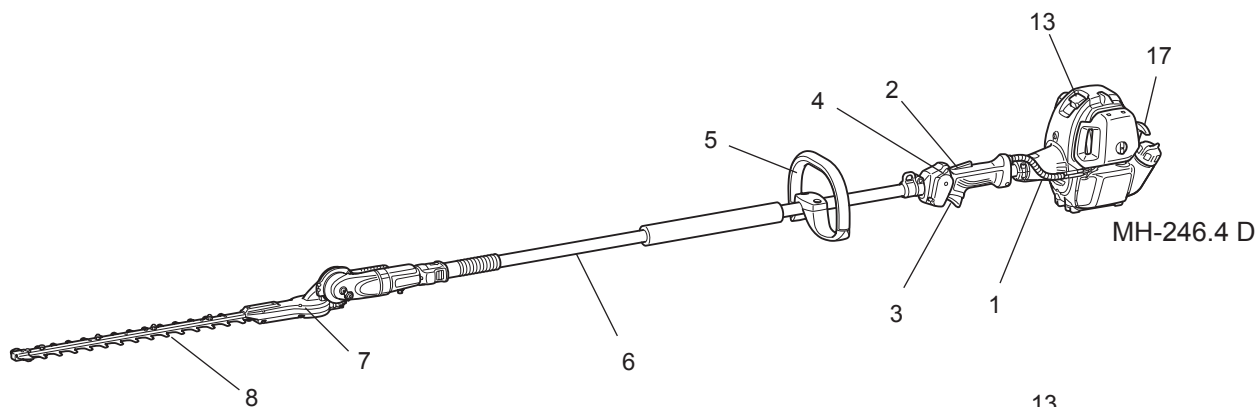
La dichiarazione di conformità CE è inclusa nell'Allegato A di questo manuale di istruzioni.

## DATI TECNICI

Modello	MH-246.4 D		MH-246.4 DF		
	Impugnatura ad anello		Impugnatura diritta		
Dimensioni (Lu × La × Al)	2.550 mm x 242 mm x 241 mm		2.050 mm x 221 mm x 241 mm		
Peso netto	6,9 kg		6,6 kg		
Volume (serbatoio del carburante)	0,6 l				
Lunghezza di taglio	490 mm				
Diametro massimo dei rami	7 mm				
Corse di taglio	4.200 min <sup>-1</sup>				
Tipo di motore	Monocilindrico a quattro tempi con raffreddamento ad aria				
Cilindrata del motore	25,4 cm <sup>3</sup>				
Prestazioni massime del motore	0,77 kW a 7.000 min <sup>-1</sup>				
Velocità del motore alla massima velocità consigliata, velocità del mandrino	10.000 min <sup>-1</sup>				
Consumo di carburante	0,33 kg/ora				
Consumo specifico di carburante	408 g/kWh				
Velocità al minimo	3.000 min <sup>-1</sup>				
Velocità di innesto della frizione	4.400 min <sup>-1</sup>				
Carburatore (diaframma carburatore)	Tipo di diaframma				
Candela	tipo	NGK CMR4A			
Distanza tra gli elettrodi	0,7 - 0,8 mm				
		Vibrazioni per ISO 10517		Vibrazioni per ISO 10517	
Impugnatura destra (impugnatura posteriore)	a <sub>hv eq</sub>	8,5 m/s <sup>2</sup>		7,0 m/s <sup>2</sup>	
	Variazione K	1,3 m/s <sup>2</sup>		3,1 m/s <sup>2</sup>	
Impugnatura sinistra (Impugnatura anteriore)	a <sub>hv eq</sub>	6,4 m/s <sup>2</sup>		5,1 m/s <sup>2</sup>	
	Variazione K	2,6 m/s <sup>2</sup>		1,5 m/s <sup>2</sup>	
		Livello sonoro secondo ISO 10517		Livello sonoro secondo ISO 10517	
Livello di pressione sonora	90 dB (A)		90,2 dB (A)		
Variazione K	1,8 dB (A)		1,0 dB (A)		
Livello di potenza sonora	103,0 dB (A)		104,1 dB (A)		
Variazione K	1,0 dB (A)		0,4 dB (A)		
Carburante	Carburante per automobili (benzina)				
Olio motore	Olio classificazione API, classe SF o superiore, oppure SAE 10W-30 (olio motore a quattro tempi per automobili)				
Rapporto di trasmissione	1/4,78				



## DENOMINAZIONE DEI COMPONENTI



	Denominazione dei componenti
1	Cavo dell'acceleratore
2	Sicura di accensione
3	Leva dell'acceleratore
4	Interruttore di arresto
5	Impugnatura
6	Albero
7	Scatola degli ingranaggi
8	Lama da taglio
9	Filtro dell'aria
10	Tappo del serbatoio del carburante
11	Serbatoio del carburante
12	Scatola della frizione
13	Tappo della candela
14	Pompa di adescamento
15	Marmitta
16	Starter manuale
17	Manopola di avviamento
18	Copilama
19	Tappo dell'olio
20	Serbatoio dell'olio
21	Tracolla (accessorio opzionale)

## MONTAGGIO

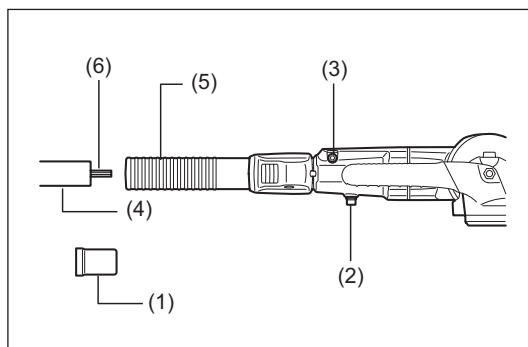
### ⚠ AVVERTENZA:

- Prima di montare il taglia siepi, assicurarsi che il motore sia spento e staccare il tappo della candela.
- Indossare i guanti di protezione!
- Quando si collega l'unità di taglio all'asta, proteggere le lame da taglio con i coprilama forniti.

1. Rimuovere il tappo (1) dall'albero.
2. Allentare il bullone M5 x 16 (2) e il bullone M5 x 25 (3).
3. Inserire l'albero (4) nel carter (5).

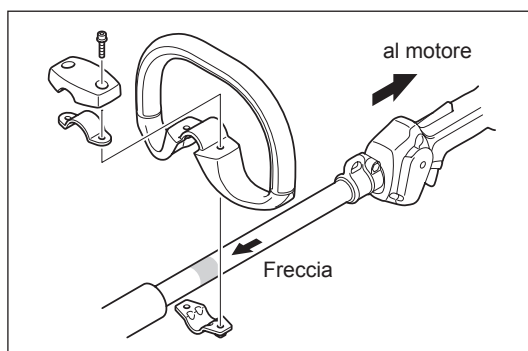
NOTA: Assicurarsi che l'albero sia inserito completamente nel carter (approx. 237 mm/9-3/8").  
Se si incontrano problemi nell'inserimento, ruotare manualmente di poco l'assale di trasmissione (6) e riprovare.

4. Assicurarsi che l'albero sia ben inserito, quindi stringere il bullone M5 x 16 e il bullone M5 x 25.



### FISSAGGIO DELL'IMPUGNATURA (per MH-246.4 D)

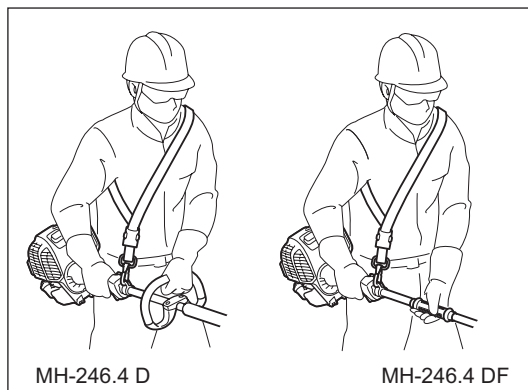
- Fissare l'impugnatura ad anello sull'albero, come mostrato nella figura.
- Per mantenere la giusta distanza tra i punti di presa, l'impugnatura ad anello deve essere posta davanti alle frecce.



## TRACOLLA (accessorio opzionale)

### Come indossare la tracolla

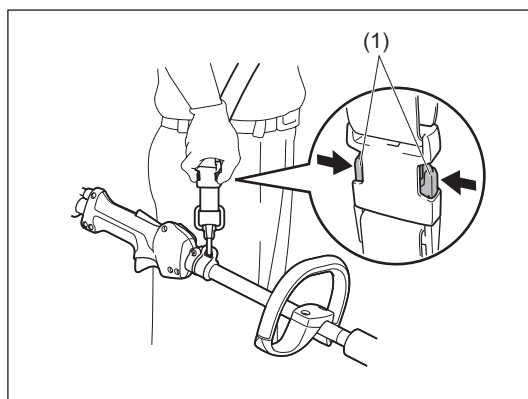
- Indossare la tracolla sulla spalla sinistra.
- Tenere il taglia siepi sul lato destro del corpo.
- Fissare la tracolla al gancio sul taglia siepi e regolare la lunghezza della tracolla in modo da lavorare comodamente.



### Distacco

- In caso di emergenza, premere in corrispondenza delle tacche (1) su entrambi i lati per sganciare l'apparecchio. Durante questa operazione è fondamentale mantenere il controllo dell'apparecchio. Non consentire che l'apparecchio venga deviato verso l'operatore o altre persone nelle vicinanze.

AVVERTENZA: La perdita completa del controllo dell'apparecchio potrebbe essere causa di gravi infortuni o di MORTE.



## PRIMA DELL'AVVIAMENTO

### Ispezione e rabbocco dell'olio motore

- Eseguire la seguente procedura a motore freddo.
- Posizionare il motore in piano, rimuovere il tappo dell'olio (Fig. 1) e verificare che il livello dell'olio sia compreso tra i limiti superiore e inferiore del tubo dell'olio (Fig. 2).
- Rabboccare l'olio fino all'indicatore di limite superiore, se l'olio è insufficiente (vicino all'indicatore di limite inferiore) (Fig. 3).
- L'area che circonda i contrassegni esterni è trasparente, pertanto è possibile controllare il livello dell'olio senza dover rimuovere il tappo. Tuttavia, se il tubo dell'olio è particolarmente sporco, la visibilità potrebbe essere compromessa; in questo caso occorre controllare il livello dell'olio utilizzando la sezione a gradini all'interno del tubo.
- Il tempo indicativo di rabbocco dell'olio è pari a circa 10 ore (ogni 10 rifornimenti). Sostituire l'olio se cambia colore o viene a contatto con della sporcizia. (Per informazioni sull'intervallo e sul metodo di sostituzione, vedere a pag. 92)

**Olio consigliato:** Olio SAE 10W-30 di classificazione API, classe SF o superiore (motore a quattro tempi per automobili)

**Volume dell'olio:** approx. 0,08 l

**NOTA:** Se il motore non è in piano, è possibile che l'olio entri in circolo nel motore e il rabbocco effettuato sia eccessivo. Se l'olio viene rabboccato oltre il limite, possono verificarsi contaminazioni o incendi che producono fumo bianco.

### Punto 1 della sostituzione dell'olio: "Tappo dell'olio"

- Rimuovere polvere o sporcizia in prossimità del bocchettone di rifornimento dell'olio, quindi rimuovere il tappo dell'olio.
- Evitare il contatto del tappo dell'olio con sabbia o polvere. In caso contrario, la sabbia o la polvere che ha aderito al tappo potrebbe provocare una circolazione irregolare dell'olio o determinare l'usura delle parti del motore, con conseguenti problemi.

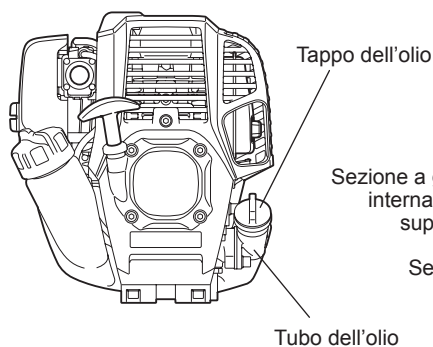


Fig. 1

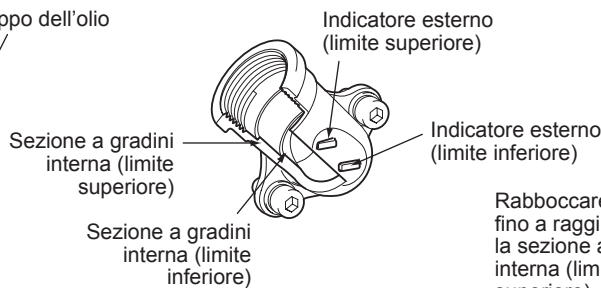


Fig. 2 Tubo dell'olio

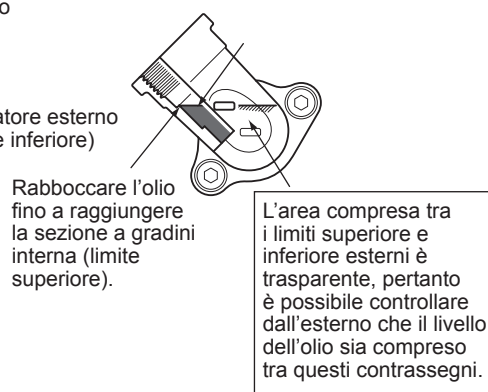
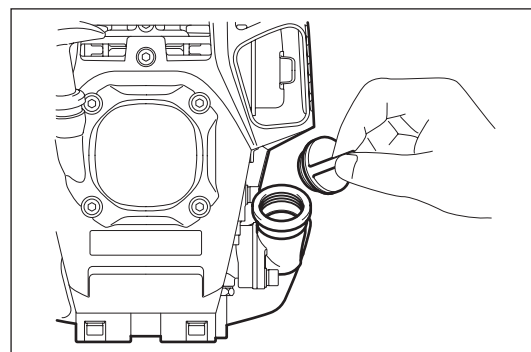
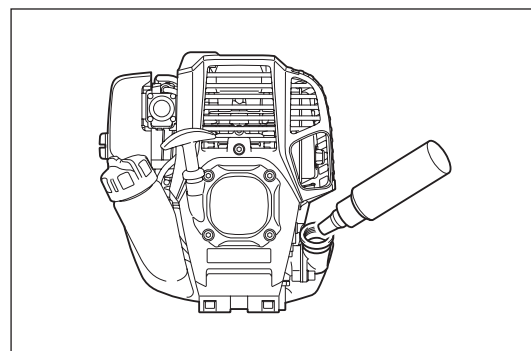


Fig. 3

(1) Mantenere il motore in piano e rimuovere il tappo dell'olio.



(2) Rabboccare con olio fino all'indicatore di limite superiore. (vedere la Fig. 3)  
Usare il flacone dell'olio per il rifornimento.



(3) Serrare il tappo dell'olio. Un serraggio insufficiente può causare perdite d'olio.

#### Nota

- Non sostituire l'olio se il motore è in posizione inclinata.
- Il rabbocco effettuato con il motore inclinato può portare a un eccessivo riempimento, causando la contaminazione dell'olio e/o la produzione di fumo bianco.

#### Punto 2 della sostituzione dell'olio: "Fuoriuscite d'olio"

- Se dovesse fuoriuscire e penetrare tra il serbatoio del carburante e il gruppo principale del motore, l'olio verrebbe aspirato dall'apertura di aspirazione dell'aria di raffreddamento, contaminando il motore. Pulire eventuali fuoriuscite d'olio prima di mettere in funzione l'apparecchio.

## RIFORMIMENTO

### Gestione del carburante

È necessario trattare sempre il carburante con la massima attenzione. Il carburante potrebbe contenere sostanze simili ai solventi. Il rifornimento deve avvenire in un ambiente ben aerato o all'aria aperta. Non inalare i vapori e mantenere il carburante a distanza dal proprio corpo. Un contatto ripetuto o prolungato con il carburante potrebbe seccare la pelle, provocando fastidi o allergie. Qualora il carburante entri a contatto con gli occhi, lavare gli occhi con acqua fresca. Se l'irritazione oculare persiste, consultare un medico.

### Periodo di conservazione del carburante

Il carburante deve essere usato entro 4 settimane, anche se viene conservato in contenitori specifici in zone ben ventilate e in ombra. In caso contrario, il carburante potrebbe deteriorarsi in un giorno.

### CONSERVAZIONE DELL'APPARECCHIO E RIFORMIMENTO DEL SERBATOIO

- Conservare l'apparecchio e il serbatoio in un luogo fresco e non esposto alla luce diretta del sole.
- Non conservare il carburante in auto.

### Carburante

Il motore dell'apparecchio è a quattro tempi. Usare benzina senza piombo per automobili con almeno 87 ottani ((R+M)/2). Non deve contenere più del 10% di alcol (E-10).

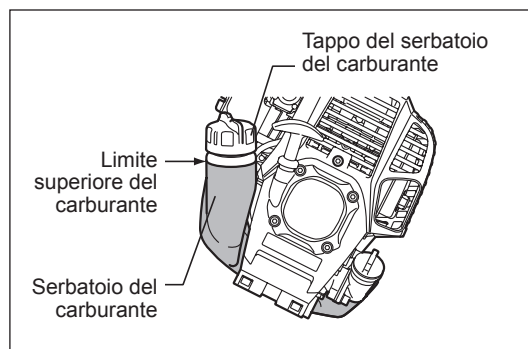
### Informazioni utili sul carburante

- Non usare una miscela di benzina e olio motore. In caso contrario potrebbe verificarsi un accumulo eccessivo di carbonio con conseguenti problemi meccanici.
- L'uso di olio deteriorato può causare un avviamento irregolare.

### Rifornimento

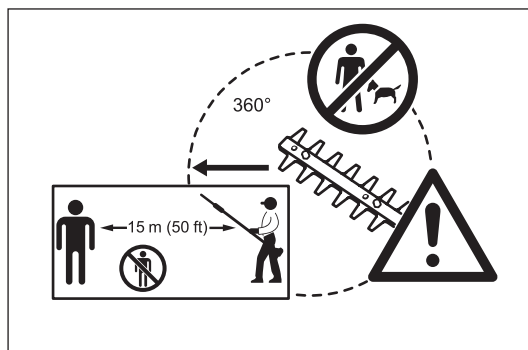
#### AVVERTENZA: DIVIETO DI UTILIZZO DI INFIAMMABILI

- Allentare leggermente il tappo del serbatoio per sfogare la pressione nel serbatoio.
  - Rimuovere il tappo del serbatoio ed effettuare il rifornimento, scaricando l'aria con un'inclinazione del serbatoio in modo da orientare il bocchettone verso l'alto. (NON rabboccare il carburante fino alla parte superiore del serbatoio.)
  - Pulire il tappo del serbatoio per evitare la penetrazione di corpi estranei nel serbatoio.
  - Serrare il tappo del serbatoio una volta completato il rifornimento.
- 
- Se il tappo del serbatoio presenta danni o difetti è necessario sostituirlo.
  - Il tappo del serbatoio si usura con il tempo. Sostituirlo ogni due o tre anni.



## PRECAUZIONI PRIMA DI AVVIARE IL MOTORE

- Lasciare sempre una zona di sicurezza di 15 metri di diametro intorno all'area di lavoro. Assicurarsi che persone (in particolare i bambini) e/o animali restino al di fuori di questa zona.
- Prima di usare il tagliasepi, assicurarsi che l'apparecchio sia in condizioni operative sicure. Assicurarsi che le lame da taglio non siano danneggiate e controllare che la leva dell'acceleratore si possa azionare facilmente. Le lame da taglio non devono essere in movimento quando il motore è al minimo. Se l'apparecchio non funziona normalmente, contattare il proprio rivenditore per farlo regolare. Assicurarsi che le impugnature siano pulite e asciutte e controllare che l'interruttore I-O funzioni correttamente. Avviare il motore unicamente nel rispetto delle istruzioni fornite nel presente manuale. Non usare alcun altro metodo per avviare il tagliasepi!
- Avviare il motore del tagliasepi solo dopo aver letto e compreso le istruzioni. Non cercare mai di avviare un tagliasepi che non sia stato completamente assemblato in quanto questo potrebbe causare infortuni gravi.
- Prima di avviare il motore, assicurarsi che le lame da taglio non siano ostruite da pietre, rami o altri oggetti solidi.
- Controllare che nell'area di lavoro non vi siano fili, corde, vetro o altri oggetti estranei che potrebbero incastrarsi nelle lame da taglio.
- Scossa elettrica: Prestare attenzione alle linee elettriche vicine. Prima di iniziare, controllare che sull'intera area di lavoro non siano presenti linee elettriche.



## INFORMAZIONI UTILI SUL FUNZIONAMENTO E SULL'ARRESTO

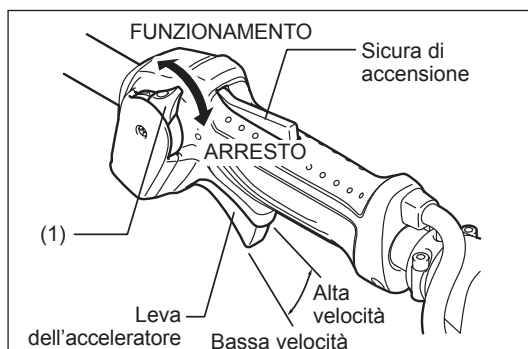
Rispettare le normative vigenti per la prevenzione degli infortuni.

### AVVIAMENTO

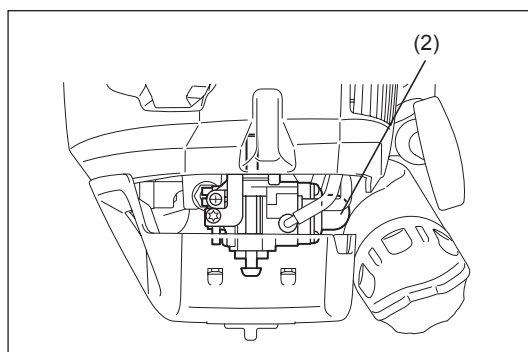
Allontanarsi di almeno 3 metri dal luogo del rifornimento. Appoggiare il tagliasepi su una zona di terreno libera, avendo cura che le lame da taglio non siano a contatto con il terreno o con qualunque altro oggetto.

#### A: Avviamento a freddo

- 1) Appoggiare l'apparecchio su una superficie piana.
- 2) Portare l'interruttore I-O (1) nella posizione di FUNZIONAMENTO.

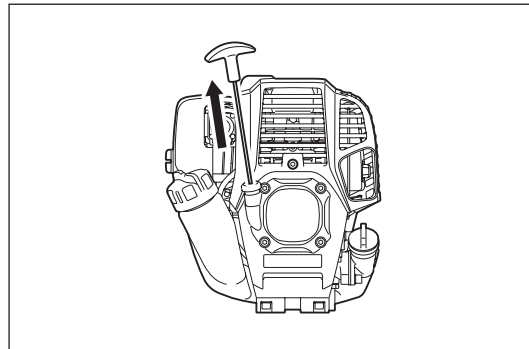


- 3) Pompa di adescamento  
Premere la pompa di adescamento (2) finché il carburante non affluisce nella pompa. (In generale, il carburante entra nella pompa di adescamento dopo 7-10 pressioni.) Se la pompa di adescamento viene premuta eccessivamente, la benzina in eccesso torna nel serbatoio del carburante.



- 4) Starter manuale  
Tirare delicatamente la manopola di avviamento fin quando non risulta difficile da tirare (punto di compressione). A questo punto, riportare la manopola nella posizione iniziale e tirarla con forza. Non tirare la corda fino alla completa estensione. Una volta tirata la manopola di avviamento, non togliere immediatamente la mano. Accompagnare la manopola di avviamento finché non ritorna nella posizione originale.
- 5) Operazione di riscaldamento  
Continuare l'operazione di riscaldamento per 2 o 3 minuti.

NOTA: In caso di eccessiva aspirazione del carburante, staccare la candela e tirare lentamente l'impugnatura di avviamento per rimuovere il carburante in eccesso. Asciugare quindi la sezione degli elettrodi della candela.



**B: Avviamento dopo l'operazione di riscaldamento**

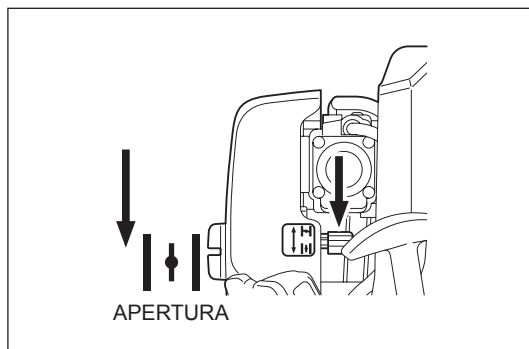
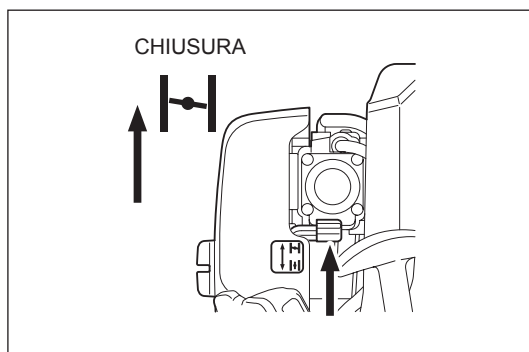
- 1) Premere più volte la pompa di adescamento delicatamente.
- 2) Mantenere la leva dell'acceleratore nella posizione di folle.
- 3) Tirare con forza lo starter manuale.
- 4) Se l'avviamento del motore risulta difficoltoso, aprire l'acceleratore di circa 1/3. Prestare attenzione alle lame da taglio, che potrebbero muoversi.

**A volte, ad esempio d'inverno, se avviare il motore risulta difficile, azionare la leva del dispositivo di avviamento seguendo la procedura descritta di seguito.**

- Dopo aver svolto i passaggi da 1) a 3), portare la leva del dispositivo di avviamento nella posizione di CHIUSURA.
- Eseguire il passaggio 4) e avviare il motore.
- Una volta avviato il motore, portare la leva del dispositivo di avviamento nella posizione di APERTURA.
- Eseguire il passaggio 5) e completare il riscaldamento.

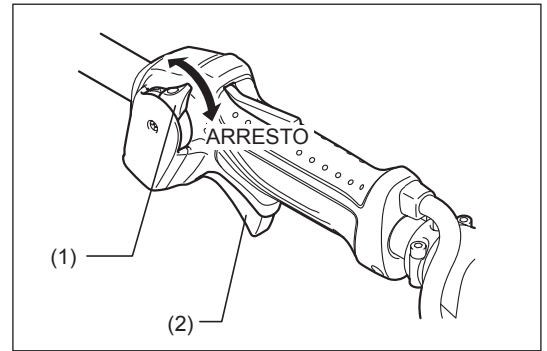
ATTENZIONE: Se l'apparecchio produce un suono di esplosione e il motore si ferma, oppure se il motore appena avviato entra in stallo prima che venga azionata la leva del dispositivo di avviamento, riportare tale leva nella posizione di APERTURA e tirare la manopola di avviamento alcune volte per avviare il motore.

ATTENZIONE: Se la leva del dispositivo di avviamento rimane nella posizione di CHIUSURA e la manopola di avviamento viene tirata ripetutamente, è possibile che venga aspirato troppo carburante e che il motore risulti difficile da avviare.



## ARRESTO

- 1) Rilasciare completamente la leva dell'acceleratore (2) e, una volta ridotta la velocità del motore, portare l'interruttore I-O (1) nella posizione di ARRESTO. Il motore si spegne.
- 2) La testina di taglio potrebbe non fermarsi immediatamente; attendere che rallenti del tutto.

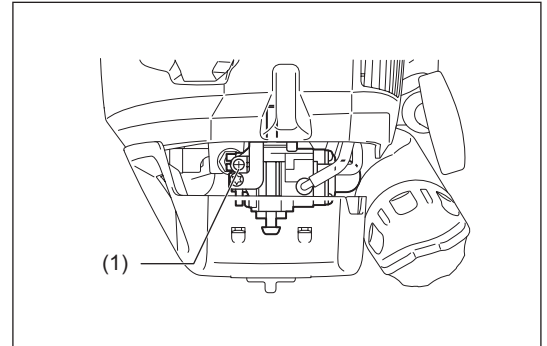


## REGOLAZIONE DELLA ROTAZIONE A BASSA VELOCITÀ (MINIMO)

Se fosse necessario regolare la rotazione a bassa velocità (minimo), effettuare la modifica utilizzando la vite di regolazione del carburatore (1).

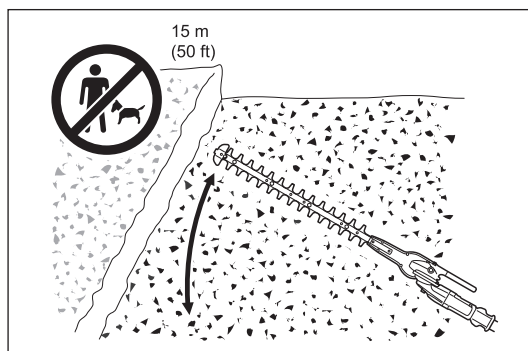
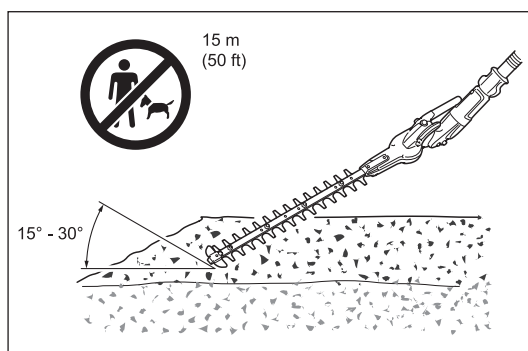
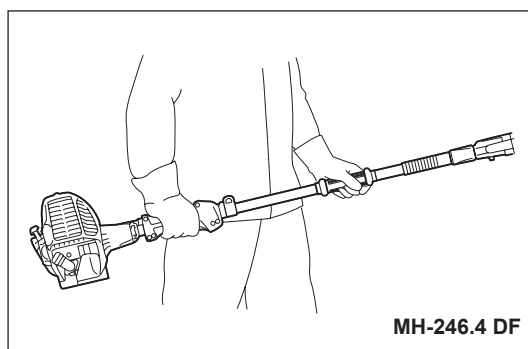
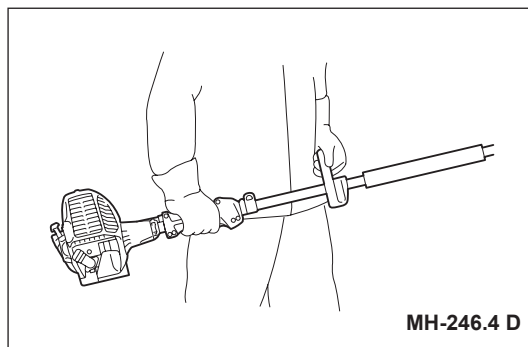
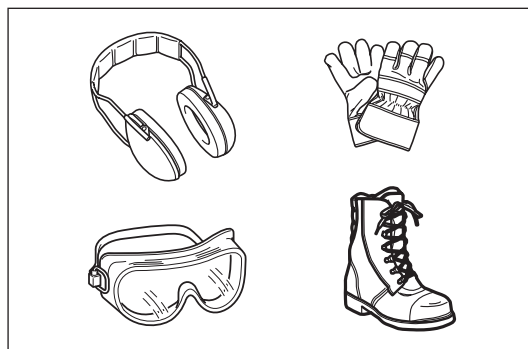
## CONTROLLO DELLA ROTAZIONE A BASSA VELOCITÀ

- Impostare la rotazione a bassa velocità su 3.000 rpm (/min).  
Se è necessario cambiare la velocità di rotazione, operare sulla vite di regolazione (1) con un cacciavite a stella.
- Ruotare la vite di regolazione a destra per aumentare la velocità del motore. Ruotare la vite di regolazione a sinistra per diminuire la velocità del motore.
- Il carburatore viene generalmente regolato prima della spedizione. Se fosse necessario regolarlo di nuovo, è opportuno contattare un centro assistenza autorizzato.



## FUNZIONAMENTO DEL TAGLIASIEPI

- Non toccare l'area delle lame da taglio del tagliasiepi durante il funzionamento o col motore acceso.
- Prestare particolare attenzione a non inalare gas di scarico quando si lavora col tagliasiepi. Non utilizzare mai il tagliasiepi in un ambiente chiuso o in un'area non aerata a sufficienza (rischio di soffocamento e di avvelenamento da gas). Il monossido di carbonio è un gas inodore la cui presenza non può essere rilevata con l'olfatto.
- Indossare sempre gli indumenti di protezione prima di iniziare a lavorare col tagliasiepi.
- Spegnerne immediatamente il motore se la marmitta non funziona correttamente.
- Utilizzare il tagliasiepi solo in buone condizioni di luce e visibilità.
- Non utilizzare il tagliasiepi al buio o in presenza di nebbia. Fare attenzione alle aree scivolose e umide (ghiaccio e neve) nella stagione fredda (pericolo di scivolamento) e assicurarsi sempre di avere un buon equilibrio.
- Non utilizzare mai il tagliasiepi su una superficie instabile o su pendenze ripide.
- Non utilizzare mai il tagliasiepi stando su una scala.
- Non salire mai su un albero per utilizzare il tagliasiepi.
- Controllare costantemente che nell'area di lavoro non vi siano fili, corde, vetro o altri oggetti estranei che potrebbero incastrarsi nelle lame da taglio.
- Prima di iniziare a tagliare, assicurarsi che le lame da taglio si muovano rapidamente.
- Quando si lavora col tagliasiepi, tenerlo sempre con due mani e mantenere una presa ferma.
- Per garantire un controllo ottimale del tagliasiepi, stringere tutta la mano intorno alle impugnature (utilizzando il pollice per fare contropressione) e mantenere una presa ferma sulle stesse.
- Le lame da taglio continuano a muoversi per due secondi massimo dopo che la leva dell'acceleratore viene rilasciata.
- Non tagliare col tagliasiepi a bassa velocità del motore.
- La velocità delle lame da taglio non può essere regolata correttamente con la leva dell'acceleratore se il motore funziona a bassa velocità.
- Per tagliare la superficie superiore di una siepe, allineare prima le lame da taglio con un angolo di 15° - 30° nella direzione di taglio, quindi tenere l'apparecchio in posizione orizzontale. Poi iniziare a tagliare con un movimento oscillante, come se si stessero disegnando segmenti circolari con l'albero del tagliasiepi.
- Per tagliare i lati di una siepe, mettere le lame in posizione parallela alla superficie da tagliare, quindi procedere con movimenti semi-circolari verso l'alto (giù-su).
- Prestare attenzione durante il taglio di siepi collocate vicino o a ridosso di recinzioni metalliche.
- Le lame da taglio non devono venire in contatto con corpi duri quali recinzioni metalliche, pietre o con il terreno. Le lame potrebbero incrinarsi, scheggiarsi o rompersi.
- Non utilizzare il tagliasiepi per un periodo di tempo prolungato. In generale, fare una pausa di 10-20 minuti ogni 50 minuti di funzionamento.
- Se le lame da taglio entrano in contatto con pietre o altri oggetti solidi, spegnere immediatamente il motore e controllare la presenza di danni alle lame. Sostituire le lame, se danneggiate.
- Se, durante l'utilizzo, si presenta un problema al tagliasiepi (rumori strani, vibrazioni, ecc.), spegnere immediatamente il motore. Non utilizzare il tagliasiepi senza prima individuare e risolvere il problema.
- Fare sempre il possibile per limitare al massimo l'inquinamento e i rumori durante l'uso del tagliasiepi. Prestare particolare attenzione alla corretta regolazione del carburatore.
- Se nelle lame da taglio restano impigliati dei rami spessi, spegnere subito il motore, appoggiare a terra l'apparecchio e rimuovere l'ostacolo. Controllare la presenza di danni sulle lame prima di utilizzare di nuovo l'apparecchio.





## Regolazione dell'angolo di taglio

### Avvertenza:

- Non utilizzare l'apparecchio se l'unità di taglio è allentata e instabile.

È possibile regolare l'angolo di taglio verso l'alto di 45° e verso il basso di 90°.

1. Spegner il motore del tagliaerba e appoggiare l'apparecchio a terra.
2. Per regolare l'angolazione dell'unità di taglio, afferrare l'impugnatura **(A)** dell'unità di taglio con una mano e tenere il blocco dell'angolazione **(B)** con l'altra mano, come mostrato nella figura.
3. Tirare delicatamente il blocco dell'angolazione e cambiare l'angolazione dell'unità di taglio. Dopo aver regolato l'angolazione, rilasciare delicatamente il blocco dell'angolazione.

### Nota:

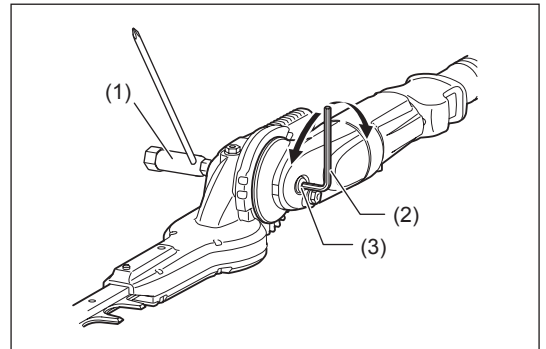
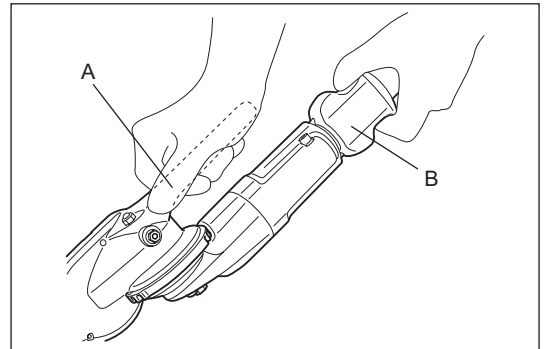
- L'unità di taglio viene serrata solo a specifiche angolazioni corrispondenti alla scanalatura sull'unità. Assicurarsi che l'unità di taglio sia fissata correttamente. Se l'angolazione non è adeguata, la frizione viene disinnestata e l'apparecchio non può essere azionato.
- Non regolare l'unità di taglio mentre il tagliaerba è in posizione verticale.
- Portare l'interruttore I-O nella posizione "O" e appoggiare il tagliaerba terra per regolare l'angolo di taglio.
- Fissare sempre le lame con il coprilama in dotazione prima di regolare l'angolo di taglio.

Se l'unità di taglio è allentata, è necessario serrare il bullone, corrispondente all'asse di regolazione dell'angolazione.

1. Applicare la chiave a tubo (1) e la chiave esagonale (2) sul bullone (3).
2. Regolare la chiusura dell'unità di taglio ruotando la chiave esagonale, quindi serrare il bullone ruotando la chiave a tubo.

### Nota:

- Non serrare eccessivamente l'unità di taglio. L'angolazione dell'unità di taglio non potrà essere cambiata se il serraggio è eccessivo.



## MANUTENZIONE

- Prima di effettuare qualsiasi intervento di manutenzione sulle lame del tagliaiepi (pulizia, ecc.), spegnere sempre il motore e aspettare che si raffreddi. Come precauzione di sicurezza aggiuntiva, staccare il tappo della candela.
- Non cercare di raddrizzare o saldare le lame da taglio piegate o rotte. Sostituire sempre le lame danneggiate.
- Spegnerne il motore a intervalli regolari per controllare che le lame da taglio non siano danneggiate (effettuare un test di risonanza da scuotimento per rilevare crepe molto sottili difficili da vedere). Assicurarsi sempre che i denti delle lame siano affilati.
- Pulire il tagliaiepi regolarmente. Durante la pulizia, controllare che tutte le viti, i dadi e i bulloni siano ben serrati.
- Per ridurre il rischio di incendio, non effettuare mai la manutenzione o stoccare il tagliaiepi in prossimità di fiamme libere.
- Indossare sempre guanti di protezione resistenti per maneggiare le lame da taglio.
- Per il ricambio delle lame da taglio rivolgersi al proprio rivenditore.
- Evitare assolutamente di usare benzina, diluenti, solventi, alcol o sostanze simili per la pulizia. In caso contrario, potrebbero verificarsi scoloriture, deformazioni o incrinature.

### Affilatura delle lame

Se le lame sono usurate e le prestazioni di taglio risultano scadenti, rivolgersi a un rappresentante autorizzato dell'assistenza chiedendo di affilare le lame.

### Regolazione del gioco delle lame

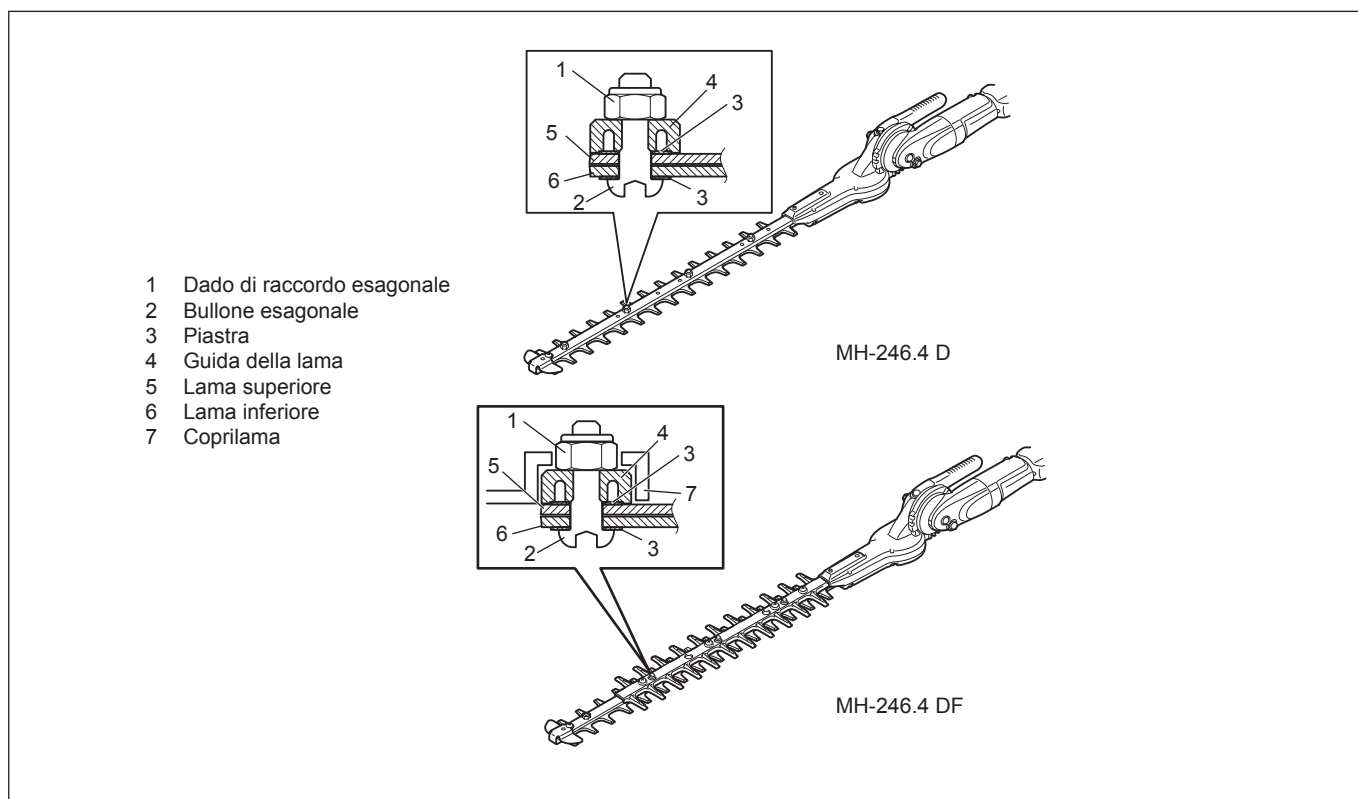
Le lame superiore e inferiore si usurano gradualmente dopo le operazioni. Se non si riesce a ottenere un taglio netto nonostante le lame siano abbastanza affilate, regolare il gioco delle lame come di seguito indicato.

Il gioco delle lame è determinato da quanto è stretto il bullone esagonale. Il dado mantiene un certo serraggio del bullone esagonale. Un gioco troppo ampio determina risultati di taglio scadenti, ma se è troppo stretto si produce un riscaldamento non necessario che consuma prima le lame.

1. Allentare il dado (1) con una chiave a stella o una chiave a bocca.
2. Serrare leggermente il bullone esagonale (2) con una chiave esagonale fino all'arresto. Riavvitarlo di un quarto di giro-mezzo giro per ottenere il gioco necessario.
3. Stringere il dado (1), tenendo fermo il bullone esagonale (2).
4. Lubrificare la superficie di frizione delle lame con dell'olio leggero.
5. Avviare il motore, quindi azionare e disattivare l'acceleratore per un minuto.
6. Arrestare il motore e toccare la superficie. Se le lame sono calde ma possono essere tenute in mano, la regolazione è corretta. Se scottano troppo per poter essere tenute in mano, girare leggermente in senso contrario il bullone esagonale (2) e ripetere i passaggi da 5 a 6.

NOTA: Prima di effettuare la regolazione, spegnere il motore e attendere l'arresto delle lame.

Le lame presentano una fessura intorno al bullone esagonale (2). Se si nota della polvere all'estremità di una delle fessure, rimuoverla.



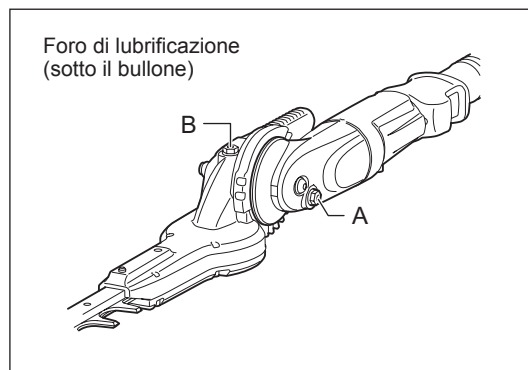
## Ingrassaggio e lubrificazione

**Importante:** Prima della lubrificazione, assicurarsi che la superficie della scatola degli ingranaggi si sia raffreddata del tutto.

- La scatola degli ingranaggi del tagliaiepi deve essere lubrificata ogni 25 ore di funzionamento. I fori di lubrificazione si trovano sotto il bullone. Rimuovere il bullone per effettuare la lubrificazione. Aggiungere circa 3 g (4 cm<sup>3</sup>) di lubrificante nel punto A e 5 g (7 cm<sup>3</sup>) nel punto B della scatola degli ingranaggi utilizzando il foro di lubrificazione. Rimontare il bullone dopo la lubrificazione. Dopo aver inserito la corretta quantità di grasso, al primo utilizzo fuoriuscirà del grasso dalla base della lama.

**ATTENZIONE:** Rispettare gli intervalli di lubrificazione e la quantità di lubrificante da utilizzare.

Le parti meccaniche del tagliaiepi potrebbero danneggiarsi se non si effettua la lubrificazione agli intervalli indicati o se la quantità di lubrificante aggiunto non è sufficiente.



## Controllo e manutenzione giornalieri

Per garantire una lunga durata del tagliaiepi, effettuare quotidianamente le seguenti ispezioni e operazioni di manutenzione.

- Prima dell'uso;
  - Controllare sempre, prima dell'uso, che non vi siano parti allentate o mancanti. Prestare particolare attenzione all'unità di taglio e assicurarsi che le viti di arresto delle lame da taglio siano ben serrate.
  - Prima dell'uso, controllare che i passaggi dell'aria e le alette di raffreddamento del cilindro non siano ostruiti. Effettuare la pulizia, se necessario.
- Dopo l'uso;
  - Pulire esternamente il tagliaiepi e ispezionarne l'integrità.
  - Pulire il filtro dell'aria. Pulire il filtro più volte al giorno se si lavora in zone molto polverose.
  - Controllare che le lame da taglio non siano danneggiate. Assicurarsi che le lame siano montate saldamente.
  - Se dopo la regolazione le lame da taglio girano ancora al minimo, rivolgersi al centro di assistenza autorizzato di zona.

## SOSTITUZIONE DELL'OLIO MOTORE

L'olio motore deteriorato riduce notevolmente la durata delle parti scorrevoli e rotanti. Controllare quindi il periodo e la quantità della sostituzione.



**PERICOLO:** In generale, il gruppo principale del motore e l'olio motore rimangono caldi dopo l'arresto del motore. Per sostituire l'olio è necessario verificare che il gruppo principale del motore e l'olio motore si siano raffreddati. Diversamente, è possibile procurarsi ustioni. Dopo l'arresto del motore, attendere il tempo necessario affinché l'olio motore torni al serbatoio dell'olio e sia garantita una lettura accurata dell'indicatore del livello dell'olio.

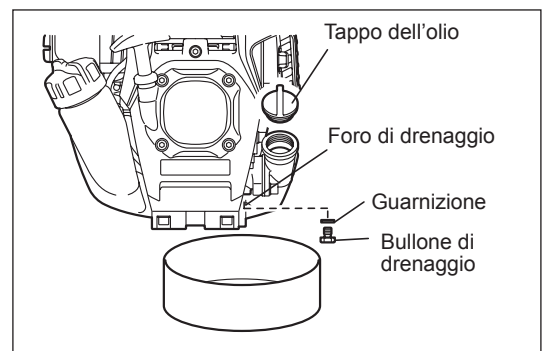
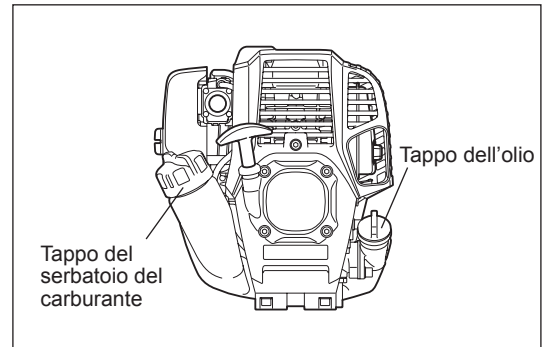
**NOTA:** Se l'olio supera il limite, può contaminarsi o incendiarsi producendo fumo bianco.

**Intervallo di sostituzione:** Inizialmente ogni 20 ore di funzionamento, successivamente ogni 50 ore di funzionamento.

**Olio consigliato:** Olio SAE 10W-30, classificazione API, classe SF o superiore (motore a quattro tempi per automobili)

Per la sostituzione attenersi alla seguente procedura.

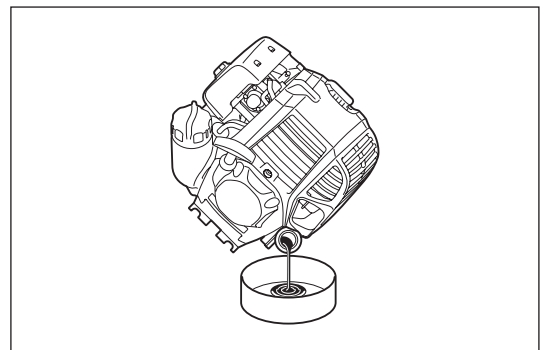
- 1) Assicurarsi che il tappo del serbatoio del carburante sia ben serrato.
- 2) Posizionare un grande contenitore sotto il foro di drenaggio.
- 3) Rimuovere il bullone di drenaggio e quindi il tappo dell'olio per scaricare l'olio dal foro di drenaggio. In questa fase, evitare di perdere la guarnizione del bullone di drenaggio e di sporcare i componenti rimossi.
- 4) Una volta scaricato l'olio, unire la guarnizione e il bullone di drenaggio, poi serrare quest'ultimo in modo che non si allenti e causi perdite.  
\* Usare un panno per rimuovere l'olio che ha aderito al bullone e all'apparecchio.



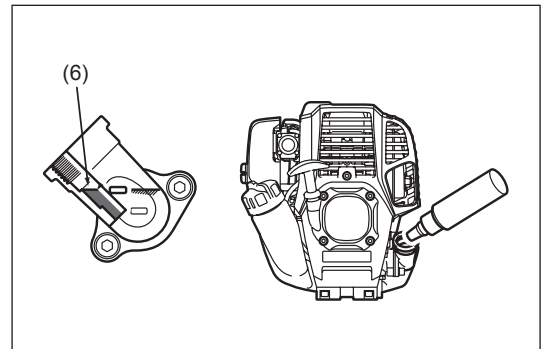
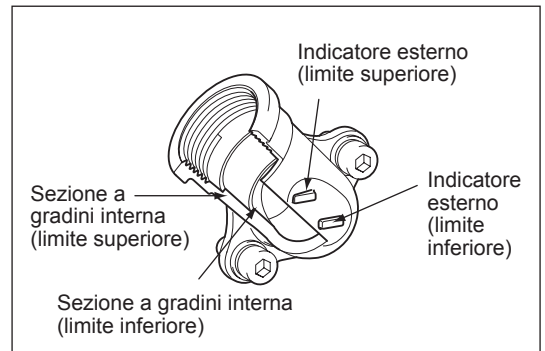
### Metodo di drenaggio alternativo

Rimuovere il tappo dell'olio, inclinare il tagliaerba verso il foro di raccordo e scaricare l'olio.

Raccogliere l'olio in un contenitore.



- 5) Posizionare il motore in piano e rabboccare gradatamente l'olio fino all'indicatore di limite superiore (6).
- 6) Dopo il rifornimento, serrare il tappo dell'olio in modo che non si allenti e causi perdite. Se il tappo dell'olio non è correttamente serrato, potrebbero verificarsi perdite d'olio.



#### INFORMAZIONI UTILI SULL'OLIO

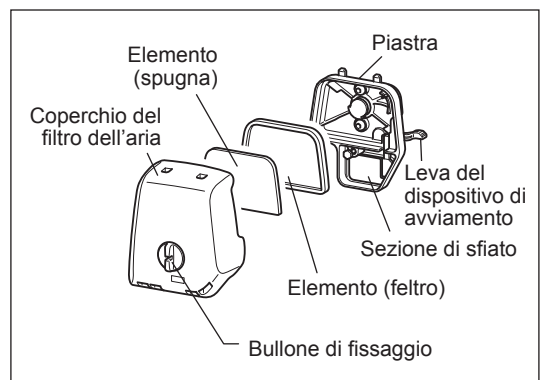
- Non gettare l'olio motore sostituito nella spazzatura, nel terreno o nei tombini. Lo smaltimento dell'olio è regolamentato dalle leggi. Per lo smaltimento attenersi sempre a leggi e regolamenti in vigore. Per qualsiasi informazione rivolgersi al rappresentante autorizzato dell'assistenza.
- L'olio si deteriora anche se resta inutilizzato. Eseguire regolarmente l'ispezione e la sostituzione (sostituire l'olio ogni 6 mesi).

#### Pulizia del filtro dell'aria

##### PERICOLO: Divieto di utilizzo di infiammabili

Controllare e pulire il filtro dell'aria ogni giorno oppure ogni 10 ore di utilizzo.

- Ruotare la leva del dispositivo di avviamento in modo che sia completamente chiusa e tenere il carburatore lontano da polvere e sporcizia.
- Allentare il bullone di fissaggio.
- Rimuovere il coperchio del filtro dell'aria spingendo sul lato inferiore.
- Rimuovere gli elementi e picchiettarli per rimuovere lo sporco.
- Se gli elementi sono seriamente contaminati: Rimuovere gli elementi, immergerli in acqua calda o in un detergente neutro diluito con acqua e lasciarli asciugare completamente. Non strizzarli o strofinarli durante il lavaggio.
- Lasciare asciugare completamente gli elementi prima di rimontarli. Un'asciugatura insufficiente degli elementi può comportare difficoltà nell'avviamento.
- Utilizzare un panno usa e getta per rimuovere l'eventuale olio presente sul coperchio del filtro dell'aria e sulla sezione di sfiato.
- Inserire l'elemento (spugna) nell'elemento (feltro).
- Inserire gli elementi nella piastra in modo che la spugna si trovi di fronte al coperchio del filtro dell'aria.
- Attaccare immediatamente il coperchio del filtro e fissarlo con i bulloni di fissaggio. (Durante il rimontaggio è necessario inserire prima la pinza superiore e poi quella inferiore.)



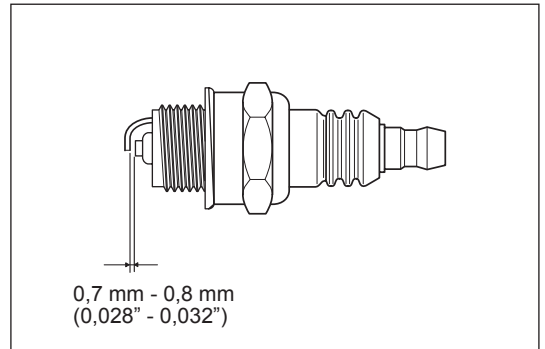
#### AVVISO:

- Pulire gli elementi più volte al giorno se la polvere è eccessiva. Gli elementi sporchi riducono la potenza del motore e rendono difficoltoso l'avviamento del motore.
- Rimuovere l'olio dagli elementi. Se l'utilizzo continua senza che l'olio venga rimosso dagli elementi, l'olio all'interno del filtro dell'aria potrebbe fuoriuscire, provocando una contaminazione dell'ambiente.
- Non appoggiare gli elementi a terra o in luoghi sporchi. In caso contrario, gli stessi raccolgono sporcizia e detriti. Ciò potrebbe danneggiare il motore.
- Non usare il carburante per la pulizia degli elementi. Il carburante potrebbe danneggiarli.

## CONTROLLO DELLA CANDELA

- Usare esclusivamente la chiave universale in dotazione per rimuovere o montare la candela.
- Lo spazio fra i due elettrodi della candela deve essere compreso tra 0,7 e 0,8 mm (0,028" - 0,032"). Se la distanza è superiore o inferiore a questo intervallo è necessario regolarla. Se la candela è ostruita o contaminata occorre pulirla accuratamente o sostituirla.

ATTENZIONE: Non toccare mai il cavo della candela mentre il motore è in moto (pericolo di scossa elettrica ad alta tensione).



## Pulizia del filtro del carburante (testina aspirante nel serbatoio del carburante)

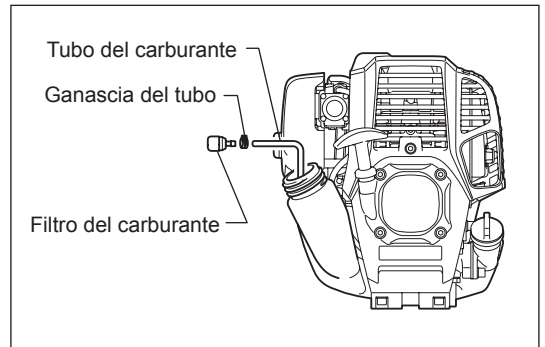
### AVVERTENZA: DIVIETO DI UTILIZZO DI INFIAMMABILI

Controllare e pulire il filtro del carburante ogni mese oppure ogni 50 ore di utilizzo.

Controllare il filtro del carburante periodicamente. Per controllare il filtro del carburante, procedere come segue.

- (1) Rimuovere il tappo del serbatoio e svuotare il carburante. Controllare che nel serbatoio non vi siano corpi estranei. Eventualmente rimuoverli.
- (2) Servendosi di un gancio metallico, estrarre la testina di aspirazione attraverso l'apertura.
- (3) Se il filtro del carburante è ostruito, pulirlo. Per pulirlo, scuoterlo delicatamente e picchiettare per far uscire il carburante. Per evitare di danneggiarlo, non strizzare o strofinare il filtro. La benzina usata per la pulizia deve essere smaltita in accordo alle legislazioni vigenti nel proprio paese.  
Sostituire il filtro del carburante indurito o pesantemente ostruito.
- (4) Dopo l'ispezione, la pulizia o la sostituzione, spingere il filtro del carburante a fondo nel serbatoio.

I filtri ostruiti o danneggiati possono causare un afflusso insufficiente di carburante al motore, riducendone la potenza. Sostituire il filtro del carburante con una frequenza almeno trimestrale, in modo da garantire un'erogazione costante di carburante al carburatore.



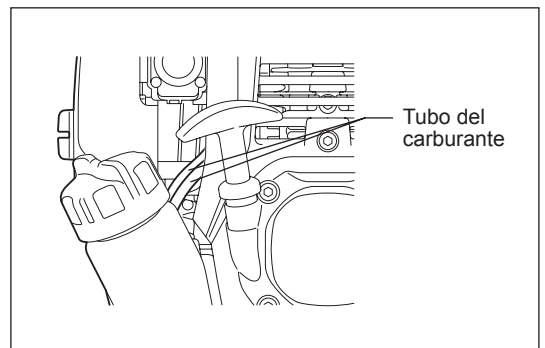
## Sostituzione del tubo del carburante

### ATTENZIONE: Divieto di utilizzo di infiammabili

Controllare e pulire il tubo del carburante ogni giorno oppure ogni 10 ore di utilizzo.

Sostituire il tubo del carburante ogni 200 ore di utilizzo oppure una volta all'anno, a prescindere dalla frequenza di utilizzo. In caso contrario, le perdite di carburante potrebbero provocare incendi.

Se vengono rilevate perdite durante l'ispezione, sostituire immediatamente il tubo del carburante.



## ISPEZIONE DI BULLONI, DADI E VITI

- Serrare bulloni, dadi e viti allentati.
- Verificare se vi sono perdite di carburante e olio.
- Sostituire le parti danneggiate per garantire la sicurezza.

## PULIZIA DEI COMPONENTI

- Tenere il motore pulito strofinando verso il basso con uno straccio di stoffa.
- Rimuovere costantemente la polvere e la sporcizia dalle alette del cilindro. La polvere o la sporcizia che aderisce alle alette può causare il grippaggio del pistone.

## SOSTITUZIONE DELLE GUARNIZIONI E DEI SIGILLANTI

Sostituire le guarnizioni e i sigillanti se il motore è smontato.

Per qualsiasi intervento di manutenzione o regolazione non descritto in questo manuale, rivolgersi al centro assistenza autorizzato DOLMAR di zona.

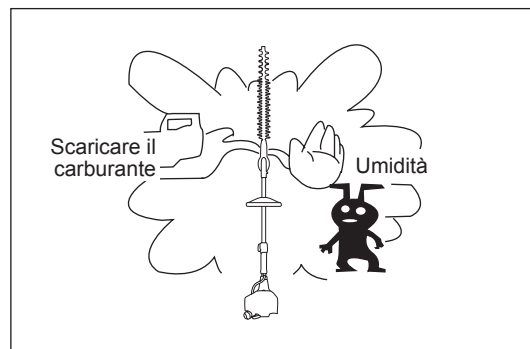
## STOCCAGGIO

**AVVERTENZA:** Quando si scarica il carburante, il motore deve essere spento e freddo.

La mancata osservanza delle istruzioni può causare fiamme e incendi.

**ATTENZIONE:** In caso di inutilizzo prolungato, scaricare tutto il carburante dal serbatoio e dal carburatore e conservare l'apparecchio in un ambiente pulito e asciutto.

- Scaricare il carburante dal serbatoio e dal carburatore attenendosi alla procedura riportata di seguito:
  - 1) Rimuovere il tappo del serbatoio del carburante e scaricare completamente il carburante.  
Se nel serbatoio rimangono materiali estranei, rimuoverli completamente.
  - 2) Estrarre il filtro del carburante dallo sportello di rabbocco utilizzando un filo.
  - 3) Premere la pompa di adescamento fino a scaricare tutto il carburante al suo interno, quindi scaricare il carburante penetrato nel serbatoio.
  - 4) Rimontare il filtro nel serbatoio del carburante e serrare il relativo tappo.
  - 5) Lasciare il motore in funzione fino all'arresto.
- Staccare la candela e lasciar cadere diverse gocce di olio motore nel foro della candela.
- Tirare delicatamente l'impugnatura di avviamento per far circolare l'olio nel motore, quindi inserire la candela.
- Fissare il coperchio alle lame da taglio.
- In linea generale, riporre l'apparecchio in posizione orizzontale. Se ciò non è possibile, posizionare l'apparecchio affinché l'unità motore sia sotto l'utensile da taglio. In caso contrario, l'olio motore potrebbe fuoriuscire dall'interno.
- Prestare sempre attenzione alla conservazione dell'apparecchio in un luogo sicuro per prevenire danni all'apparecchio e lesioni personali.
- Tenere il carburante scaricato in un contenitore speciale in una zona all'ombra ben aerata.



**Attenzione dopo una lunga conservazione**

- Prima dell'avviamento dopo una fase di inutilizzo prolungata è opportuno sostituire l'olio (vedere pag. 92). L'olio si deteriora anche se l'apparecchio resta inutilizzato.

Componente	Durata in esercizio	Prima dell'uso	Ogni giorno (10 ore)	25 ore	50 ore	200 ore	Spegnimento/riposo	P corrispondente
Olio motore	Controllare/pulire	○						83
	Sostituire				○*1			92
Serraggio dei componenti (bullone, dado)	Ispezionare	○						94
Serbatoio del carburante	Pulire/ispezionare	○						-
	Scaricare il carburante						○*3	95
Leva dell'acceleratore	Controllare il funzionamento	○						85
Interruttore di arresto	Controllare il funzionamento	○						85, 87
Lame da taglio	Ispezionare	○	○					85, 90
Rotazione a bassa velocità	Controllare/regolare		○					87
Filtro dell'aria	Pulire		○					93
Candela di accensione	Ispezionare		○					94
Condotto dell'aria di raffreddamento	Pulire/ispezionare		○					94
Tubo del carburante	Ispezionare		○					94
	Sostituire					⊙*2		-
Grasso della scatola degli ingranaggi	Rifornire			○				91
Filtro del carburante	Pulire/sostituire				○			94
Distanza tra la valvola di ingresso e la valvola di scarico dell'aria	Effettuare la regolazione					⊙*2		-
Surriscaldamento del motore						⊙*2		-
Carburatore	Scaricare il carburante						○*3	95

\*1 Eseguire la sostituzione iniziale dopo 20 ore di funzionamento.

\*2 Per l'ispezione dopo 200 ore di funzionamento rivolgersi a un rappresentante autorizzato dell'assistenza o a un'officina.

\*3 Dopo aver svuotato il serbatoio del carburante, lasciare il motore in funzione e drenare il carburante nel carburatore.



## RISOLUZIONE DEI PROBLEMI

Prima di richiedere una riparazione è opportuno individuare il problema autonomamente. Se viene rilevata un'anomalia, controllare l'apparecchio secondo la descrizione riportata nel presente manuale. Non smontare o manomettere le parti non indicate nella descrizione. Per le riparazioni rivolgersi all'agente autorizzato dell'assistenza o al rivenditore di zona.

Anomalia	Probabile causa (problema di funzionamento)	Soluzione
Il motore non si avvia	Impossibile usare la pompa di adescamento	Premere da 7 a 10 volte
	Velocità di tiraggio ridotta della corda di avviamento	Tirare con forza
	Mancanza di carburante	Rifornire di carburante
	Filtro del carburante intasato	Pulire
	Tubo del carburante rotto	Raddrizzare il tubo del carburante
	Carburante deteriorato	Il carburante deteriorato rende difficoltoso l'avviamento. Sostituire con carburante nuovo. (Sostituzione consigliata: 1 mese)
	Aspirazione eccessiva di carburante	Portare la leva dell'acceleratore dalla posizione di velocità media alla posizione di velocità alta e tirare l'impugnatura di avviamento fino ad avviare il motore. <b>Dopo l'avviamento del motore, le lame da taglio iniziano a muoversi. Prestare la massima attenzione alle lame da taglio.</b> Se il motore ancora non si avvia, staccare la candela, asciugare l'elettrodo e rimontarla come in origine. Quindi, procedere all'avviamento come specificato.
	Tappo della candela staccato	Fissarlo saldamente
	Candela contaminata	Pulire
	Distanza anomala della candela	Regolare la distanza
	Altra anomalia della candela	Sostituire
	Carburatore anomalo	Richiedere l'ispezione e la manutenzione.
	Impossibile tirare la corda di avviamento	Richiedere l'ispezione e la manutenzione.
Sistema di comando anomalo	Richiedere l'ispezione e la manutenzione.	
Il motore si arresta subito La velocità del motore non aumenta	Riscaldamento insufficiente	Eseguire l'operazione di riscaldamento
	La leva del dispositivo di avviamento è nella posizione "H" anche se il motore è stato riscaldato.	Metterla in posizione "III"
	Filtro del carburante intasato	Pulizia o sostituzione
	Filtro dell'aria contaminato o intasato	Pulire
	Carburatore anomalo	Richiedere l'ispezione e la manutenzione.
Le lame da taglio non si muovono	Angolazione inadeguata dell'unità di taglio	Assicurarsi che il blocco dell'angolazione si innesti correttamente.
	Dado di serraggio delle lame da taglio allentato	Stringerlo con forza
	Rametti incastrati nelle lame da taglio.	Rimuovere i corpi estranei
	Sistema di comando anomalo	Richiedere l'ispezione e la manutenzione.
Spegnerne immediatamente il motore		
L'unità principale vibra in modo anomalo	Lame da taglio rotte, piegate o usurate	Sostituire le lame da taglio
	Dado di serraggio delle lame da taglio allentato	Stringerlo con forza
	Sistema di comando anomalo	Richiedere l'ispezione e la manutenzione.
Spegnerne immediatamente il motore		
Le lame da taglio non si fermano immediatamente	Rotazione al minimo elevata	Effettuare la regolazione
	Filo dell'acceleratore staccato	Fissarlo saldamente
	Sistema di comando anomalo	Richiedere l'ispezione e la manutenzione.
Spegnerne immediatamente il motore		
Il motore non si arresta	Connettore staccato	Fissarlo saldamente
	Impianto elettrico anomalo	Richiedere l'ispezione e la manutenzione.
Avviare il motore al minimo e portare la leva del dispositivo di avviamento nella posizione "H"		

Se il motore non si avvia dopo l'operazione di riscaldamento:  
Se non vengono rilevate anomalie, aprire l'acceleratore di circa 1/3 e avviare il motore.

Hartelijk dank voor uw keuze voor deze stokheggenschaar van DOLMAR. Met trots bieden wij u een gereedschap aan dat het resultaat is van een uitgebreid ontwikkelingsprogramma en jarenlange kennis en ervaring.

Om de best mogelijke resultaten te behalen die uw stokheggenscharen van DOLMAR u kan bieden, leest u deze gebruiksaanwijzing zorgvuldig door alvorens het gereedschap te gebruiken, en volgt u alle instructies hierin op om verzekerd te zijn van een juiste werking van de stokheggenschaar van DOLMAR.



## Inhoud

## Pagina

Symbolen.....	98
Veiligheidsinstructies.....	99
Technische gegevens.....	104
Namen van onderdelen.....	105
Onderdelen aanbrengen.....	106
Schouderriem (optionele accessoire).....	106
Brandstof en bijvullen.....	107
Voorzorgsmaatregelen vóór het starten van de motor.....	109
De stokheggenschaar bedienen.....	112
Onderhoud.....	114
Opslag.....	119
Problemen oplossen.....	121

## SYMBOLEN

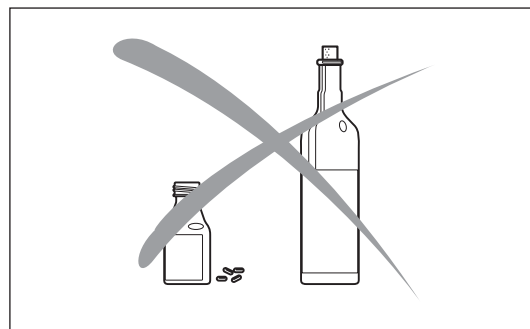
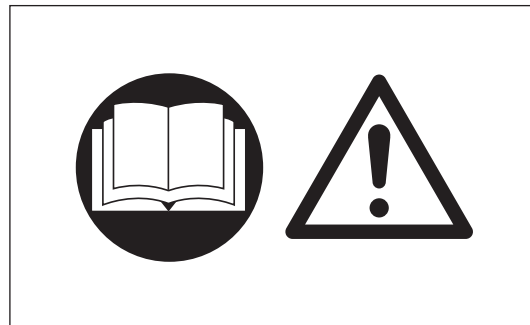
Let op de volgende symbolen tijdens het lezen in deze gebruiksaanwijzing.

	WAARSCHUWING/GEVAAR		Let goed op beknellen.
	Alvorens het gereedschap te gebruiken, dient u de instructies in deze gebruiksaanwijzing te lezen en volledig te begrijpen.		Let goed op hoogspanningsleidingen. Gevaar voor elektrische schokken.
	VERBODEN		Brandstof (benzine)
	Verboden te roken		Motor handmatig starten
	Geen open vuur		Noodstop
	Draag veiligheidsschoenen		EHBO
	Draag veiligheidshandschoenen		AAN/START
	Houd mensen en huisdieren weg van het werkgebied		UIT/STOP
	Draag een veiligheidshelm, oog- en gehoorbescherming		

# VEILIGHEIDSINSTRUCTIES

## Algemene instructies

- Lees deze gebruiksaanwijzing vóór gebruik zorgvuldig door en maak uzelf grondig bekend met hoe de stokheggenschaar correct gehanteerd dient te worden. **DIT GEREEDSCHAP KAN BIJ VERKEERD GEBRUIK ERNSTIG LETSEL VEROORZAKEN!**
- Wanneer het gereedschap aan een ander uitleent, geeft u altijd gedetailleerde instructies over het correct gebruik van de stokheggenschaar. Zorg ervoor dat de gebruiksaanwijzing wordt meegegeven met de stokheggenschaar.
- Onervaren gebruikers dienen de dealer te vragen om basisinstructies over hoe de stokheggenschaar correct gehanteerd dient te worden.
- Bewaar deze gebruiksaanwijzing op een plaats waar hij gemakkelijk gepakt kan worden voor snelle naslag.
- Laat personen onder de 18 jaar de stokheggenschaar niet gebruiken. Personen die ouder zijn dan 16 jaar mogen echter de stokheggenschaar gebruiken voor trainingsdoeleinden, mits onder constant toezicht staan van een volwassene die bekend is met het gebruik van de stokheggenschaar.
- Gebruik altijd de stokheggenschaar met de grootst mogelijke zorg en aandacht.
- Probeer nooit het gereedschap te wijzigen.
- Houd u aan de regelgeving zoals die in uw land geldt voor het hanteren van stokheggenscharen.
- Ernstig letsel kan het gevolg zijn als de stokheggenschaar wordt gebruikt onder de volgende omstandigheden. Gebruik de stokheggenschaar niet:
  - Als u zich vermoeid of ziek voelt.
  - Na gebruik van alcohol en/of medicijnen.
  - 's Nachts of onder slechte verlichtingsomstandigheden.
  - Tijdens zwangerschap.

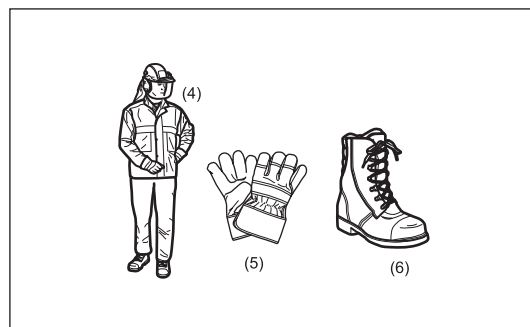
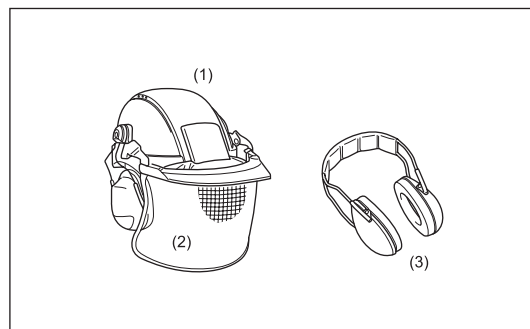


## Gebruiksdoeleinden

- Deze stokheggenschaar is uitsluitend bedoeld voor het snoeien van hagen en struiken. Gebruik de stokheggenschaar niet voor enig ander doel.

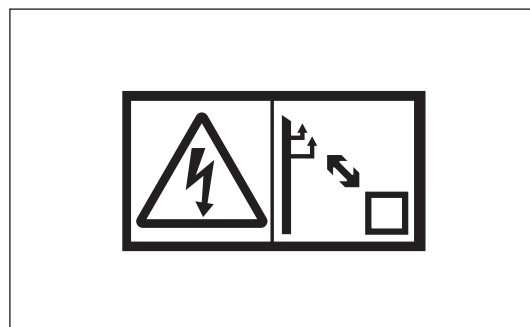
## Persoonlijke-veiligheidsuitrusting

- De kleding die gedragen wordt moet functioneel zijn en strak zitten zonder de beweging te hinderen. Draag geen kleding of sieraden die verstrikt kunnen raken in de ondergroei of het gereedschap.
- Voor een afdoende bescherming tegen letsel aan het hoofd, de ogen, de voeten en de handen, en tevens tegen gehoorbeschadiging, moet de volgende veiligheidsuitrusting en beschermende kleding worden gebruikt tijdens het werken met de stokheggenschaar.
- Ter voorkoming van letsel aan het hoofd of de ogen, draagt u altijd een veiligheidshelm (1) met veiligheidsbril of spatscherm (2).
- Om gehoorbeschadiging te voorkomen, draagt u altijd goede oorbeschermers (3).
- Het gebruik van een goed passende werkoverall (4) wordt sterk aanbevolen.
- Draag altijd stevige, lederen werkhandschoenen (5) tijdens het gebruik van de stokheggenschaar.
- Draag altijd stevige schoenen (6) met een antislipzool tijdens het gebruik van de stokheggenschaar. Speciale werkschoenen zorgen ervoor dat u stevig staat en beschermen tegen letsel.
- Trek veiligheidshandschoenen aan voordat u de messenbladen aanraakt. De messenbladen kunnen flinke snijwonden veroorzaken in blote handen.



## Veiligheid op de werkplek

- ⚠ **GEVAAR:** Houd de stokheggenschaar uit de buurt van hoogspanningsleidingen en communicatiekabels. Als u een hoogspanningsleiding nadert of aanraakt met de stokheggenschaar, kan dat leiden tot de dood of ernstig letsel. Kijk of er hoogspanningsleidingen of schrikdraadafrasteringen in de buurt van het werkgebied zijn voordat u met de werkzaamheden begint.
- Start en bedien de motor alleen buitenshuis op een goed geventileerde plaats. Gebruik in een gesloten ruimte of op een slecht geventileerde plaats kan leiden tot de dood als gevolg van verstikking of koolmonoxidevergiftiging.
- Houd tijdens gebruik omstanders, met name kinderen, en dieren ten minste 15 meter uit de buurt van de stokheggenschaar. Zet de motor uit zodra iemand dichterbij komt.
- Onderzoek het werkgebied op draadafrasteringen, stenen en andere massieve voorwerpen voordat u met de werkzaamheden begint. Zij kunnen de messenbladen beschadigen.
- ⚠ **WAARSCHUWING:** Het gebruik van dit gereedschap kan stof opwerpen waarin chemische bestanddelen kunnen zitten die ziekten aan de luchtwegen of andere ziekten kunnen veroorzaken. Enkele voorbeelden van deze chemische bestanddelen zijn verbindingen die gevonden worden in pesticiden, insecticiden en herbiciden. Het risico van deze blootstellingen varieert en hangt af van het feit hoe vaak u dit soort werkzaamheden uitvoert. Om blootstelling aan deze chemische bestanddelen te verminderen: moeten de werkzaamheden uitgevoerd worden in een goed geventileerde werkomgeving en gebruikmakend van goedgekeurd beschermende hulpmiddelen, zoals stofmaskers die ontworpen zijn om microscopisch kleine deeltjes te filteren.



## De stokheggenschaar starten

- Alvorens het gereedschap te monteren of af te stellen, zet u de motor uit en trekt u de bougiekap eraf.
- Alvorens de stokheggenschaar te starten, zorgt u er altijd voor dat het gereedschap op een veilige manier gebruiksklaar is.
- Probeer nooit de motor te starten als het gereedschap beschadigd is.
- Controleer de bediening van het veiligheidsmechanisme van de gashendel. De uit-vergrendelhendel moet soepel en gemakkelijk te bedienen zijn. Controleer of de uit-vergrendelhendel goed werkt. Controleer of de handgrepen schoon en droog zijn, en test de STOP-schakelaar om er zeker van te zijn dat deze goed werkt.

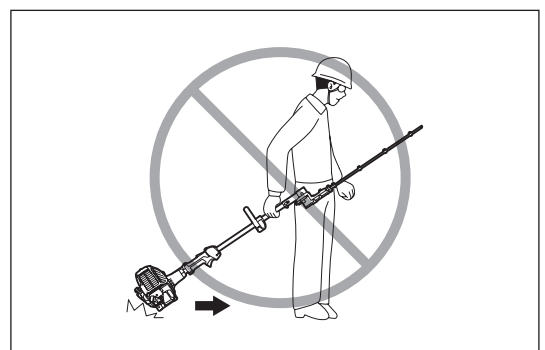
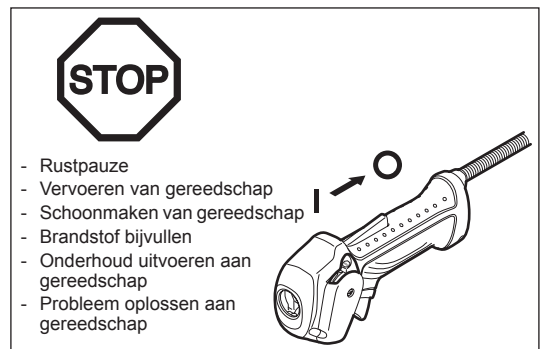
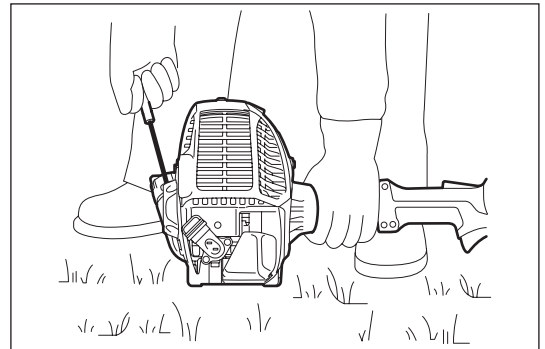
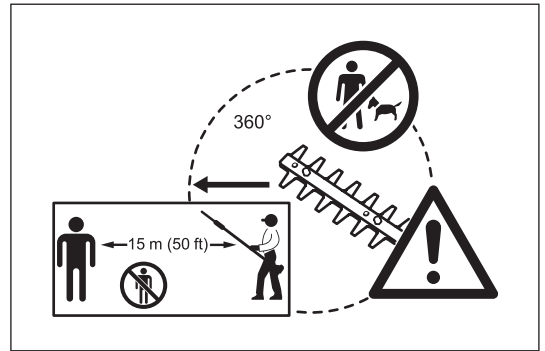
Start de stokheggenschaar altijd volgens de instructies die worden gegeven in deze gebruiksaanwijzing.

## Volg de onderstaande instructies om de stokheggenschaar te starten

- Start de stokheggenschaar alleen nadat het gereedschap volledig in elkaar is gezet en alle accessoires zijn bevestigd.
- Wanneer u de motor start, controleert u dat de messenbladen uw lichaam en andere voorwerpen, zoals de grond, niet raken. De messenbladen kunnen gaan bewegen bij het starten en kunnen ernstig letsel of schade veroorzaken aan de messenbladen en/of eigendommen.
- Alvorens de motor te starten, controleert u of de messenbladen niet worden gehinderd door vreemde voorwerpen, zoals stenen, takken, enz.
- Zet de motor onmiddellijk uit in het geval zich enig motorprobleem voordoet.
- Houd het gereedschap met uw linkerhand stevig tegen de grond gedrukt en trek aan de trekstarthandgreep. Ga nooit met uw voet op de aandrijfas staan.
- Als de messenbladen bij stationair toerental bewegen, zet u de motor uit en verlaagt u het stationair toerental.
- Houd tijdens het gebruik van de stokheggenschaar de beide handgrepen altijd stevig vast. Buig uw vingers strak rond elke handgreep, waarbij de handgreep tussen uw duim en wijsvinger ligt. Om de stokheggenschaar altijd onder controle te houden, verandert u uw grip op de handvaten niet tijdens het gebruik. Zorg ervoor dat de bedieningshendels zich in goede staat bevinden en er geen vocht, vuil, olie of vet op zit.

## Zorg er altijd voor dat u stevig staat met goede balans

- Zet de motor altijd onmiddellijk uit en stop het gebruik als zich motorproblemen voordoen of als het gereedschap een ongebruikelijk geluid begint te maken.
- Uitlaatgassen zijn giftig. Gebruik het gereedschap nooit in een gesloten vertrek of een tunnel zonder ventilatie (risico van verstikking en gasvergiftiging). Vergeet niet dat koolmonoxide een geurloos gas is. Zorg er altijd voor dat de plaatsen waar de motor wordt gebruikt goed worden geventileerd.
- Zet de motor uit tijdens rustpauzes en wanneer u de stokheggenschaar onbeheerd achterlaat. Leg het gereedschap op een veilige plaats en controleer dat er geen ontvlambaar materiaal in de buurt ligt.
- Leg een hete stokheggenschaar nooit op droog gras of ontvlambaar materiaal.
- Om brandgevaar te beperken moet u de motor en uitlaatdemper vrij houden van afval, bladeren en overtollig smeermiddel.
- Gebruik de motor nooit als de uitlaatdemper defect is.
- Zet de motor uit alvorens het gereedschap te vervoeren.
- Altijd de motor uitzetten tijdens:
  - Rustpauze
  - Vervoeren van gereedschap
  - Schoonmaken van gereedschap
  - Brandstof bijvullen
  - Onderhoud uitvoeren aan gereedschap
  - Probleem oplossen aan gereedschap
- Wanneer u het gereedschap draagt, draagt u het horizontaal door de schacht vast te pakken. Houd de hete uitlaatdemper uit de buurt van uw lichaam.
- Tijdens het vervoeren van het gereedschap in een voertuig, zet u de stokheggenschaar altijd goed vast om te voorkomen dat er restbrandstof uit lekt.
- Maak de brandstoftank altijd leeg voordat u de stokheggenschaar in een voertuig vervoert.
- Bij het uitladen van het gereedschap uit een voertuig, let u er goed op de stokheggenschaar niet op de grond te laten vallen omdat hierdoor de brandstoftank ernstig beschadigd kan raken.
- Behalve in een noodgeval mag u de stokheggenschaar nooit laten vallen omdat hierdoor het gereedschap ernstig kan worden beschadigd.
- Bij het vervoeren van de stokheggenschaar tilt u hem altijd volledig van de grond af. Sleep de motor nooit over de grond omdat hierdoor de brandstoftank beschadigd kan raken en mogelijk brand kan ontstaan.
- Gebruik altijd de bijgeleverde schede om de messenbladen van de stokheggenschaar te beschermen tijdens het vervoeren en bewaren.
- Nadat tegen het gereedschap is gestoten of het is gevallen, controleert u de conditie van het gereedschap voordat u de werkzaamheden hervat. Controleer het brandstofsysteem op brandstoflekkage, en de bedieningselementen en veiligheidsvoorzieningen op een juiste werking. Als enige beschadiging zichtbaar is of u twijfelt, vraagt u ons erkende servicecentrum om inspectie en reparatie.



## Brandstof bijvullen

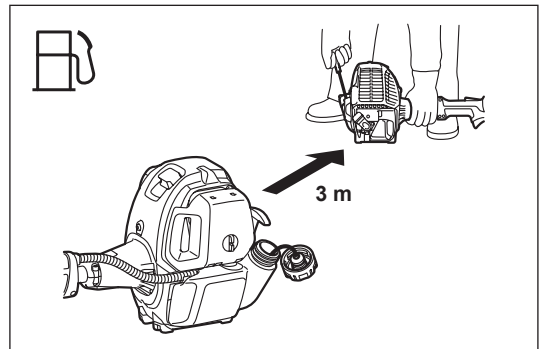
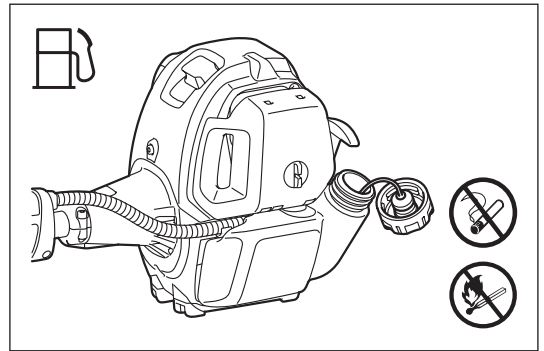
- Alvorens brandstof bij te vullen, zet de motor uit.
- Vul nooit brandstof bij in de buurt van open vuur.
- Tijdens het bijvullen van brandstof mag u niet roken.
- Laat de motor altijd voldoende afkoelen voordat u brandstof bijvult.
- Let erop dat uw huid niet in aanraking komt met petroleumproducten. Adem geen benzinedampen in en draag altijd veiligheidshandschoenen tijdens het bijvullen van brandstof.

Zorg dat u de beschermende kleding regelmatig vervangt en reinigt.

- Let er goed op geen benzine of olie te morsen om bodemverontreiniging te voorkomen (milieubescherming). Als benzine of olie op de stokheggenschaar is gemorst, veegt u het oppervlak van de stokheggenschaar onmiddellijk af met een doek.
- Om spontaan ontbranden te voorkomen, laat u natte doeken eerst voldoende opdrogen voordat u ze weggooit in een geschikte, afgedekte afvalbak.
- Zorg ervoor dat brandstof niet in aanraking kan komen met uw kleding. Trek met brandstof verontreinigde kleding onmiddellijk uit (brandgevaar).
- Sluit de brandstoftank en draai de brandstofvuldop stevig vast. Voordat u de motor weer start, verplaatst u de stokheggenschaar naar een plek ten minste 3 meter verwijderd van de plek waar brandstof werd bijgevuld.
- Controleer de brandstofvuldop regelmatig om er zeker van te zijn dat de dop goed vastzit.
- Vul nooit brandstof bij in een gesloten vertrek. Brandstofdampen verzamelen zich vlak boven de vloer (explosiegevaar).
- Bewaar brandstof alleen in geschikte jerrycans, en zorg ervoor dat opgeslagen brandstof buiten bereik van kinderen is.

## Bediening

- In geval van nood zet u de motor onmiddellijk uit.
- Als u tijdens gebruik een ongebruikelijke situatie opmerkt (bijv. geluid, trillingen), zet u de motor uit. Gebruik de stokheggenschaar niet meer totdat de oorzaak is opgespoord en verholpen.
- De messenbladen blijven gedurende een korte tijd bewegen nadat de gashendel van de motor is losgelaten. Raak de messenbladen niet onmiddellijk aan.
- Probeer nooit de apparatuur met één hand te bedienen. Als u de controle over het gereedschap verliest, kan dat leiden tot ernstig of fataal letsel. Om de kans op snijwonden te verkleinen, houdt u uw handen en voeten uit de buurt van de messenbladen.
- Houd tijdens gebruik uw rechterhand lager dan schouderhoogte. Anders kunt u de controle over het gereedschap verliezen en kan letsel ontstaan.
- Stoot tijdens gebruik de messenbladen nooit tegen harde obstakels zoals stenen of metaal. Wees met name voorzichtig wanneer u een heg snoeit langs of tegen een draadafastering. Als u dicht bij de grond werkt, let u erop dat zand, vuil of stenen niet tussen de messenbladen komen.
- Als de messenbladen in aanraking komen met stenen of andere massieve voorwerpen, zet u de motor onmiddellijk uit, trekt u de bougiekap eraf en controleert u de messenbladen op beschadigingen. Vervang de messenbladen indien beschadigd.
- Raak de messenbladen nooit aan en benader de messenbladen niet terwijl deze bewegen. De messenbladen kunnen gemakkelijk in uw vinger snijden. Wanneer u de messenbladen wilt hanteren of benaderen, zet u de motor uit en trekt u de bougiekap eraf.
- Als dikke takken klem zitten tussen de messenbladen, zet u de motor onmiddellijk uit, legt u de stokheggenschaar op de grond, trekt u de bougiekap eraf, en verwijdert u het obstakel. Controleer de messenbladen op beschadigingen voordat u het gereedschap weer gebruikt.
- Door het motortoerental te verhogen terwijl de messenbladen vast zitten, wordt de belasting hoger en kan de motor en/of koppeling worden beschadigd.
- Controleer de messenbladen tijdens bedrijf veelvuldig op barsten of botte snijranden. Voordat u inspecteert, zet u de motor uit en wacht u tot de messenbladen volledig tot stilstand zijn gekomen. Vervang beschadigde of botte messenbladen onmiddellijk, ook wanneer ze slechts oppervlakkige barsten vertonen.
- Raak het tandwielhuis niet aan. Het tandwielhuis wordt tijdens gebruik erg warm.
- Neem een pauze om te voorkomen dat u door vermoeidheid de controle over het gereedschap verliest. Wij adviseren u ieder uur 10 tot 20 minuten te rusten.
- Knijp eerst de gashendel helemaal in en wacht tot het maximumtoerental is bereikt voordat u begint te snoeien.
- Houd de stokheggenschaar tijdens gebruik altijd met beide handen vast.
- Gebruik de stokheggenschaar alleen bij goede verlichting en zicht. Let in de winter op gladde en natte plekken (ijs en sneeuw) wegens gevaar voor uitglijden, en zorg er altijd voor dat u stevig staat.
- Gebruik de stokheggenschaar nooit terwijl u op een onstabiele ondergrond of een steile helling staat.
- Gebruik de stokheggenschaar nooit terwijl u op een ladder staat.
- Klim nooit in een boom om de stokheggenschaar te gebruiken vanuit de boom.
- Om te voorkomen dat u struikelt of over voorwerpen valt, mag u nooit achteruit lopen tijdens het gebruik van de stokheggenschaar.
- Zet de motor altijd uit voordat u het gereedschap schoonmaakt of onderhoudt. Vervang ook geen onderdelen voordat de motor is uitgezet.
- Bedien de stokheggenschaar niet wanneer de messenbladen zijn beschadigd of versleten.



## Trillingen

- Personen met een slechte bloedsomloop die worden blootgesteld aan sterke trillingen, kunnen verwondingen aan bloedvaten of het zenuwstelsel oplopen. Trillingen kunnen de volgende symptomen veroorzaken in de vingers, handen of polsen: "slapen" (ongevoeligheid), tintelingen, pijn, stekend gevoel, veranderen van huidskleur of van de huid. Als een van deze symptomen zich voordoet, raadpleegt u een dokter!
- Om de kans op deze "witte-vingerziekte" te verkleinen, houdt u uw handen warm tijdens het werk en onderhoudt u het gereedschap en de accessoires goed.

## Onderhoudsinstructies

- Laat uw gereedschap onderhouden door ons erkende servicecentrum dat altijd uitsluitend gebruikmaakt van originele vervangingsonderdelen. Onjuiste reparatie en slecht onderhoud kan de levensduur van het gereedschap verkorten en de kans op ongevallen vergroten.
- Doe tijdens gebruik van de stokheggenschaar altijd uw uiterste best om de verontreiniging en geluidsproductie zo laag mogelijk te houden. Let met name goed op een juiste afstelling van de carburateur.
- Maak de stokheggenschaar regelmatig schoon en controleer regelmatig of alle bouten en moeren stevig zijn vastgedraaid.
- Onderhoud of bewaar de stokheggenschaar nooit in de buurt van open vuur, vonken, enz.
- Nooit verbogen of gebroken messenbladen repareren door rechtbuigen of lassen. Hierdoor kan een deel van de messenbladen afbreken en ernstig letsel veroorzaken. Neem contact op met een erkend DOLMAR-servicecentrum om de messenbladen te vervangen door originele messenbladen van DOLMAR.
- Om verdere schade en/of persoonlijk letsel te voorkomen, mag u een defecte stokheggenschaar niet repareren als u niet vakbekwaam bent dit te doen. Neem voor reparaties altijd contact op met een erkend servicecentrum.

Probeer niet de stokheggenschaar te wijzigen of van vorm te veranderen omdat dit de gebruiksveiligheid in gevaar kan brengen.

De onderhoudswerkzaamheden die door de gebruiker kunnen worden uitgevoerd zijn beperkt tot de handelingen die in deze gebruiksaanwijzing worden beschreven. Alle andere procedures moeten worden uitgevoerd door een erkend servicecentrum.

Verzoek regelmatig een erkend DOLMAR-servicecentrum om de stokheggenschaar te inspecteren en onderhouden.

Gebruik uitsluitend originele onderdelen en accessoires die zijn geleverd door DOLMAR via een erkende servicecentra.

Het gebruik van niet-goedgekeurde accessoires en gereedschappen kan de kans op ongevallen en letsel vergroten. DOLMAR accepteert geen enkele aansprakelijkheid voor ongevallen of schade die voortvloeien uit het gebruik van niet-goedgekeurde accessoires en onderdelen.

## Opslag

- Alvorens het gereedschap op te slaan, voert u alle reinigings- en onderhoudswerkzaamheden uit. Plaats de schede over de messenbladen.
- Maak de brandstoftank leeg alvorens de stokheggenschaar op te slaan in een goed geventileerde ruimte. Zorg ervoor dat de stokheggenschaar altijd buiten het bereik van kinderen is.
- Laat het gereedschap nooit ergens tegenaan leunen, zoals tegen een muur. Anders kan de stokheggenschaar plotseling omvallen en letsel veroorzaken.

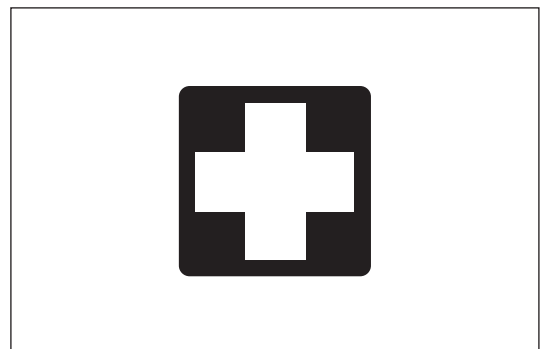
## EHBO

Als voorzorgsmaatregel voor het geval zich een ongeval voordoet, zorgt u ervoor dat een volledig uitgeruste EHBO-dooi voorhanden is.

Vervang zo snel mogelijk elk item dat uit de EHBO-dooi is genomen.

## Geef de volgende informatie wanneer u in geval van nood om hulp vraagt:

- Plaats van het ongeval
- Beschrijving van het ongeval
- Aantal gewonde mensen
- Ernst van de verwondingen
- Uw naam



**Alleen voor Europese landen**

**EU-verklaring van conformiteit**

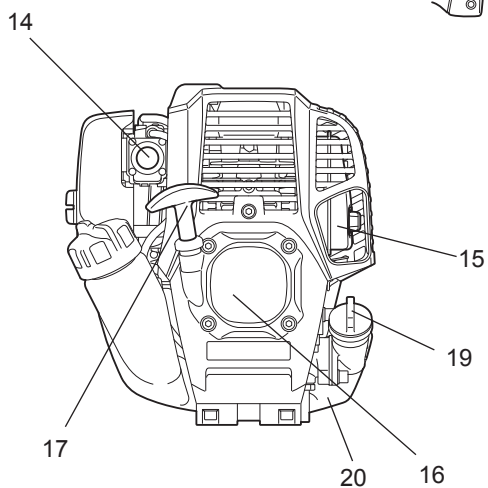
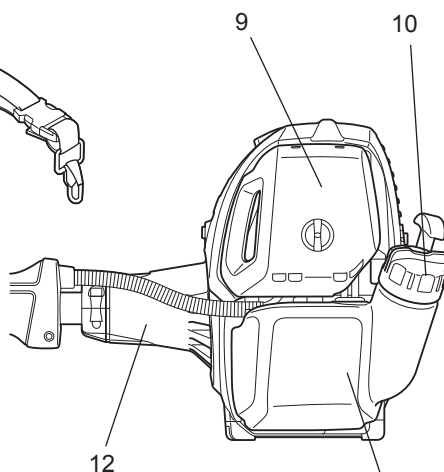
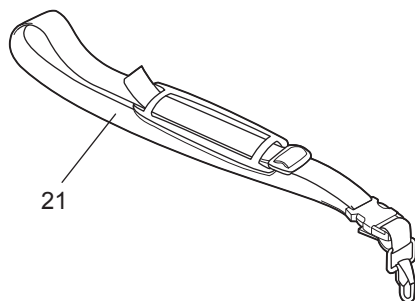
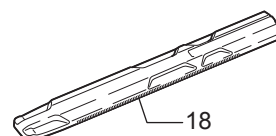
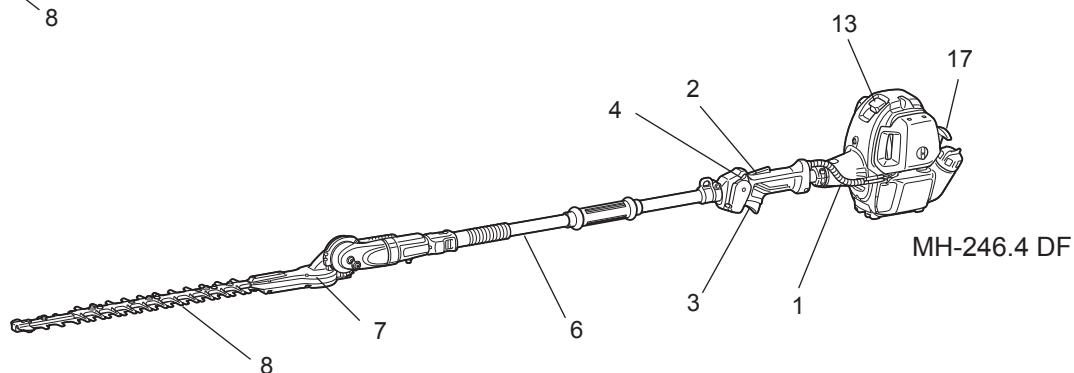
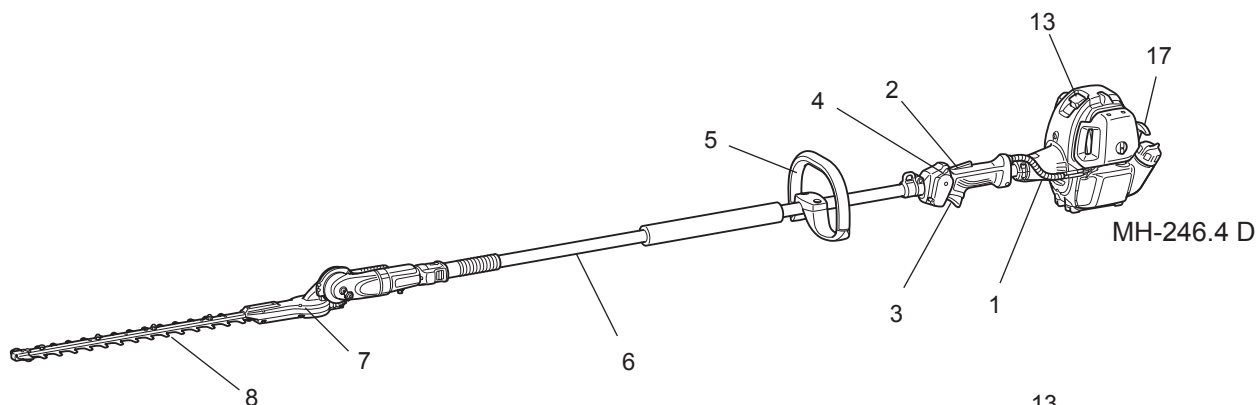
De EU-verklaring van conformiteit is opgenomen als Bijlage A in deze instructiehandleiding.

## TECHNISCHE GEGEVENS

Model	MH-246.4 D		MH-246.4 DF	
	Beugelhandgreep		Rechte handgreep	
Afmetingen (l x b x h)	2.550 mm x 242 mm x 241 mm		2.050 mm x 221 mm x 241 mm	
Nettogewicht	6,9 kg		6,6 kg	
Volume (brandstoftank)	0,6 liter			
Lengte van messenbladen	490 mm			
Maximale takdikte	7 mm			
Snijbewegingen	4.200 min <sup>-1</sup>			
Motortype	Luchtgekoeld, viertakt, éencilinder			
Cilinderinhoud	25,4 cm <sup>3</sup>			
Maximaal motorvermogen	0,77 kW bij 7.000 min <sup>-1</sup>			
Motortoerental bij aanbevolen maximaal astoerental	10.000 min <sup>-1</sup>			
Brandstofverbruik	0,33 kg/h			
Specifiek brandstofverbruik	408 g/kWh			
Stationair toerental	3.000 min <sup>-1</sup>			
Toerental op aangrijppunt van koppeling	4.400 min <sup>-1</sup>			
Carburateur (membraancarburateur)	Membraantype			
Bougie type	NGK CMR4A			
Elektrodenafstand	0,7 - 0,8 mm			
		Trillingen volgens ISO 10517	Trillingen volgens ISO 10517	
Rechterhandgreep (achterhandgreep)	a <sub>nv eq</sub>	8,5 m/s <sup>2</sup>	7,0 m/s <sup>2</sup>	
	Onzekerheid (K)	1,3 m/s <sup>2</sup>	3,1 m/s <sup>2</sup>	
Linkerhandgreep (voorhandgreep)	a <sub>nv eq</sub>	6,4 m/s <sup>2</sup>	5,1 m/s <sup>2</sup>	
	Onzekerheid (K)	2,6 m/s <sup>2</sup>	1,5 m/s <sup>2</sup>	
		Geluid volgens ISO 10517	Geluid volgens ISO 10517	
Geluidsdrukniveau	90 dB (A)		90,2 dB (A)	
Onzekerheid (K)	1,8 dB (A)		1,0 dB (A)	
Geluidsvermogeniveau	103,0 dB (A)		104,1 dB (A)	
Onzekerheid (K)	1,0 dB (A)		0,4 dB (A)	
Brandstof	Benzine voor auto's			
Motorolie	Olie van API-classificatie SF-klasse of beter, of olie SAE 10W-30 (4-taktmotorolie voor auto's)			
Overbrengingsverhouding van tandwielen	1/4,78			



## NAMEN VAN ONDERDELEN



Namen van onderdelen	
1	Gaskabel
2	Uit-vergrendelknop
3	Gashendel
4	I-O-schakelaar
5	Handgreep
6	Schacht
7	Tandwielhuis
8	Messenbladen
9	Luchtfilter
10	Brandstofvuldop
11	Brandstoftank
12	Koppelingshuis
13	Bougiekap
14	Brandstofhandpomp
15	Uitlaatdemper
16	Trekstartinrichting
17	Trekstarthandgreep
18	Schede
19	Olievuldop
20	Olietank
21	Schouderriem (los verkrijgbaar)

## ONDERDELEN AANBRENGEN

### ⚠ WAARSCHUWING:

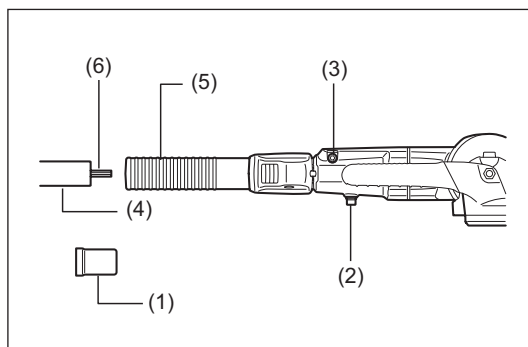
- Controleer dat de motor uit staat en trek de bougiekap eraf voordat u de stokheggenschaar monteert.
- Draag veiligheidshandschoenen!
- Plaats de bijgeleverde schede over de messenbladen wanneer u deze aan de stok monteert.

1. Verwijder de dop (1) vanaf de schacht.
2. Draai de bout M5 x 16 (2) en de bout M5 x 25 (3) los.
3. Steek de schacht (4) in de afdekking (5).

OPMERKING: Zorg ervoor dat de schacht volledig in de afdekking wordt gestoken (ong. 237 mm/9-3/8").

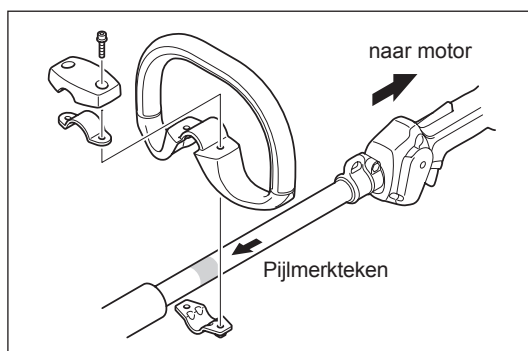
Als u moeilijkheden ondervindt bij het insteken van de schacht, verdraait u de aandrijfvas (6) een klein stukje en probeert u het opnieuw.

4. Controleer of de schacht correct is ingestoken en draai daarna de bout M5 x 16 en de bout M5 x 25 vast.



### DE HANDGREEP BEVESTIGEN (voor MH-246.4 D)

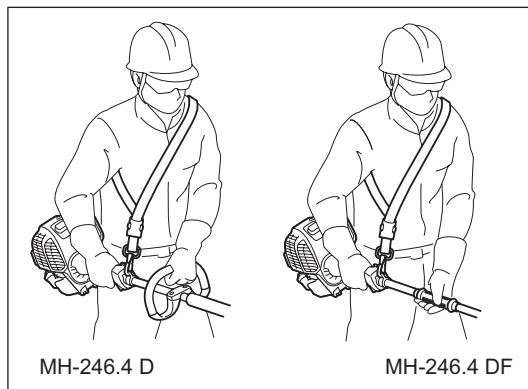
- Bevestig de beugelhandgreep aan de schacht zoals afgebeeld.
- Voor een goede afstand tussen de handgrepen, bevestigt u de beugelhandgreep vóór de pijlen.



## SCHOUDERRIEM (optionele accessoire)

### De schouderriem op de juiste wijze dragen

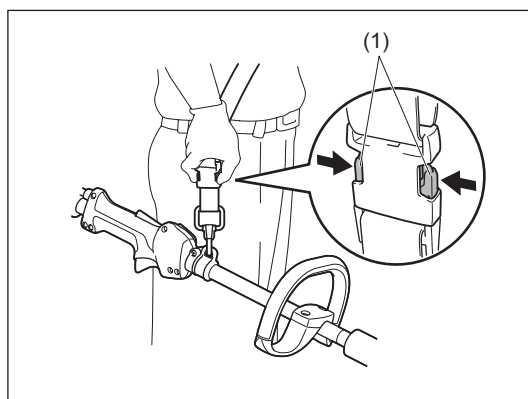
- Draag de schouderriem over uw linkerschouder.
- Houd de stokheggenschaar aan de rechterkant van uw lichaam.
- Bevestig de riem aan het bevestigingssoog op de stokheggenschaar en stel de lengte van de riem zodanig af dat een comfortabele werkhouding wordt verkregen.



### Losmaken

- In geval van nood, druk de knoppen (1) aan beide zijanten in zodat het gereedschap los komt van uw lichaam. Let er goed op dat u op dat moment de controle over het gereedschap behoudt. Zorg ervoor dat het gereedschap zich niet in uw richting of in de richting van iemand die in de buurt staat beweegt.

WAARSCHUWING: Als u geen complete controle over het gereedschap behoudt, kan dit ernstige lichamelijk letsels of de DOOD veroorzaken.



## VÓÓR HET BEGIN VAN HET WERK

### Controleren en bijvullen van de motorolie

- Voer de volgende procedure uit bij koude motor.
- Plaats de motor horizontaal, draai de olievuldop eraf (zie afb. 1) en controleer of het oliepeil tussen de inwendige randen voor de boven- en ondergrens van de oliebuis staat (zie afb. 2).
- Vul motorolie bij tot aan de markering van de bovengrens als er te weinig motorolie in zit (het oliepeil is dicht bij de ondergrens) (zie afb. 3).
- Het gebied tussen de markeringen op de buitenkant is doorzichtig zodat het oliepeil van buitenaf kan worden gecontroleerd zonder de olievuldop eraf te hoeven draaien. Echter, wanneer de oliebuis erg vuil is geworden, kan deze ondoorzichtig zijn en moet het oliepeil worden gecontroleerd aan de hand van de inwendige randen binnenin de oliebuis.
- Ter informatie, na ongeveer iedere 10 bedrijfsuren moet olie worden bijgevuld (na iedere 10 keer brandstof bijvullen). Als de olie door vuil van kleur is veranderd, ververs u de vuile olie door nieuwe. (Raadpleeg pagina 116 voor informatie over de verversingsinterval en verversingsprocedure.)

**Aanbevolen olie:** SAE 10W-30 olie van API-classificatie, SF-klasse of beter (4-taktmotorolie voor auto's)

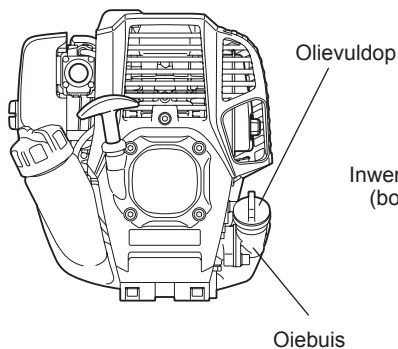
**Hoeveelheid olie:** Ongeveer 0,08 liter

**OPMERKING:** Als de motor niet horizontaal wordt gehouden, kan de olie binnenin de motor terechtkomen en te veel worden bijgevuld.

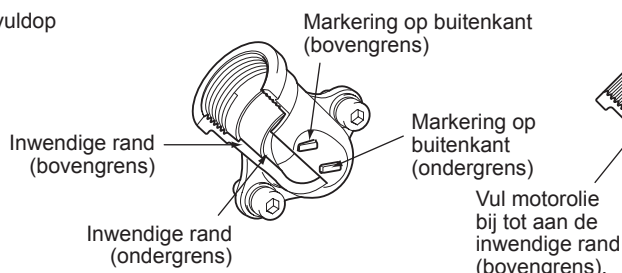
Als de olie tot boven het bovenste merkteken wordt bijgevuld, kan de olie gemorst worden en vlam vatten waarbij witte rook vrijkomt.

### Tip 1 bij het verversen van de olie: "Olievuldop"

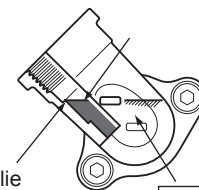
- Verwijder stof of vuil rondom de olievulopening en draai de olievuldop eraf.
- Zorg ervoor dat geen zand of stof op de olievuldop komt. Als dit toch gebeurt, kan het zand of stof dat aan de olievuldop kleeft leiden tot een onregelmatige oliecirculatie of slijtage van de motoronderdelen, waardoor storingen kunnen ontstaan.



Afb. 1



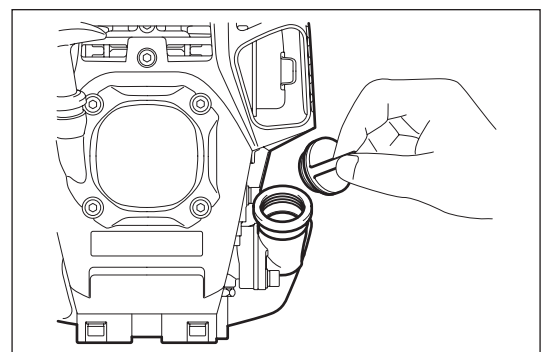
Afb. 2 Oliebuis



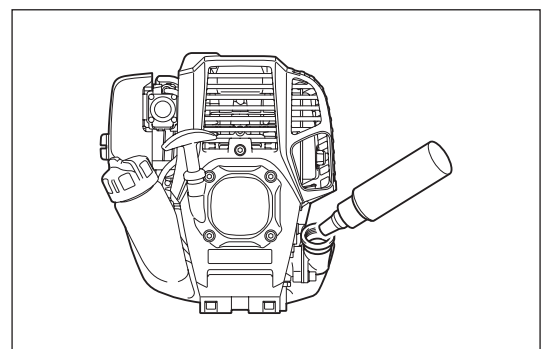
Afb. 3

Het gedeelte tussen de markeringen op de buitenkant voor de boven- en ondergrens is doorzichtig zodat u van buitenaf kunt controleren of het oliepeil tussen de markeringen staat.

- (1) Houd de motor horizontaal en draai de olievuldop eraf.



- (2) Vul motorolie bij tot aan de markering van de bovengrens (zie afb. 3). Gebruik voor het bijvullen een oliefles.



- (3) Draai de olievuldop stevig vast. Bij onvoldoende vastdraaien kan olie eruit lekken.

#### Opmerking

- Ververs de olie niet met de motor in een gekantelde positie.
- Als olie wordt bijgevuld terwijl de motor is gekanteld, kan te veel olie worden bijgevuld waardoor verontreiniging en/of witte rook wordt veroorzaakt.

#### Tip 2 bij het verversen van de olie: "Olielekkage"

- Als olie eruit lekt tussen de brandstoftank en het motorblok, wordt de olie via de koelluchtinlaatopening naar binnen gezogen waardoor de motor verontreinigd raakt. Veeg gelekte olie af voordat u met het werk begint.

## BRANDSTOF BIJVULLEN

### Omgaan met brandstof

Het is noodzakelijk uiterst voorzichtig om te gaan met brandstof. Brandstof kan stoffen bevatten die ook in oplosmiddelen voorkomen. Het bijvullen van brandstof moet gebeuren in een vertrek met een voldoende goede ventilatie of in de open lucht. Adem nooit brandstofdampen in en houd afstand tot de brandstof. Als uw huid herhaaldelijk in aanraking komt met brandstof gedurende een lange tijd, wordt uw huid droog, waardoor een huidziekte of allergie kan ontstaan. Als brandstof in uw oog komt, spoelt u uw oog uit met schoon water. Als uw oog daarna blijft irriteren, raadpleegt u een dokter.

### Bewaartermijn van brandstof

Brandstof dient binnen een periode van 4 weken te worden gebruikt, ook wanneer de brandstof wordt bewaard in een speciale jerrycan op een goed geventileerde en schaduwrijke plaats.

Anders kan de brandstof binnen één dag verslechteren.

### OPSLAG VAN HET GEREEDSCHAP EN DE JERRYCAN

- Bewaar het gereedschap en de jerrycan op een koele plaats uit direct zonlicht.
- Bewaar brandstof nooit in een auto.

### Brandstof

De motor is een viertaktmotor. Gebruik uitsluitend loodvrije benzine voor auto's met een octaangehalte van 87 of hoger ((R+M)/2). De benzine mag niet meer dan 10% alcohol bevatten (E-10).

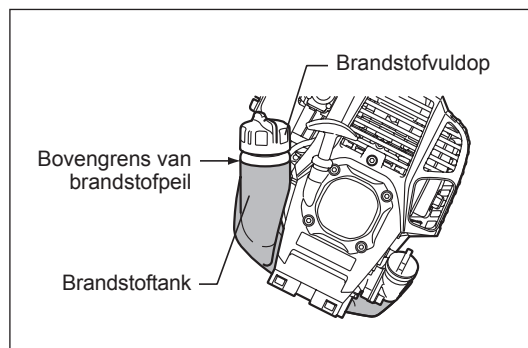
### Tips voor het omgaan met brandstof

- Gebruik nooit mengsmering, waarin motorolie zit. Als u dat doet, zal buitensporige koolafzetting of mechanische storing optreden.
- Als verslechterde olie wordt gebruikt, zal dat leiden tot onregelmatig starten.

### Brandstof bijvullen

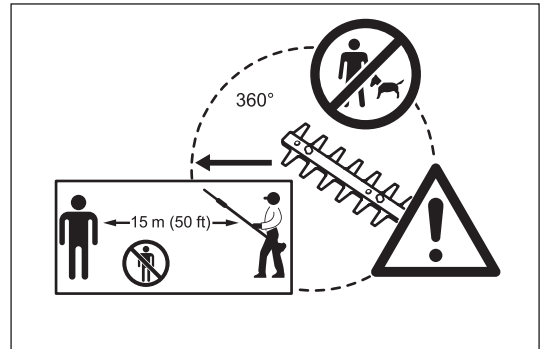
#### WAARSCHUWING: STRENG VERBODEN VOOR ONTBRANDBARE MATERIALEN

- Draai de brandstofvuldop een klein stukje los en de druk in de brandstoftank af te laten.
  - Draai de brandstofvuldop eraf, vul brandstof bij en laat de lucht uit de brandstoftank stromen door de brandstoftank iets te kantelen zodat de brandstofvulopening recht omhoog wijst. (NIET bijvullen tot in de vulopening van de brandstoftank.)
  - Veeg rondom de brandstofvuldop goed schoon om te voorkomen dat vreemde stoffen in de brandstoftank kunnen vallen.
  - Na het bijvullen van brandstof draait u de brandstofvuldop weer stevig vast.
- Als enige onvolkomenheid of schade aan de brandstofvuldop wordt geconstateerd, moet deze worden vervangen.
  - De brandstofvuldop is na verloop van tijd versleten. Vervang de brandstofvuldop iedere twee of drie jaar.



## VOORZORGSMAATREGELEN VÓÓR HET STARTEN VAN DE MOTOR

- Bewaar altijd een veiligheidszone met een diameter van 15 meter rondom het werkgebied. Zorg ervoor dat iedereen (maar met name kinderen) en/of dieren buiten deze zone blijven.
- Alvorens de stokheggenschaar te gebruiken, zorgt u ervoor dat het gereedschap op een veilige manier gebruiksklaar is. Controleer dat de messenbladen niet beschadigd zijn en dat de gashendel gemakkelijk werkt. Controleer dat de messenbladen niet bewegen wanneer de motor stationair draait. Als het gereedschap niet normaal werkt, neemt u contact op met uw dealer om de machine te laten afstellen. Zorg ervoor dat de handgrepen schoon en droog zijn, en test of de I-O-schakelaar goed werkt. Start de motor uitsluitend overeenkomstig de instructies beschreven in deze gebruiksaanwijzing. Gebruik geen andere methode om de motor van de stokheggenschaar te starten.
- Start de motor van de stokheggenschaar alleen nadat u de instructies hebt gelezen en volledig begrijpt. Probeer nooit de motor van een stokheggenschaar te starten als de stokheggenschaar niet volledig gemonteerd is. Anders kan ernstig letsel worden veroorzaakt.
- Controleer voordat u de motor start dat de messenbladen niet worden gehinderd door stenen, takken of andere massieve voorwerpen.
- Controleer het werkgebied op draad, snoer, glas en andere vreemde voorwerpen die verstrikt kunnen raken in de messenbladen.
- Elektrische schokken: let op alle elektriciteitsleidingen in de omgeving. Alvorens de werkzaamheden te starten, controleert u het hele werkgebied op de aanwezigheid van elektriciteitsleidingen en elektrische afasteringen.



### TIPS VOOR GEBRUIK EN PROCEDURE VOOR STOPPEN

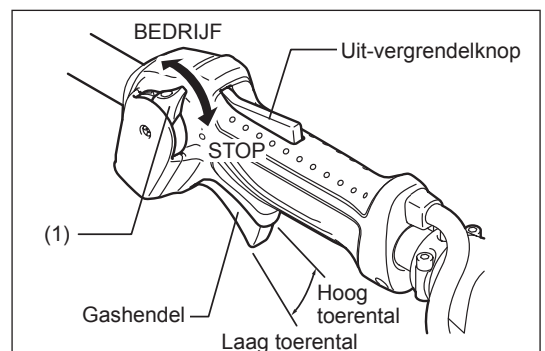
Volg de toepasselijke voorschriften voor ongevallenpreventie!

#### STARTEN

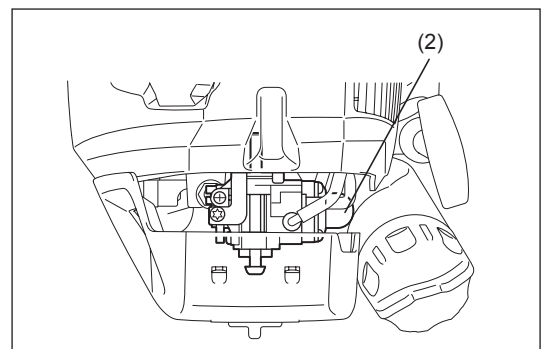
Houd ten minste 3 meter afstand tot de plaats waar brandstof is bijgevoerd. Plaats de stokheggenschaar op een schoon stuk grond en zorg ervoor dat de messenbladen de grond of andere voorwerpen niet raken.

#### A: Startprocedure bij koude motor

- 1) Plaats het gereedschap op een vlakke ondergrond.
- 2) Zet de I-O-schakelaar (1) in de stand **BEDRIJF**.



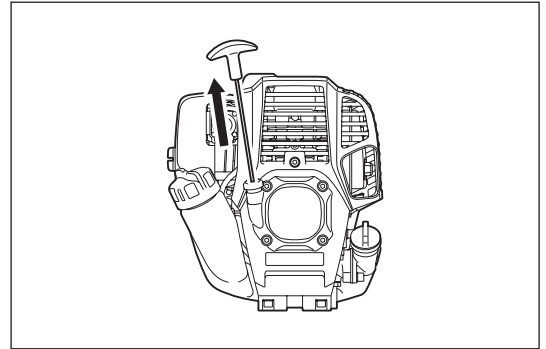
- 3) Brandstofhandpomp  
Blijf op de brandstofhandpomp (2) drukken tot de brandstof in de brandstofhandpomp stroomt. (Over het algemeen stroomt de brandstof in de brandstofhandpomp na 7 tot 10 keer duwen.) Als te vaak op de brandstofhandpomp wordt gedrukt, vloeit het overschot aan brandstof terug naar de brandstoftank.



- 4) Trekstartinrichting  
Trek voorzichtig aan de trekstarthandgreep tot u weerstand voelt (compressiepunt). Laat de trekstarthandgreep terugtrekken en trek er vervolgens krachtig aan. Trek nooit door tot aan het einde van het trekstartkoord. Nadat aan de trekstarthandgreep is getrokken, mag u hem niet onmiddellijk loslaten. Houd de trekstarthandgreep vast tot het trekstartkoord is opgewonden in de trekstartinrichting.

- 5) Opwarmen  
Laat de motor gedurende 2 tot 3 minuten opwarmen.

OPMERKING: In geval van een overmatige brandstoftoevoer, verwijdert u de bougie en trekt u langzaam aan de trekstarthandgreep om overtollige brandstof te verwijderen. Maak ook het elektrodengedeelte van de bougie droog.



#### B: Startprocedure bij warme motor

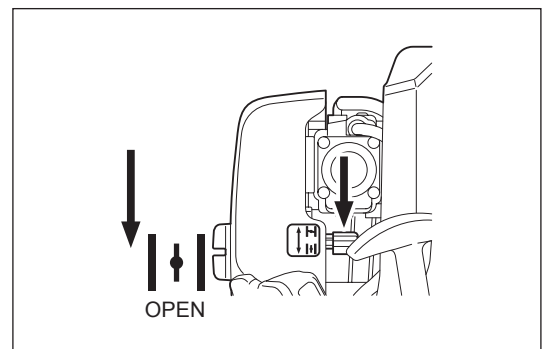
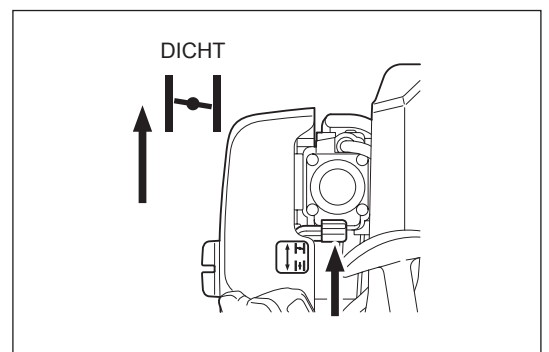
- 1) Blijf voorzichtig op de brandstofhandpomp drukken.
- 2) Laat de gashendel in de stand voor stationair draaien staan.
- 3) Trek krachtig aan de trekstarthandgreep.
- 4) Als de motor moeilijk te starten is, zet u de chokehendel ongeveer 1/3 open.  
Let goed op want de messenbladen kunnen gaan bewegen.

**Op bepaalde momenten, bijvoorbeeld in de winter, wanneer de motor moeilijk gestart kan worden, bedient u de chokehendel middels de volgende procedure om de motor te kunnen starten.**

- Nadat de stappen 1) tot en met 3) van de startprocedure zijn uitgevoerd, zet u de chokehendel in de stand DICHT.
- Voer stap 4) van de startprocedure uit en start de motor.
- Nadat de motor is gestart, zet u de chokehendel in de stand OPEN.
- Voer stap 5) van de startprocedure uit en voltooi het opwarmen.

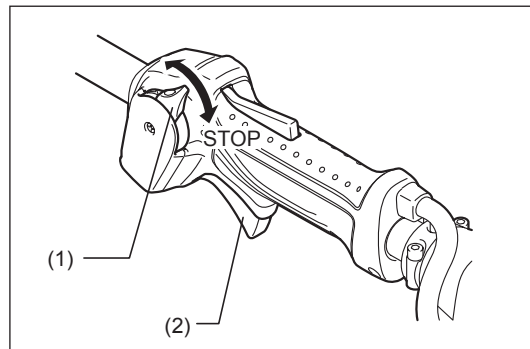
LET OP: Wanneer een dreun (geluid van een explosie) wordt gehoord en de motor afslaat, of de zojuist gestarte motor afslaat voordat de chokehendel wordt bediend, zet u de chokehendel terug in de stand OPEN, en trekt u weer enkele keren aan de trekstarthandgreep om de motor te starten.

LET OP: Als de chokehendel in de stand DICHT blijft staan en alleen enkele keren aan de trekstarthandgreep wordt getrokken, wordt te veel brandstof aangezogen en zal de motor moeilijk te starten zijn.



## STOP

- 1) Laat de gashendel (2) volledig los en, nadat het motortoerental is afgenomen, duw de I-O-schakelaar (1) naar de stand STOP om de motor uit te schakelen.
- 2) Bedenk dat het snijgarnituur wellicht niet onmiddellijk stopt en laat het volledig tot stilstand komen.

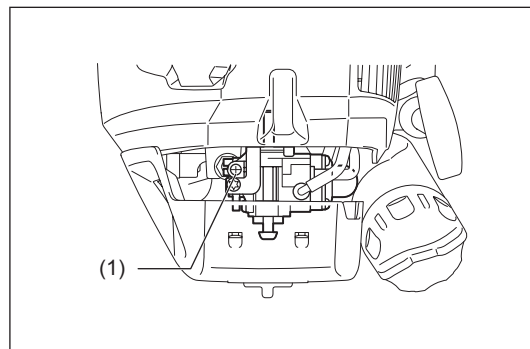


## HET LAAG TOERENTAL (VOOR STATIONAIR DRAAIEN) AFSTELLEN

Als het nodig is het laag toerental (voor stationair draaien) af te stellen, doet u dit met behulp van de stelschroef (1) op de carburateur.

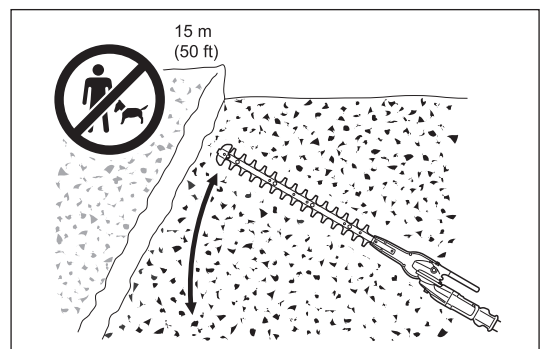
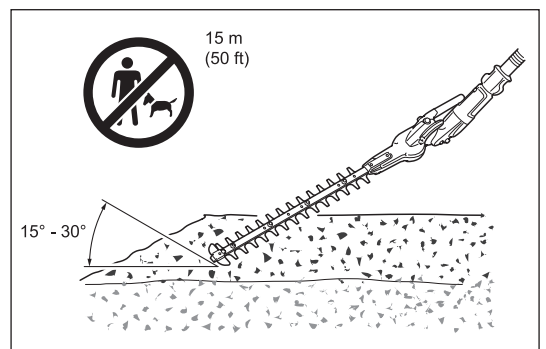
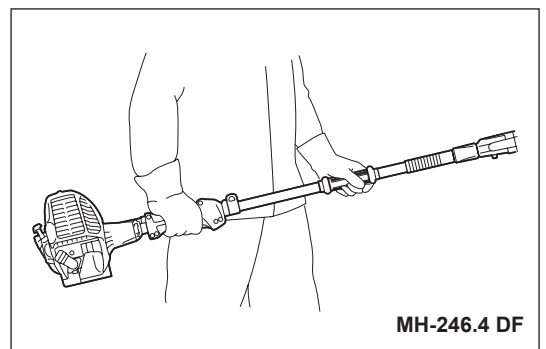
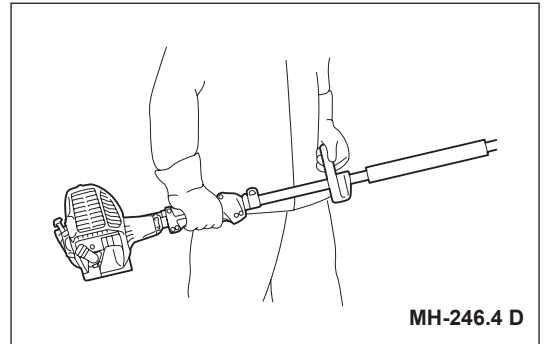
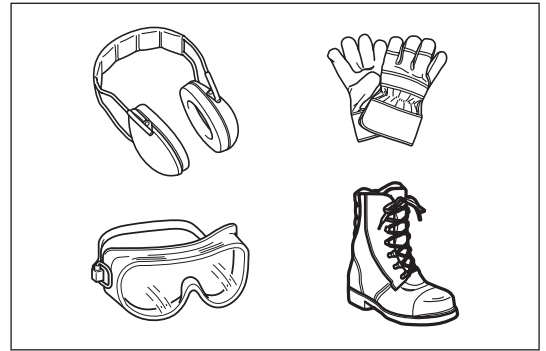
## HET LAAG TOERENTAL CONTROLEREN

- Stel het laag toerental in op 3.000 toeren per minuut (t/min).  
Als het nodig is het laag toerental af te stellen, draait u de stelschroef (1) met een kruiskopschroevendraaier.
- Draai de stelschroef rechtsom om het motortoerental te verhogen. Draai de stelschroef linksom om het motortoerental te verlagen.
- De carburator is over het algemeen goed afgesteld vóór aflevering aan de klant. Mocht het toch nodig zijn deze opnieuw af te stellen, neemt u contact op met een erkend servicecentrum.



## DE STOKHEGGENSCHAAR BEDIENEN

- Raak de messenbladen van de stokheggenschaar niet aan tijdens gebruik, of wanneer de motor draait.
- Let er goed op geen uitlaatgassen in te ademen tijdens het werken met de stokheggenschaar. Gebruik de stokheggenschaar nooit in een gesloten vertrek of op een plaats met onvoldoende ventilatie (risico van verstikking en gasvergiftiging). Vergeet niet dat koolmonoxide een geurloos gas is, wat betekent dat het niet kan worden opgemerkt door het reukzintuig.
- Draag altijd afdoende beschermende kleding voordat u de stokheggenschaar gaat gebruiken.
- Zet de motor onmiddellijk uit als de uitlaatdemper niet naar behoren werkt.
- Gebruik de stokheggenschaar alleen bij goede verlichting en zicht.
- Bedien de stokheggenschaar niet in het donker of in de mist. Let in de winter op gladde en natte plekken (ijs en sneeuw) wegens gevaar voor uitglijden, en zorg er altijd voor dat u stevig staat.
- Gebruik de stokheggenschaar nooit terwijl u op een onstabiele ondergrond of een steile helling staat.
- Gebruik de stokheggenschaar nooit terwijl u op een ladder staat.
- Klim nooit in een boom om de stokheggenschaar te gebruiken vanuit de boom.
- Controleer continu het werkgebied op draad, snoer, glas en andere vreemde voorwerpen die verstrikt kunnen raken in de messenbladen.
- Zorg ervoor dat de messenbladen snel bewegen voordat u begint te snoeien.
- Pak de stokheggenschaar altijd met beide handen vast en houdt hem stevig vast terwijl u ermee werkt.
- Om verzekerd te zijn van een optimale controle over de stokheggenschaar, buigt u altijd uw vingers strak rond de handgrepen (gebruik uw duim voor tegendruk) en houdt de handgrepen stevig vast.
- Merk op dat de messenbladen nog maximaal twee seconden blijven bewegen nadat de gashendel is losgelaten.
- Snoei niet met de stokheggenschaar op een laag motortoerental.
- De bewegingssnelheid van de messenbladen kan niet goed worden ingesteld met de gashendel terwijl de motor op een laag toerental draait.
- Om de bovenkant van een haag te snoeien, lijnt u eerst de messenbladen uit onder een hoek van 15° tot 30° in de snoeirichting en houdt u de stokheggenschaar in een horizontale stand. Begin vervolgens de haag te snoeien met een zwaaiende beweging, alsof u horizontale cirkels tekent met de schacht van de stokheggenschaar.
- Om de zijkant van een haag te snoeien, lijnt u de messenbladen uit zodat ze parallel zijn met het te snoeien oppervlak, en begint u te snoeien met halfronde (omlaag-omhoog) bewegingen.
- Wees voorzichtig wanneer u een haag snoeit die dichtbij of tegen een draadafrastering staat.
- Zorg ervoor dat de messenbladen geen harde voorwerpen raken, zoals een draadafrastering, een muur of de grond. Hierdoor kunnen de messenbladen barsten, schilferen of afbreken.
- Gebruik de stokheggenschaar niet continu gedurende een lange tijd. Als vuistregel geldt: neem na iedere 50 minuten werken een pauze van 10 tot 20 minuten.
- Als de messenbladen in aanraking komen met stenen of andere massieve voorwerpen, zet u de motor onmiddellijk uit en controleert u de messenbladen op beschadigingen. Vervang de messenbladen indien beschadigd.
- Als de stokheggenschaar tijdens gebruik problemen vertoont (vreemd geluid, trillen, enz.), zet u de motor onmiddellijk uit. Gebruik het gereedschap niet meer tot het probleem is gevonden en verholpen.
- Doe tijdens gebruik van de stokheggenschaar altijd uw uiterste best om de verontreiniging en geluidsproductie zo laag mogelijk te houden. Let met name goed op een juiste afstelling van de carburateur.
- Als dikke takken klem zitten tussen de messenbladen, zet u de motor onmiddellijk uit, legt u het gereedschap op de grond en verwijdert u het obstakel. Controleer de messenbladen op beschadigingen voordat u het gereedschap weer gebruikt.





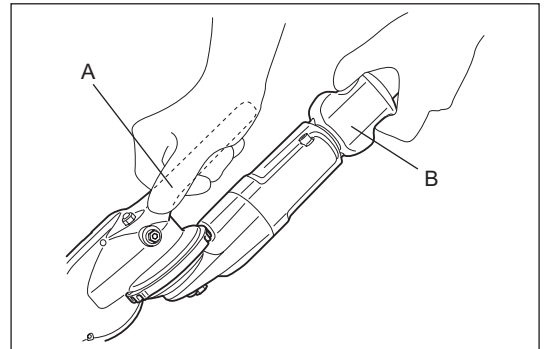
## De snoeihoek instellen

### Waarschuwing:

- Bedien het gereedschap niet met een loszittende en instabiele snoeieenheid.

U kunt de snoeihoek 45° omhoog en 90° omlaag verstellen.

1. Zet de motor van de stokheggenschaar uit en leg het gereedschap op de grond.
2. Om de hoek van de snoeieenheid in te stellen, houdt u de handgreep (A) op de snoeieenheid met één hand vast en houdt u de hoekvergrendeling (B) met de andere hand vast zoals afgebeeld.
3. Trek voorzichtig aan de hoekvergrendeling en verander de hoek van de snoeieenheid. Nadat de hoek is ingesteld, zet u de voorzichtig de hoekvergrendeling terug.



### Opmerking:

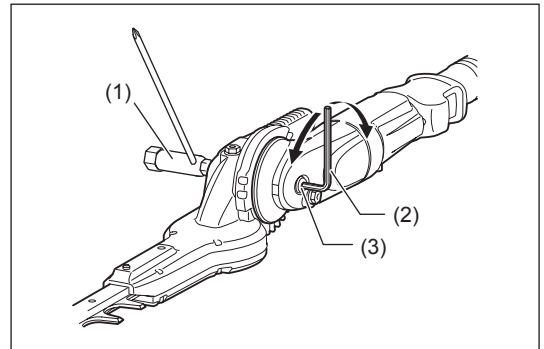
- De snoeieenheid kan alleen onder bepaalde hoeken worden vastgezet in de groeven op de snoeieenheid. Zorg ervoor dat de snoeieenheid correct is ingesteld. Als de hoek niet correct is, wordt de koppeling ontkoppeld en zal het gereedschap niet werken.
- De snoeihoek van de snoeieenheid mag niet worden ingesteld terwijl de stokheggenschaar rechtop staat.
- Zet de I-O-schakelaar in de stand "O" en leg de stokheggenschaar plat op de grond om de snoeihoek in te stellen.
- Bescherm de messenbladen altijd met de bijgeleverde schede voordat u de snoeihoek instelt.

In het geval de snoeieenheid los zit, moet de bout (de as van de hoekinstelling) worden vastgedraaid.

1. Plaats de dopsleutel (1) en de inbussleutel (2) op de bout (3).
2. Stel de strakheid van de snoeieenheid in door de inbussleutel te draaien, en draai daarna de bout vast door de dopsleutel te draaien.

### Opmerking:

- Zet de snoeieenheid niet te strak vast. De hoek van de snoeieenheid kan niet worden veranderd als hij te strak staat.



## ONDERHOUD

- Alvorens enige onderhoudswerkzaamheden uit te voeren aan de stokheggenschaar (messenbladen schoonmaken, enz.), zet u altijd de motor uit en wacht u tot de motor is afgekoeld. Als extra veiligheidsmaatregel trekt u tevens de bougiekap eraf.
- Probeer nooit verbogen of afgebroken messenbladen recht te buigen of te lassen. Beschadigde messenbladen moeten altijd worden vervangen.
- Zet de motor regelmatig uit om de messenbladen te controleren op mogelijke beschadiging (voer een tik-resonantietest uit om moeilijk waarneembare haarscheurtjes te detecteren). Zorgt ervoor dat de tanden van de messenbladen altijd scherp zijn.
- Maak de stokheggenschaar regelmatig schoon. Controleer tijdens het schoonmaken ook of alle bouten, moeren en schroeven goed vastzitten.
- Om de kans op brand te verkleinen, mag u de stokheggenschaar nooit onderhouden of bewaren in de buurt van open vuur.
- Draag altijd stevige veiligheidshandschoenen wanneer u de messenbladen hanteert.
- Neem contact op met uw dealer voor vervangende messenbladen.
- Gebruik voor het schoonmaken nooit benzine, wasbenzine, thinner, alcohol, enz. Dit kan leiden tot verkleuren, vervormen of barsten.

### De messenbladen slijpen

Als de messenbladen bot zijn geworden en de snoeiprestaties slecht zijn, laat u de messenbladen slijpen door een erkend servicecentrum.

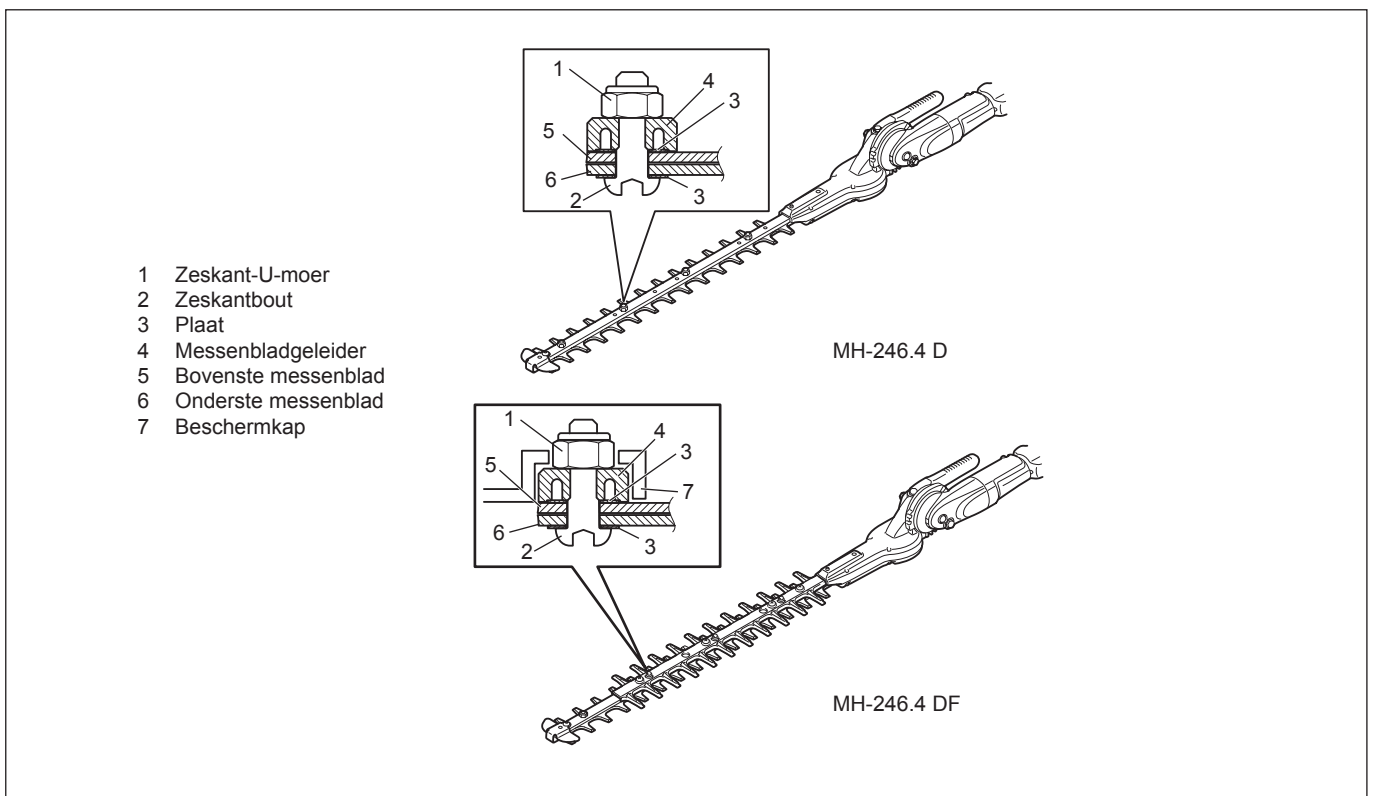
### De speling tussen de messenbladen instellen

De bovenste en onderste messenbladen verslijten geleidelijk door gebruik. Als schoon snoeien niet meer mogelijk is ondanks dat de messenbladen scherp genoeg zijn, stelt u de speling tussen de messenbladen als volgt in. De strakheid van de zeskantbout bepaalt de speling van de messenbladen. De moer houdt de zeskantbout met een bepaalde kracht vast. Een te losse speling veroorzaakt een stompe snede, maar een te strakke speling veroorzaakt onnodige warmte en sneller slijten van de messenbladen.

1. Draai de moer (1) los met een ring- of steeksleutel.
2. Draai de zeskantbout (2) licht vast met een inbussleutel totdat hij stopt. Draai hem daarna tussen een kwart en een halve slag terug om de benodigde speling te verkrijgen.
3. Draai de moer (1) vast terwijl u de zeskantbout (2) op zijn plaats houdt.
4. Breng lichte olie aan op de glijoppervlakken van de messenbladen.
5. Start de motor en knijp beurtelings de gashendel in en laat deze weer los gedurende een minuut.
6. Stop de motor en raak het oppervlak van de messenbladen aan. Als deze niet te heet zijn om aan te raken, is de afstelling correct. Als ze te heet zijn om aan te raken, draait u de zeskantbout (2) een klein stukje terug en herhaalt u de stappen 5 tot en met 6.

OPMERKING: Voordat u de afstelling maakt, zet u de motor uit en wacht u tot de messenbladen stilstaan.

In de messenbladen zit een gleuf rondom de zeskantbout (2). In het geval u stof ziet in het uiteinde van de gleuf, verwijdert u dit.

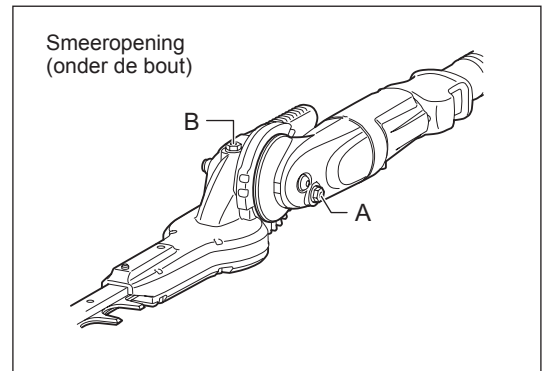


## Smeervet bijvullen

**Belangrijk: Controleer of het oppervlak van het tandwielhuis volledig koud is voordat u smeert.**

- Het tandwielhuis van de stokheggenschaar moet elke 25 bedrijfsuren worden gesmeerd. De smeeroening zit onder de bout. Verwijder de bout om te kunnen smeren. Vul ongeveer 3 gram (4 cc) smeervet bij in punt A van het tandwielhuis en vul ongeveer 5 gram (7 cc) smeervet bij in punt B via de bijbehorende smeeroening. Plaats na het smeren de bout terug. Nadat de juiste hoeveelheid vet is bijgevoerd, komt een klein beetje vet uit de voet van de messenbladen tijdens het eerste gebruik.

LET OP: Houd u aan het smeerinterval en de hoeveelheid smeervet die moet worden bijgevoerd.  
Mechanische onderdelen van de stokheggenschaar kunnen worden beschadigd als geen smeervet wordt bijgevoerd na het voorgeschreven smeerinterval of als een onvoldoende hoeveelheid smeervet wordt bijgevoerd.



## Dagelijkse inspectie en onderhoud

Om een lange levensduur van uw stokheggenschaar te garanderen, voert u dagelijks de volgende inspecties en onderhoudswerkzaamheden uit.

- Voor gebruik:
  - Controleer altijd op losse en ontbrekende onderdelen voordat u met de werkzaamheden begint. Let met name goed op de snijgarnituur en controleer of de borgbouten van de messenbladen goed zijn vastgedraaid.
  - Controleer de koelluchtopeningen en de koelribben van de cilinder op verstopping voordat u met de werkzaamheden begint. Maak ze zo nodig schoon.
- Na gebruik:
  - Reinig de buitenkant van de stokheggenschaar en inspecteer op beschadigingen.
  - Maak het luchtfilter schoon. Als u in extreem stoffige omstandigheden werkt, maakt u het filter meerdere keren per dag schoon.
  - Controleer de messenbladen op beschadiging. Zorg ervoor dat de messenbladen stevig gemonteerd zijn.
  - Als na het afstellen de messenbladen bij stationair toerental nog steeds bewegen, neemt u contact op met het dichtstbijzijnde, erkende servicecentrum.

## MOTOROLIE VERVERSEN

Verslechterde motorolie verkort sterk de levensduur van de draaiende delen van de motor. Controleer het verversingsinterval en de bijvulhoeveelheid.



**GEVAAR:** Over het algemeen zijn de motor zelf en de motorolie heet kort nadat de motor is uitgeschakeld. Alvorens de motorolie te verversen, controleert u op de motor zelf en de motorolie voldoende zijn afgekoeld. Als u dit niet doet, bestaat de kans op verbranding. Wacht nadat de motor is uit gezet voldoende lang om de motorolie te laten terugstromen naar de olietank voor een nauwkeurige controle van het oliepeil.

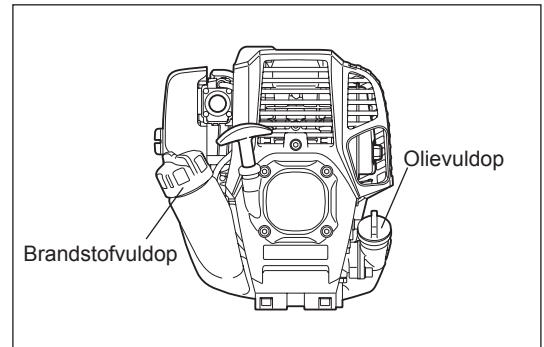
**OPMERKING:** Als de motorolie tot boven het bovenste merkteken wordt bijgevuld, kan de motorolie gemorst worden en vlam vatten waarbij witte rook vrijkomt.

**Verversingsinterval:** Na de eerste 20 bedrijfsuren en vervolgens na iedere 50 bedrijfsuren.

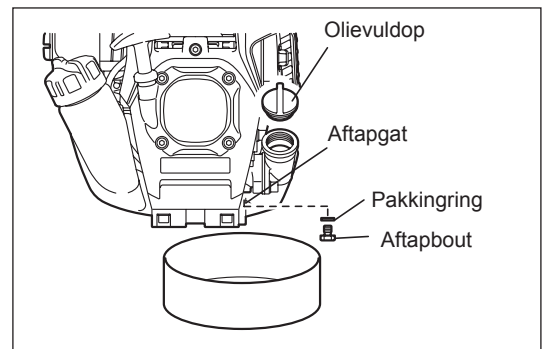
**Aanbevolen olie:** SAE 10W-30 olie van API-classificatie, SF-klasse of beter (4-taktmotorolie voor auto's)

Volg de onderstaande procedure om de motorolie te verversen.

- 1) Controleer of de brandstofvuldop stevig vastgedraaid is.
- 2) Plaats een grote opvangbak (pan, enz.) onder het aftappgat.

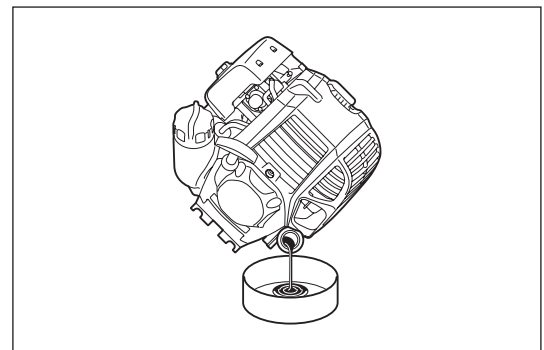


- 3) Verwijder de aftapbout en draai daarna de olievuldop eraf om de motorolie af te tappen uit het aftappgat. Wees hierbij voorzichtig de pakkingring van de aftapbout niet kwijt te raken en de verwijderde onderdelen niet vuil te maken.
- 4) Nadat de motorolie is afgetapt, draait u de aftapbout met daarop de pakkingring stevig vast, zodat deze niet kan losraken en gaan lekken.  
\* Gebruik een poetsdoek om de motorolie die aan de aftapbout en het gereedschap zit volledig af te vegen.

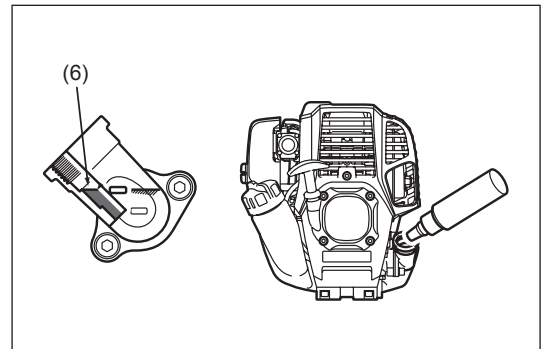
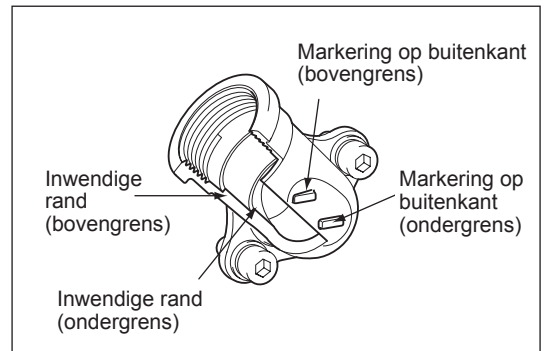


### Alternatieve methode voor het aftappen van de motorolie

Draai de olievuldop eraf, kantel de stokheggenchaar in de richting van de olieulopening en tap de motorolie af.  
Vang de motorolie op in een opvangbak.



- 5) Plaats de motor horizontaal en vul geleidelijk nieuwe motorolie bij tot aan de markering van de bovengrens (6).
- 6) Draai na het bijvullen de olievuldop stevig vast, zodat deze niet kan losraken en gaan lekken. Als de olievuldop niet stevig wordt vastgedraaid, kan deze gaan lekken.



#### TIPS VOOR HET OMGAAN MET OLIE

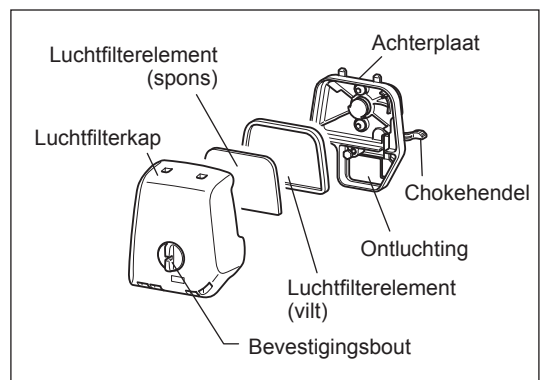
- Gooi verbruikte motorolie nooit weg met het afval, op de grond, of in een rioolput. Het weggooien van olie is bij wet geregeld. Houd u bij het weggooien altijd aan de betreffende wetten en regelgeving. In het geval u hierover vragen heeft, neemt u contact op met een erkend servicecentrum.
- Olie verslechtert, ook wanneer de olie niet wordt gebruikt. Controleer en ververs de olie regelmatig (ververs de olie iedere 6 maanden).

## Het luchtfilter schoonmaken

### GEVAAR: Streng verboden voor ontvlambare materialen

Controleer en reinig het luchtfilter dagelijks of iedere 10 bedrijfsuren.

- Zet met de chokehendel de choke helemaal dicht en houd de carburateur vrij van stof of vuil.
- Draai de bevestigingsbout los.
- Verwijder de luchtfilterkap door aan de onderkant te trekken.
- Verwijder de luchtfilterelementen en tik ertegen om het vuil te verwijderen.
- Als de luchtfilterelementen zwaar verontreinigd zijn: Verwijder de luchtfilterelementen, dompel ze in warm water of in een oplossing van een mild schoonmaakmiddel in water, en droog ze grondig. Knijp er niet in en wrijf er niet over tijdens het wassen.
- Alvorens de luchtfilterelementen terug te plaatsen, moeten deze grondig droog zijn. Als de luchtfilterelementen onvoldoende droog worden teruggeplaatst, kan dat leiden tot moeilijk starten.
- Veeg olie die rondom de luchtfilterkap en de ontluchting zit af met een poetsdoek.
- Plaats het luchtfilterelement (spons) in het luchtfilterelement (vilt). Plaats de luchtfilterelementen zodanig in de achterplaat dat de spons aan de kant van de luchtfilterkap zit.
- Plaats de luchtfilterkap onmiddellijk terug en zet hem vast met de bevestigingsbouten. (Plaats bij het monteren eerst de bovenrand en daarna de onderrand.)



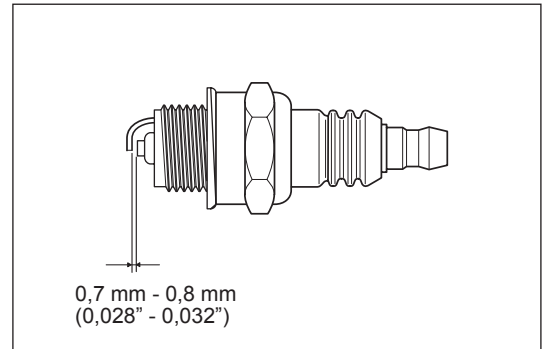
### KENNISGEVING:

- Reinig de luchtfilterelementen meerdere keren per dag als onder extreem stoffige omstandigheden wordt gewerkt. Vervuilde luchtfilterelementen verlagen het motorvermogen en bemoeilijken het starten van de motor.
- Verwijder de olie op de luchtfilterelementen. Als u blijft doorwerken terwijl de luchtfilterelementen vervuild zijn met olie, kan de olie buiten het luchtfilter terechtkomen en tot milieuverontreiniging leiden.
- Plaats de luchtfilterelementen niet op de grond of op een vieze plaats. Er kan dan vuil of rommel aan blijven plakken waardoor de motor kan worden beschadigd.
- Gebruik nooit brandstof om de luchtfilterelementen te reinigen. Ze kunnen door de brandstof worden beschadigd.

## DE BOUGIE CONTROLEREN

- Gebruik alleen de bijgeleverde moersleutel om de bougie te verwijderen of te installeren.
- De afstand tussen de twee elektroden van de bougie moet 0,7 tot 0,8 mm (0,028" - 0,032") bedragen. Als de afstand te groot of te klein is, moet u deze aanpassen. Als de elektroden van de bougie verstopt of vervuild zijn, moet u deze grondig schoonmaken of de bougie vervangen.

LET OP: Raak de bougiekap nooit aan terwijl de motor draait (gevaar van elektrische schok door hoogspanning).



## Het brandstoffilter (de zuigkop in de brandstoftank) schoonmaken

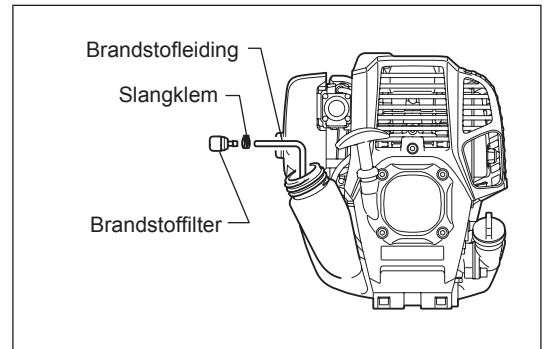
### WAARSCHUWING: STRENG VERBODEN VOOR ONTBRANDBARE MATERIELEN

Controleer en reinig het brandstoffilter maandelijks of iedere 50 bedrijfsuren.

Controleer het brandstoffilter regelmatig. Volg de onderstaande stappen om het brandstoffilter te controleren.

- (1) Verwijder de brandstofvullop en tap de brandstof af totdat de brandstoftank leeg is. Controleer de binnenkant van de brandstoftank op eventuele vreemde stoffen. Als u iets vindt, verwijdert u dit.
- (2) Gebruik een draadhaak om de zuigkop uit de brandstofvulopening te trekken.
- (3) Als het brandstoffilter enigszins verstopt is, reinigt u het. Om het te reinigen, schudt u het en tikt u ertegen in de brandstof. Om beschadiging te voorkomen, knijpt u er niet in en wrijft u er niet over. De brandstof die is gebruikt voor het reinigen moet worden weggegooid volgens de methode beschreven in de regelgeving van uw land. Als het brandstoffilter hard of ernstig verstopt is, vervangt u het.
- (4) Na het controleren, reinigen of vervangen van het brandstoffilter, duwt u het zo ver mogelijk omlaag tot onderin de brandstoftank.

Een verstopt of beschadigd brandstoffilter kan leiden tot onvoldoende brandstoftoevoer en minder motorvermogen. Vervang het brandstoffilter ten minste iedere drie maanden om verzekerd te zijn van een goede brandstoftoevoer naar de carburateur.



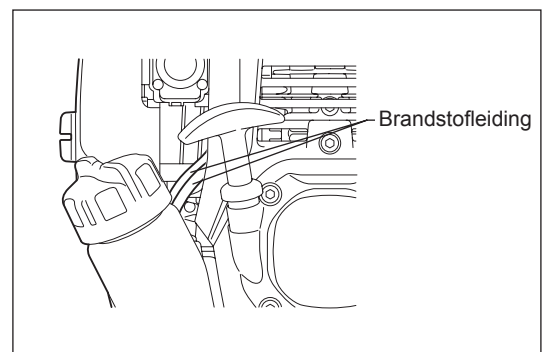
## De brandstofleiding vervangen

### LET OP: Streng verboden voor ontvlambare materialen

Controleer en reinig de brandstofleiding dagelijks of iedere 10 bedrijfsuren.

Vervang de brandstofleiding iedere 200 bedrijfsuren of ieder jaar, ongeacht de gebruiksfrequentie. Als u dat niet doet, kan brandstoflekkage optreden waardoor brand kan worden veroorzaakt.

Als u tijdens de controle een lekkage vindt, vervangt u de brandstofleiding onmiddellijk.



## DE BOUTEN, MOEREN EN SCHROEVEN INSPECTEREN

- Draai losse bouten, moeren, enz., weer vast.
- Controleer op brandstof- en olielekkage.
- Vervang beschadigde onderdelen door nieuwe voor een veilig gebruik.

## DE ONDERDELEN REINIGEN

- Houd de motor schoon door deze af te vegen met een poetsdoek.
- Houd de koelribben van de cilinder vrij van stof en vuil. Stof en vuil dat zich tussen de koelribben ophoopt, zal leiden tot het vastlopen van de zuiger.

## DE AFDICHTINGEN EN PAKKINGEN VERVANGEN

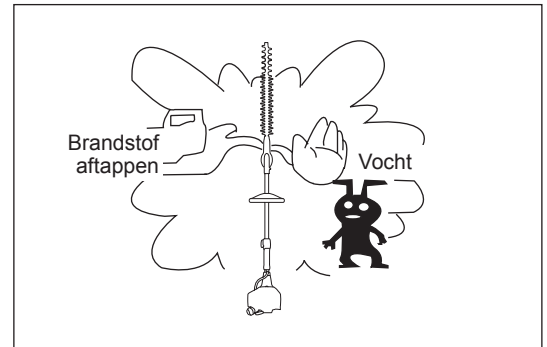
Vervang de pakkingen en afdichtingen als de motor gedemonteerd is. Voor alle onderhoudswerkzaamheden en afstellingen die niet in deze handleiding worden beschreven, neemt u contact op met u uw plaatselijk, erkend DOLMAR-servicecentrum.

**WAARSCHUWING:** Voordat u begint met het aftappen van de brandstof, zet u de motor uit en wacht u totdat de motor is afgekoeld.

Als u dat niet doet kan dat leiden tot brandwonden of brand.

**LET OP:** Als u het gereedschap gedurende een lange tijd opbergt, tapt u alle brandstof af uit de brandstoftank en carburateur, en bergt u hem op een droge en schone plaats op.

- Tap de brandstof af uit de brandstoftank en carburateur aan de hand van de volgende procedure:
  - 1) Draai de brandstofvuldop eraf en tap de brandstof volledig af.  
Als vreemd materiaal is achtergebleven in de brandstoftank, verwijdert u dit volledig.
  - 2) Trek met behulp van een draadhaak het brandstoffilter uit de brandstofvulopening.
  - 3) Druk op de brandstofhandpomp totdat de brandstof daaruit en in de brandstoftank stroomt.
  - 4) Plaats het brandstoffilter terug in de brandstoftank en draai de brandstofvuldop stevig vast.
  - 5) Laat de motor vervolgens draaien tot deze afslaat.
- Verwijder de bougie en breng enkele druppels motorolie via het bougiegat in de cilinder.
- Trek voorzichtig aan de trekstarthandgreep zodat de motorolie zich door de motor verspreidt, en monteer daarna de bougie weer.
- Bevestig de beschermkap op de messenbladen.
- Normaal gesproken bergt u het gereedschap horizontaal op. Als dit niet mogelijk is, plaatst u het gereedschap zodanig dat de motor zich lager bevindt dan het snijgarnituur. Anders kan motorolie van binnenuit lekken.
- Let er altijd op dat u het gereedschap op een veilige plaats opbergt om beschadiging van het gereedschap en persoonlijk letsel te voorkomen.
- Bewaar de afgetapte brandstof in een speciale jerrycan op een goed geventileerde plaats in de schaduw.



**Aandachtspunt na langdurige opslag**

- Alvorens de motor na langdurige stilstand opnieuw te starten, moet de olie worden verversd (zie pag. 116). De olie verslechtert terwijl het gereedschap niet in gebruik is.

Item	Bedrijfsuren	Vóór gebruik	Dagelijks (10 uur)	25 uur	50 uur	200 uur	Uitschakelen/opslag	Raadpleeg pagina
Motorolie	Inspecteren/reinigen	○						107
	Vervangen				○*1			116
Vastdraaien (bouten, moeren, enz.)	Inspecteren	○						118
Brandstoftank	Reinigen/inspecteren	○						-
	Brandstof aftappen						○*3	119
Gashendel	Werking controleren	○						109
I-O-schakelaar	Werking controleren	○						109, 111
Messenbladen	Inspecteren	○	○					109, 114
Laag toerental	Inspecteren/afstellen		○					111
Luchtfilter	Reinigen		○					117
Bougie	Inspecteren		○					118
Koelluchtinlaatkanaal	Reinigen/inspecteren		○					118
Brandstofleiding	Inspecteren		○					118
	Vervangen					◎*2		-
Smeervet in tandwielhuis	Bijvullen			○				115
Brandstoffilter	Reinigen/vervangen				○			118
Afstand tussen luchtinlaatklep en luchtuitlaatklep	Afstellen					◎*2		-
Motor reviseren						◎*2		-
Carburateur	Brandstof aftappen						○*3	119

\*1 Eerste keer verversen na 20 bedrijfsuren.

\*2 Vraag een erkend servicecentrum of een machinewerkplaats om de inspectie na 200 bedrijfsuren uit te voeren.

\*3 Na het aftappen van de brandstoftank, laat u de motor draaien om de brandstof in de carburateur op te gebruiken.



## PROBLEMEN OPLOSSEN

Alvorens een verzoek voor reparatie in te dienen, controleer u de storing zelf aan de hand van de onderstaande tabel. Als een probleem is gevonden, repareert u het gereedschap aan de hand van de beschrijvingen in deze gebruiksaanwijzing. Probeer nooit enig onderdeel te demonteren of repareren in strijd met de beschrijvingen. Voor reparatie neemt u contact op met een erkend servicecentrum of uw plaatselijke dealer.

Probleemomschrijving	Mogelijke oorzaak (storing)	Oplossing
Motor start niet.	De brandstofhandpomp werd niet ingedrukt.	Druk deze 7 tot 10 keer in.
	Te zwak trekken aan de trekstarthandgreep.	Trek krachtig.
	Gebrek aan brandstof.	Vul brandstof bij.
	Verstopt brandstoffilter.	Reinig.
	Gebroken brandstofleiding.	Repareer de brandstofleiding.
	Verslechterde brandstof.	De verslechterde brandstof bemoeilijkt het starten. Vervang de brandstof door nieuwe. (Aanbevolen vervangingsinterval: 1 maand.)
	Buitensporige toevoer van brandstof.	Verander de stand van de gashendel van middelhoog toerental naar hoog toerental en trek aan de trekstarthandgreep tot de motor start. <b>Nadat de motor is gestart, beginnen de messenbladen te bewegen. Let goed op de messenbladen.</b> Als de motor nog steeds niet start, draait u de bougie eruit, maakt u de elektroden droog, en monteert u de bougie weer. Start vervolgens zoals beschreven.
	Bougiekap ligt eraf.	Bevestig stevig.
	Vervuilde bougie.	Reinig.
	Verkeerde elektrodenafstand van bougie.	Stel de elektrodenafstand af.
	Ander probleem met de bougie.	Vervang.
	Probleem met de carburateur.	Dien een verzoek in voor inspectie en onderhoud.
	Trekstarthandgreep kan niet worden uitgetrokken.	Dien een verzoek in voor inspectie en onderhoud.
Probleem met aandrijving.	Dien een verzoek in voor inspectie en onderhoud.	
Motor slaat snel af. Motortoerental neemt niet toe.	Onvoldoende opgewarmd.	Warm de motor op.
	De chokehendel staat in de stand "H" ondanks dat de motor opgewarmd is.	Zet in de stand "I"
	Verstopt brandstoffilter.	Reinig of vervang.
	Vervuild of verstopt luchtfilter.	Reinig.
	Probleem met de carburateur.	Dien een verzoek in voor inspectie en onderhoud.
	Probleem met aandrijving.	Dien een verzoek in voor inspectie en onderhoud.
Messenbladen bewegen niet ↓ Motor slaat onmiddellijk af	Onjuiste hoek van de snoeienheid	Zorg ervoor dat de hoekvergrendeling goed aangrijpt.
	Bevestigingsmoer van messenbladen zit los.	Draai goed vast.
	Takjes zijn rond de messenbladen gewikkeld.	Verwijder vreemde voorwerpen.
	Probleem met aandrijving.	Dien een verzoek in voor inspectie en onderhoud.
Motor trilt abnormaal sterk ↓ Motor slaat onmiddellijk af	Messenbladen zijn gebroken, verbogen of versleten.	Vervang de messenbladen.
	Bevestigingsmoer van messenbladen zit los.	Draai goed vast.
	Probleem met aandrijving.	Dien een verzoek in voor inspectie en onderhoud.
Messenbladen stoppen niet onmiddellijk ↓ Motor slaat onmiddellijk af	Hoog stationair toerental.	Stel af.
	Gaskabel losgeraakt.	Bevestig stevig.
	Probleem met aandrijving.	Dien een verzoek in voor inspectie en onderhoud.
Motor slaat niet af ↓ Laat de motor stationair draaien en zet de chokehendel in de stand "H"	Stekker losgeraakt.	Bevestig stevig.
	Probleem met elektrisch systeem.	Dien een verzoek in voor inspectie en onderhoud.

Als de motor niet start ondanks dat deze opgewarmd is:

Als bij het doorlopen van de controlepunten geen probleem wordt gevonden, knijpt u de gashendel ongeveer 1/3 in en start u de motor.

Muchas gracias por comprar el cortasetos de extensión DOLMAR. Nos complace ofrecerle un producto que es el resultado de un extenso programa de desarrollo y muchos años de conocimientos y experiencia.

Para obtener de forma segura los mejores resultados posibles de su cortasetos de extensión DOLMAR, lea este manual íntegramente antes de usar la máquina y siga todas las instrucciones que se proporcionan en el mismo para garantizar un uso correcto del cortasetos de extensión DOLMAR.



## Tabla de contenido

## Página

Símbolos.....	122
Instrucciones de seguridad.....	123
Datos técnicos.....	128
Denominación de las piezas.....	129
Ensamblado.....	130
Correa de hombro (accesorio opcional).....	130
Combustible/repotaje.....	131
Precauciones antes de poner en marcha el motor.....	133
Utilización del cortasetos de extensión.....	136
Mantenimiento.....	138
Almacenamiento.....	143
Localización y solución de averías.....	145

## SÍMBOLOS

Tenga en cuenta los siguientes símbolos cuando lea este manual de instrucciones.

	ADVERTENCIA/PELIGRO		Tenga cuidado con los pellizcos
	Antes del uso, lea con atención y comprenda en su totalidad las instrucciones de este manual		Tenga cuidado con las líneas eléctricas, existe un riesgo de descarga eléctrica
	PROHIBICIÓN		Combustible (Gasolina)
	No fumar		Encendido manual del motor
	Se prohíben las llamas vivas		Parada de emergencia
	Utilice calzado de protección		Primeros auxilios
	Utilice guantes de protección		ENCENDIDO/ARRANQUE
	Mantenga el área de trabajo libre de personas y animales		APAGADO/PARADA
	Utilice un casco de seguridad y protección para los ojos y oídos		

# INSTRUCCIONES DE SEGURIDAD

## Instrucciones generales

- Antes del uso, lea con atención este manual y familiarícese exhaustivamente con el manejo correcto del cortasetos de extensión. ¡ESTE EQUIPO PUEDE PROVOCAR LESIONES GRAVES SI SE UTILIZA DE FORMA INCORRECTA!
- Cuando preste el equipo a otra persona, proporcione siempre instrucciones detalladas sobre cómo utilizar de forma correcta el cortasetos de extensión. Asegúrese de que se entregue el manual de instrucciones junto con el cortasetos de extensión.
- Las personas que utilicen la herramienta por primera vez deben solicitar a su distribuidor instrucciones básicas para el correcto manejo del cortasetos de extensión.
- Guarde este manual en una ubicación en la que sea fácilmente accesible para una consulta rápida.
- No permita que los menores de 18 años utilicen el cortasetos de extensión. No obstante, las personas mayores de 16 años pueden utilizar el cortasetos de extensión con finalidades de formación si están bajo la constante supervisión de un familiar adulto durante el manejo del cortasetos de extensión.
- Utilice siempre el cortasetos de extensión con el máximo cuidado y atención.
- No intente nunca modificar el equipo.
- Siga las normativas acerca del manejo de los cortasetos de extensión en su país.
- Se pueden provocar lesiones graves si el cortasetos de extensión se utiliza en las siguientes circunstancias. No utilice el cortasetos de extensión:
  - Cuando se sienta cansado o indispuesto.
  - Tras el consumo de alcohol y/o medicamentos.
  - De noche o en condiciones de iluminación deficiente.
  - Durante el embarazo.

## Uso previsto

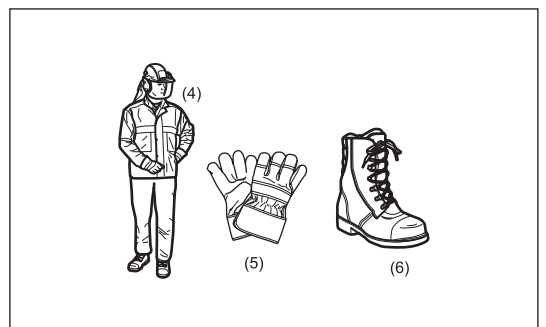
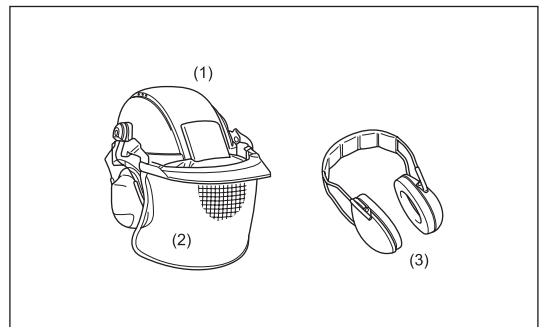
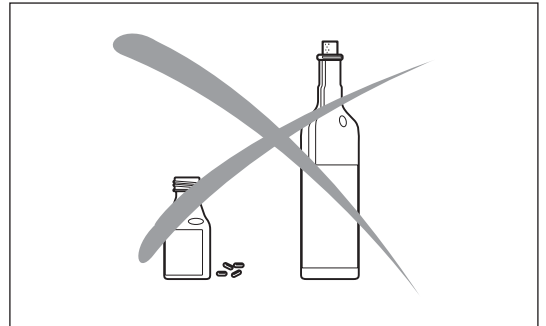
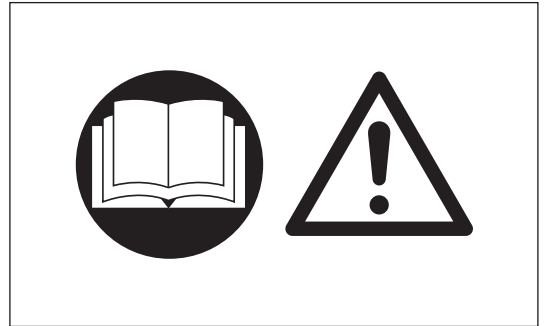
- Este cortasetos de extensión se ha diseñado con la única finalidad de cortar setos y arbustos. No utilice el cortasetos de extensión para ninguna otra finalidad.

## Equipo de protección personal

- Se debe vestir ropa funcional y ajustada que no restrinja el movimiento. No lleve ropa o joyas que puedan enredarse en los matorrales o en la máquina.
- Para una protección apropiada contra lesiones en la cabeza, los ojos, los pies y las manos, así como trastornos auditivos, se debe utilizar la siguiente ropa y el siguiente equipo de protección cuando se trabaje con el cortasetos de extensión.
- Para evitar lesiones en la cabeza o los ojos, utilice siempre un casco de seguridad (1) con gafas o una visera (2).
- Para evitar trastornos auditivos, utilice protectores de oído apropiados (3) en todo momento.
- Se recomienda encarecidamente el uso de monos de trabajo que se ajusten bien (4).
- Utilice siempre guantes de trabajo de piel robustos (5) cuando maneje el cortasetos de extensión.
- Cuando maneje el cortasetos de extensión, utilice siempre calzado robusto (6) con una suela que no resbale. El calzado de trabajo especial garantiza un buen equilibrio y protege ante lesiones.
- Cuando toque las cuchillas o la unidad de cuchilla, utilice guantes de protección. Las cuchillas pueden provocar graves cortes en las manos desnudas.

## Seguridad del área de trabajo

- **⚠ PELIGRO:** Mantenga el cortasetos de extensión alejado de las líneas eléctricas y los cables de comunicación. Tocar las líneas de alta tensión o acercarse a ellas con el cortasetos de extensión puede provocar la muerte o lesiones graves. Tenga cuidado con las líneas eléctricas y las vallas eléctricas alrededor del área de trabajo antes de iniciar las operaciones.
- Ponga en marcha y utilice el motor únicamente en exteriores, en una zona bien ventilada. El uso en una zona cerrada o con poca ventilación puede causar la muerte por asfixia o envenenamiento por monóxido de carbono.
- Durante las operaciones, mantenga a las personas circundantes, en especial a los niños, o a los animales alejados como mínimo 15 m del cortasetos de extensión. Detenga el motor cuando se acerque alguien.
- Antes de las operaciones, examine el área de trabajo en busca de alambradas, piedras u otros objetos sólidos. Pueden dañar las cuchillas.
- **⚠ ADVERTENCIA:** El uso de este producto puede crear polvo que contiene productos químicos que pueden causar enfermedades respiratorias y de otro tipo. Algunos ejemplos de estos productos químicos son compuestos que se encuentran en pesticidas, insecticidas, fertilizantes y herbicidas. El riesgo de exposición varía en función de la frecuencia con la que realice este tipo de trabajo. Para reducir su exposición a estas sustancias químicas: trabaje en zonas bien ventiladas y póngase el equipo de seguridad indicado como, por ejemplo, las mascarillas contra el polvo especialmente diseñadas para filtrar partículas microscópicas.



## Puesta en marcha del cortasetos de extensión

- Antes del montaje o ajuste del equipo, apague el motor y retire el capuchón de la bujía.
- Antes de poner en marcha el cortasetos de extensión, asegúrese siempre de que la máquina esté en un estado operativo seguro.
- Nunca intente poner en marcha el motor si el equipo está dañado.
- Compruebe el funcionamiento del mecanismo de seguridad de la palanca de la mariposa de gases. La palanca de desbloqueo debe tener un accionamiento suave y fácil. Asegúrese de que la palanca de desbloqueo funcione correctamente. Compruebe que los asideros estén limpios y pruebe el interruptor de parada, STOP, para asegurarse de que funcione correctamente.

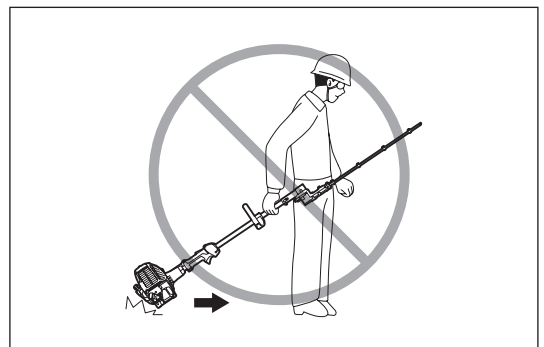
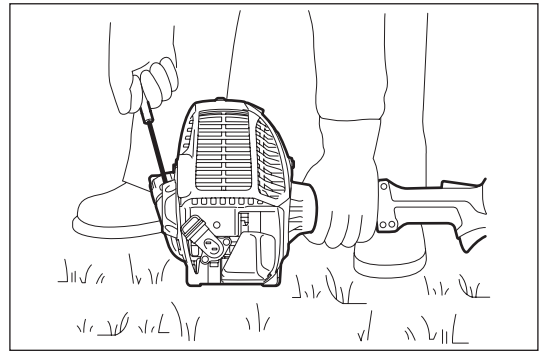
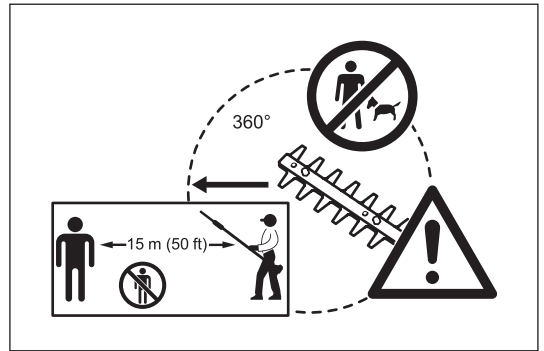
Siempre debe poner en marcha el cortasetos de extensión de acuerdo con las instrucciones que se proporcionan en este manual de instrucciones.

## Siga las instrucciones que se proporcionan a continuación para poner en marcha el cortasetos de extensión

- Ponga en marcha el cortasetos de extensión solamente después de que la máquina se haya ensamblado completamente y se hayan acoplado todos los accesorios.
- Cuando ponga en marcha el motor, mantenga las cuchillas alejadas de su cuerpo y de otros objetos, incluyendo el suelo. Las cuchillas se pueden mover durante la puesta en marcha y puede causar daños o lesiones graves en las cuchillas y/o la propiedad.
- Antes de poner el motor en marcha, asegúrese de que las cuchillas de corte no estén obstruidas por ningún objeto extraño, como piedras, ramas, etc.
- Detenga el motor inmediatamente si se produce un problema en él.
- Cuando tire de la empuñadura de arranque, sujete el equipo firmemente contra el suelo con su mano izquierda. Nunca pise el eje de accionamiento.
- Si las cuchillas se mueven al ralentí, detenga el motor y reduzca la velocidad de ralentí.
- Cuando utilice el cortasetos de extensión, mantenga siempre un firme agarre de ambos asideros. Rodee con la mano cada asidero, de forma que el asidero quede entre sus dedos pulgar e índice. Para mantener el cortasetos de extensión bajo control en todo momento, no cambie el agarre durante las operaciones. Asegúrese de que los asideros de control estén en buen estado y sin humedad, barro, aceite o grasa.

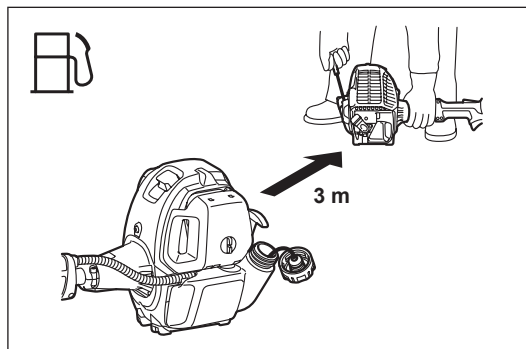
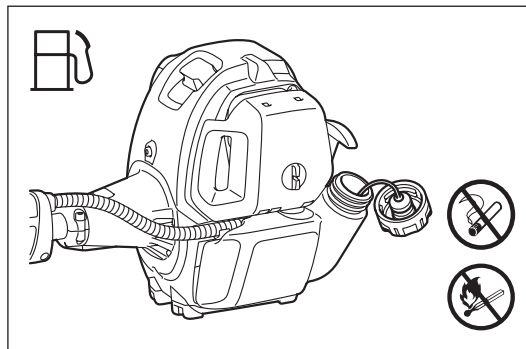
## Asegúrese siempre de que sus pies se encuentran en una posición segura y bien equilibrada

- Siempre debe detener inmediatamente el motor y dejar de realizar las operaciones si se produce un problema en el motor o si la máquina empieza a realizar un ruido no habitual.
- Los gases de escape son tóxicos. Nunca utilice el equipo en un espacio cerrado o un túnel sin ventilación (riesgo de asfixia e intoxicación por gas). Tenga en cuenta que el monóxido de carbono es un gas inodoro. Asegúrese siempre de que las áreas en las que el motor se utiliza cuenten con una ventilación adecuada.
- Detenga el motor cuando descansa o cuando el cortasetos de extensión se deje desatendido. Coloque el equipo en un lugar seguro y asegúrese de que no haya ningún material combustible cerca.
- Nunca coloque un cortasetos de extensión caliente sobre césped o material combustible.
- Para reducir el riesgo de incendio, mantenga el motor y el silenciador libres de residuos, hojas o lubricante en exceso.
- Nunca utilice el motor si se produce un funcionamiento anómalo del silenciador.
- Apague el motor antes del transporte.
- Detenga siempre el motor durante:
  - Descanso
  - Transporte de la máquina
  - Limpieza de la máquina
  - Repostaje de la máquina
  - Realización de mantenimiento en la máquina
  - Solución de un problema con la máquina
- Cuando transporte el equipo, hágalo en una posición horizontal sujetando el eje. Mantenga el silenciador caliente alejado de su cuerpo.
- Cuando transporte la máquina en un vehículo, siempre debe sujetar de forma segura el cortasetos de extensión para evitar fugas de combustible residual.
- Vacíe siempre el depósito de combustible antes de transportar el cortasetos de extensión en un vehículo.
- Cuando descargue la máquina de un vehículo, tenga especial cuidado de no dejar caer al suelo el cortasetos de extensión, ya que se puede dañar gravemente el depósito de combustible.
- Excepto en una emergencia, nunca deje caer el cortasetos de extensión, ya que se puede dañar gravemente la máquina.
- Cuando transporte el cortasetos de extensión, levante siempre completamente la máquina del suelo. Nunca arrastre el motor por el suelo, ya que se puede dañar el depósito de combustible y se puede causar un incendio.
- Utilice siempre la cubierta del elemento de corte para proteger y fijar la sección de corte del cortasetos de extensión durante el transporte y el almacenamiento.
- Si el equipo recibe un fuerte impacto o cae, compruebe su estado antes de continuar con el trabajo. Compruebe si hay fugas en el sistema de combustible y si los dispositivos de seguridad funcionan correctamente. Si hay daños o en caso de duda, solicite a nuestro centro de servicio autorizado que realice una inspección y reparación.



## Repostaje

- Antes de repostar, pare el motor.
- Nunca reposte cerca de llamas vivas.
- No fume durante el repostaje.
- Deje que pase tiempo suficiente para que el motor se enfríe antes del repostaje.
- Tenga cuidado de que la piel no entre en contacto con productos derivados del petróleo. No inhale los vapores de la gasolina y lleve siempre guantes de protección durante el repostaje.  
Cambie y limpie el equipo de protección periódicamente.
- Tenga especial cuidado en evitar el derrame de gasolina y aceite para evitar la contaminación del suelo (protección medioambiental). Si se ha derramado gasolina o aceite sobre el cortasetos de extensión, limpie la superficie del cortasetos de extensión inmediatamente con un trapo.  
Para evitar una combustión espontánea, permita que los trapos húmedos se sequen suficientemente antes de desecharlos en un contenedor cubierto adecuado.
- Asegúrese de que el combustible no entre en contacto con su ropa. Cambie la ropa contaminada con combustible inmediatamente (riesgo de incendio).
- Cierre el depósito de combustible y apriete la tapa del depósito de combustible firmemente. Para volver a poner en marcha el motor, transfiera el cortasetos de extensión a una ubicación alejada como mínimo 3 metros del lugar de repostaje.
- Compruebe la tapa del depósito de combustible periódicamente para asegurarse de que se haya apretado firmemente.
- Nunca reposte la máquina en un espacio cerrado. Los vapores de combustible se acumulan a nivel del suelo (riesgo de explosión).
- Almacene el combustible únicamente en recipientes adecuados y asegúrese de que el combustible almacenado esté fuera del alcance de los niños.



## Funcionamiento

- En caso de emergencia, apague el motor inmediatamente.
- Si percibe cualquier estado inusual (p. ej. ruido o vibración) durante el funcionamiento, apague el motor. No utilice el cortasetos de extensión hasta que se haya reconocido y resuelto la causa.
- Las cuchillas siguen moviéndose durante un breve período de tiempo después de soltar el disparador de la mariposa de gases o apagar el motor. No se apresure a tocar las cuchillas.
- Nunca intente utilizar el equipo con una mano. La pérdida de control puede provocar lesiones graves o fatales. Para reducir el riesgo de lesiones causadas por cortes, mantenga las manos y los pies alejados de las cuchillas.
- Mantenga la mano derecha debajo de la altura del hombro durante las operaciones. De lo contrario puede perder el control y sufrir lesiones.
- Durante las operaciones, nunca golpee las cuchillas contra obstáculos duros, como piedras y metales. Preste especial atención cuando corte setos que estén dispuestos cerca o a lo largo de una valla alambrada. Cuando trabaje en el suelo, asegúrese de que no entre arena, polvo o piedras entre las cuchillas.
- Si las cuchillas entran en contacto con piedras u otros objetos sólidos, detenga el motor inmediatamente y compruebe si las cuchillas están dañadas después de retirar el capuchón de la bujía. Sustituya las cuchillas si están dañadas.
- Nunca toque las cuchillas ni se aproxime a ellas mientras se estén moviendo. Las cuchillas pueden cortar sus dedos fácilmente. Cuando maneje la cuchilla o se aproxime a ella, detenga el motor y retire el capuchón de la bujía.
- Si se atascan ramas gruesas en las cuchillas, detenga inmediatamente el motor, coloque el cortasetos de extensión en el suelo y retire la obstrucción tras extraer el capuchón de la bujía. Compruebe si las cuchillas están dañadas antes de volver a utilizar el equipo.
- Al acelerar el motor con las cuchillas bloqueadas, aumenta la carga y se dañará el motor y/o el embrague.
- Compruebe las cuchillas de corte frecuentemente durante las operaciones para detectar grietas o si los bordes están desafilados. Antes de la inspección, apague el motor y espere hasta que las cuchillas se detengan completamente. Sustituya las cuchillas dañadas o desafiladas inmediatamente, aunque solamente tengan grietas superficiales.
- No toque la caja de engranajes. La caja de engranajes se calienta durante el uso.
- Descanse para evitar la pérdida de control causada por la fatiga. Recomendamos descansar de 10 a 20 minutos cada hora.
- Antes de cortar, tire completamente de la palanca de la mariposa de gases para lograr la máxima velocidad.
- Durante las operaciones, sujete el cortasetos de extensión con ambas manos en todo momento.
- Utilice el cortasetos de extensión únicamente en buenas condiciones de iluminación y visibilidad. Tenga cuidado con las zonas resbaladizas o húmedas (hielo y nieve) durante las estaciones frías (peligro de resbalar) y asegúrese siempre de tener una posición segura.
- Nunca utilice el cortasetos de extensión mientras permanece de pie sobre una superficie inestable o una fuerte pendiente.
- Nunca utilice el cortasetos de extensión mientras está sobre una escalera.
- Nunca se suba a un árbol para utilizar el cortasetos de extensión desde él.
- Para evitar traspies o caer sobre objetos, nunca camine hacia atrás cuando trabaje con el cortasetos de extensión.
- Detenga siempre el motor antes de limpiar o reparar la máquina. Asimismo, no sustituya piezas antes de que se haya detenido el motor.
- No utilice el cortasetos de extensión si la unidad de corte está dañada o gastada.

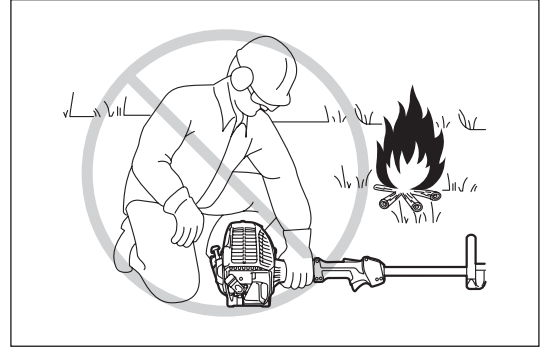


## Vibración

- Las personas con problemas circulatorios que están expuestas a vibraciones excesivas pueden sufrir lesiones en los vasos sanguíneos o en el sistema nervioso. La vibración puede provocar los siguientes síntomas en los dedos, manos o muñecas: "adormecimiento", hormigueo, dolor, sensación punzante, alteración del color de la piel o de la piel. Si sufre alguno de estos síntomas, acuda a un médico.
- Para reducir el riesgo de "enfermedad de dedos blancos", mantenga las manos calientes durante las operaciones y realice un buen mantenimiento del equipo y los accesorios.

## Instrucciones de mantenimiento

- Su equipo se debe reparar en nuestro centro de servicio autorizado, utilizando solamente piezas de recambio originales. Una reparación incorrecta o un mantenimiento deficiente pueden acortar la vida del equipo y aumentar el riesgo de accidentes.
- Haga siempre todo lo que pueda para mantener la contaminación y las emisiones de ruido tan bajas como sea posible cuando utilice el cortasetos de extensión. Preste especial atención al correcto ajuste del carburador.
- Limpie el cortasetos de extensión periódicamente y compruebe con frecuencia que todas las tuercas y los pernos estén bien apretados.
- Nunca realice trabajos de mantenimiento ni guarde el cortasetos de extensión cerca de llamas vivas, chispas, etc.
- Nunca repare cuchillas dobladas o rotas enderezándolas o soldándolas. Puede provocar que se desprendan parte de las cuchillas y se provoquen lesiones graves. Póngase en contacto con el centro de servicio autorizado de DOLMAR para obtener cuchillas auténticas de DOLMAR para el reemplazo.
- Para evitar más daños y/o lesiones personales, absténgase de reparar un cortasetos de extensión que no funcione correctamente si no está cualificado para hacerlo. Para reparaciones, contacte siempre con su distribuidor o un agente de servicio autorizado.



No intente modificar o remodelar el cortasetos de extensión, ya que se puede ver afectada la seguridad de las operaciones.

El trabajo de mantenimiento que puede ser realizado por el usuario se limita a las actividades descritas en este manual de instrucciones. Cualquier otro procedimiento debe ser ejecutado por un agente de servicio autorizado. Solicite al centro de servicio autorizado de DOLMAR que realice inspecciones y tareas de mantenimiento del cortasetos de extensión periódicamente. Utilice solamente piezas de recambio y accesorios genuinos suministrados por DOLMAR mediante centros de servicio autorizados. El uso de herramientas y accesorios no autorizados puede aumentar el riesgo de accidentes y lesiones. DOLMAR no acepta ninguna responsabilidad por accidentes o daños resultantes del uso de piezas y accesorios no autorizados.

## Almacenamiento

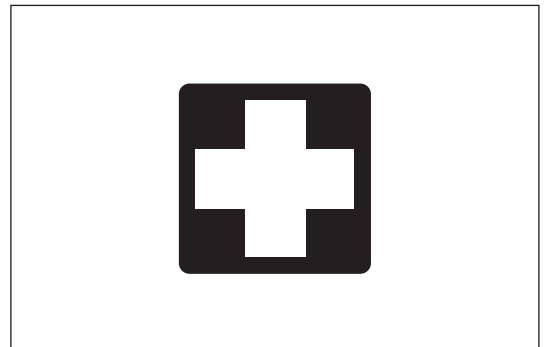
- Antes de almacenar el equipo, realice las tareas de mantenimiento y una limpieza total. Encaje la cubierta de la cuchilla.
- Vacíe el depósito de combustible antes del almacenamiento y almacene siempre el cortasetos de extensión en un espacio cerrado con llave y bien ventilado. Asegúrese de que el cortasetos de extensión esté fuera del alcance de los niños en todo momento.
- No golpee el equipo contra ningún elemento, como una pared. De lo contrario, el cortasetos de extensión puede caer repentinamente y causar lesiones.

## Primeros auxilios

Como precaución en caso de accidente, asegúrese de tener a mano un kit de primeros auxilios bien surtido. Sustituya los elementos tomados del kit de primeros auxilios en cuanto sea posible.

**Cuando solicite ayuda en caso de emergencia, proporcione la siguiente información:**

- Lugar del accidente
- Qué ha ocurrido
- Número de personas heridas
- Gravedad de las heridas
- Su nombre



**Sólo para países europeos**

**Declaración de conformidad de la CE**

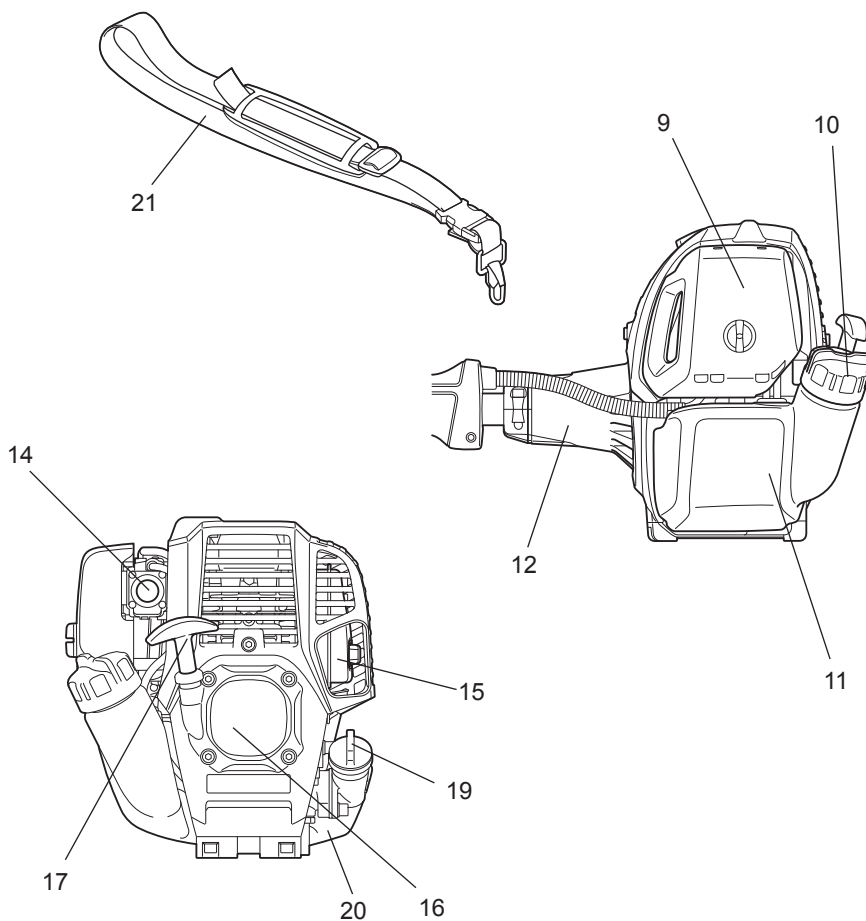
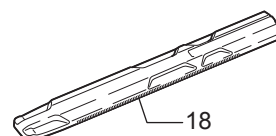
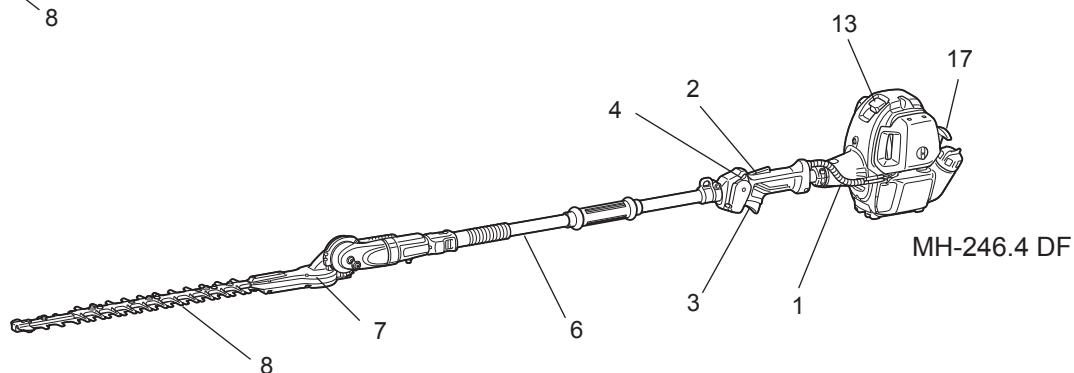
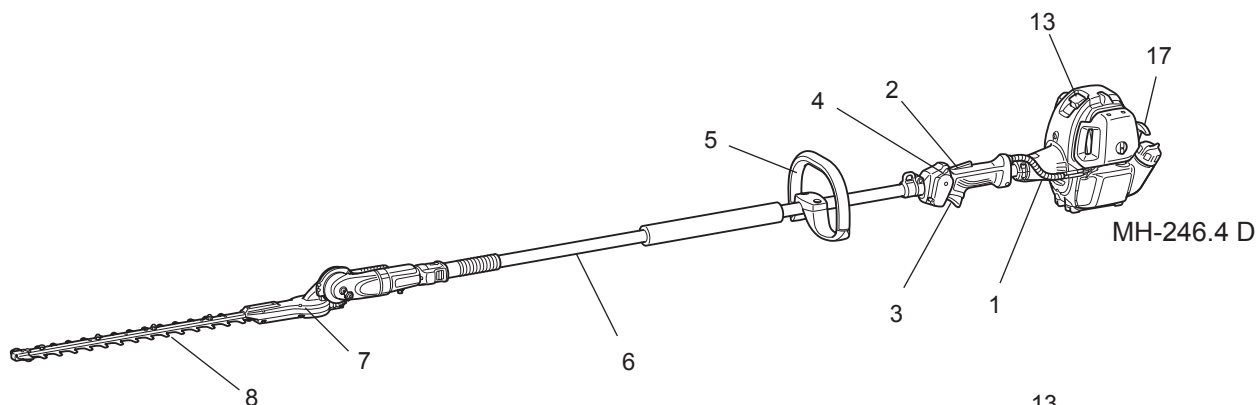
La Declaración de conformidad de la CE se incluye como Anexo A en este manual de instrucciones.

## DATOS TÉCNICOS

Modelo	MH-246.4 D		MH-246.4 DF	
	Asidero circular		Asidero recto	
Dimensiones (Largo x Ancho x Alto)	2.550 mm x 242 mm x 241 mm		2.050 mm x 221 mm x 241 mm	
Peso neto	6,9 kg		6,6 kg	
Volumen (depósito de combustible)	0,6 l			
Longitud de corte	490 mm			
Diámetro máximo de la rama	7 mm			
Carrera de corte	4.200 min <sup>-1</sup>			
Tipo de motor	Refrigerado por aire, 4 tiempos, monocilíndrico			
Cilindrada del motor	25,4 cm <sup>3</sup>			
Potencia máxima del motor	0,77 kW a 7.000 min <sup>-1</sup>			
Velocidad del motor a la velocidad máxima recomendada del husillo	10.000 min <sup>-1</sup>			
Consumo de combustible	0,33 kg/h			
Consumo específico de combustible	408 g/kWh			
Velocidad de ralentí	3.000 min <sup>-1</sup>			
Velocidad de acoplamiento de embrague	4.400 min <sup>-1</sup>			
Carburador (Carburador de diafragma)	Tipo de diafragma			
Bujía	tipo	NGK CMR4A		
Separación entre electrodos	0,7 - 0,8 mm			
		Vibración de acuerdo con ISO 10517		Vibración de acuerdo con ISO 10517
Asidero derecho (empuñadura trasera)	a <sub>nv eq</sub>	8,5 m/s <sup>2</sup>		7,0 m/s <sup>2</sup>
	Incertidumbre K	1,3 m/s <sup>2</sup>		3,1 m/s <sup>2</sup>
Asidero izquierdo (empuñadura delantera)	a <sub>nv eq</sub>	6,4 m/s <sup>2</sup>		5,1 m/s <sup>2</sup>
	Incertidumbre K	2,6 m/s <sup>2</sup>		1,5 m/s <sup>2</sup>
		Ruido según ISO 10517		Ruido según ISO 10517
Nivel de presión sonora	90 dB (A)		90,2 dB (A)	
Incertidumbre K	1,8 dB (A)		1,0 dB (A)	
Nivel de potencia sonora	103,0 dB (A)		104,1 dB (A)	
Incertidumbre K	1,0 dB (A)		0,4 dB (A)	
Combustible	Gasolina de automoción (gasolina)			
Aceite de motor	Aceite de clasificación API, clase SF o superior, SAE 10W-30 (aceite para motor de 4 tiempos de automoción)			
Relación de engranajes	1/4,78			



## DENOMINACIÓN DE LAS PIEZAS



	Denominación de las piezas
1	Cable de la mariposa de gases
2	Palanca de desbloqueo
3	Palanca de la mariposa de gases
4	Interruptor de parada
5	Asidero
6	Eje
7	Caja de engranajes
8	Cuchilla de corte
9	Filtro de aire
10	Tapa del depósito de combustible
11	Depósito de combustible
12	Caja del embrague
13	Capuchón de la bujía
14	Bomba de cebado
15	Silenciador
16	Arrancador de retroceso
17	Empuñadura de arranque
18	Cubierta de la cuchilla
19	Tapa de aceite
20	Depósito de aceite
21	Correa de hombro (accesorio opcional)

## ENSAMBLADO

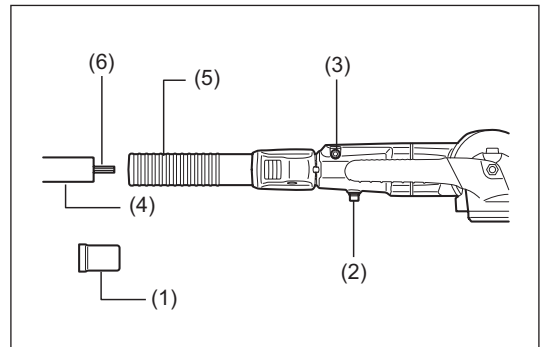
### ⚠ ADVERTENCIA:

- Asegúrese de que el motor esté apagado y retire el capuchón de la bujía antes de ensamblar el cortasetos de extensión.
- ¡Utilice guantes de protección!
- Fije las cuchillas de corte con la cubierta de la cuchilla cuando conecte la unidad de corte a la extensión.

1. Retire la tapa (1) del eje.
2. Afloje el perno M5 x 16 (2) y el perno M5 x 25 (3).
3. Inserte el eje (4) en la cubierta (5).

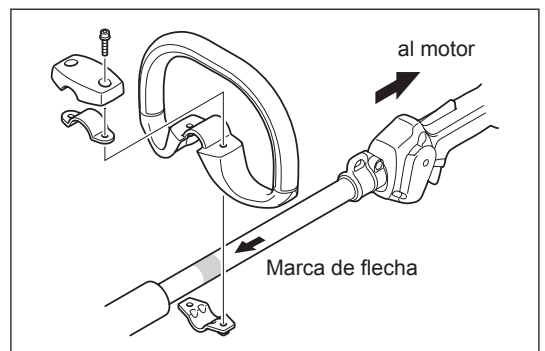
NOTA: Asegúrese de que el eje esté completamente insertado en la cubierta (aprox. 237 mm/ 9-3/8").  
Si tiene problemas para insertar el eje, gire ligeramente el eje de transmisión (6) de forma manual y vuelva a intentarlo.

4. Asegúrese de que el eje se haya insertado correctamente y después apriete el perno M5 x 16 y el perno M5 x 25.



### ACOPLAMIENTO DEL ASIDERO (para MH-246.4 D)

- Fije el asidero circular en el eje tal y como se muestra.
- Para mantener una distancia adecuada entre las empuñaduras, ajuste el asidero circular por delante de las flechas.

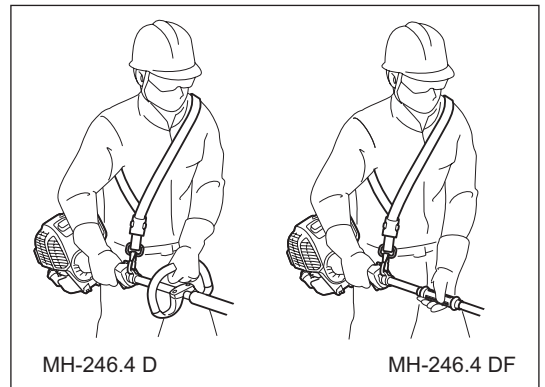


## CORREA DE HOMBRO (accesorio opcional)

### USO DE LA CORREA DE HOMBRO (accesorio opcional)

#### Cómo llevar la correa de hombro

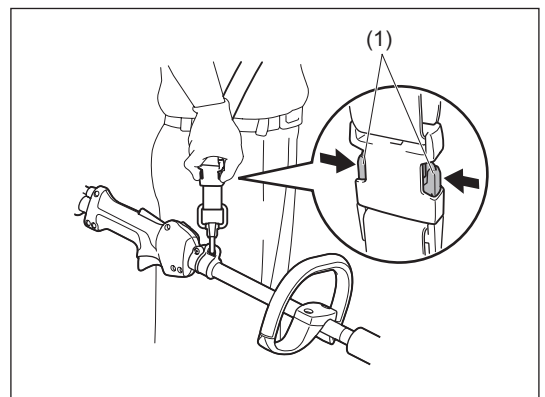
- Lleve la correa de hombro sobre el hombro izquierdo.
- Mantenga la unidad del cortasetos de extensión en el lado derecho del cuerpo.
- Ajuste la correa al gancho que se proporciona en el cortasetos de extensión y ajuste la longitud de la correa para lograr una posición de trabajo cómoda.



### Separación

- En una emergencia, pulse las muescas (1) en ambos lados y puede soltar la máquina.  
Procure no perder el control de la máquina en ese momento. No permita que la máquina se desvíe hacia usted o hacia cualquiera que se encuentre cerca de usted.

ADVERTENCIA: Si no se mantiene un control completo de la máquina, se pueden causar lesiones corporales graves o la MUERTE.



## ANTES DEL USO

### Inspección y rellenado del aceite de motor

- Realice el siguiente procedimiento con el motor frío.
- Coloque el motor en una posición nivelada, retire la tapa de aceite (Fig. 1) y compruebe si hay aceite en el intervalo entre las marcas de límite superior e inferior del tubo de aceite (Fig. 2).
- Rellene aceite hasta la marca de límite superior si la cantidad de aceite es insuficiente (el nivel de aceite está cerca de la marca de límite inferior) (Fig. 3).
- El área que rodea las marcas externas es transparente, por lo que la cantidad de aceite se puede comprobar sin tener que retirar la tapa de aceite. No obstante, si el tubo de aceite está extremadamente sucio, la visibilidad puede ser nula y el nivel de aceite se tendrá que comprobar con la sección graduada del interior del tubo de aceite.
- Para su referencia, el intervalo de rellenado de aceite es de 10 h (cada 10 repostajes). Si el aceite cambia de color o se mezcla con suciedad, sustitúyalo con uno nuevo. (Para conocer el intervalo y el método de sustitución, consulte la P140)

**Aceite recomendado:** Aceite SAE 10W-30 de Clasificación API, Clase SF o superior (motor de 4 tiempos para automoción)

**Volumen de aceite:** Aprox. 0,08 l

NOTA: Si el motor no se mantiene en posición vertical, puede entrar aceite en el motor y se puede rellenar en exceso. Si se llena aceite por encima del límite, el aceite puede contaminarse o incendiarse y provocar un humo blanco.

### Punto 1 de la sustitución de aceite: "Tapa de aceite"

- Retire el polvo o la suciedad de alrededor de la abertura de rellenado de aceite y extraiga la tapa de aceite.
- Mantenga la tapa de aceite libre de tierra o suciedad. De lo contrario, la tierra o la suciedad que se adhieran a la tapa de aceite pueden causar una circulación irregular de aceite o un desgaste en las piezas del motor, lo que puede provocar problemas.

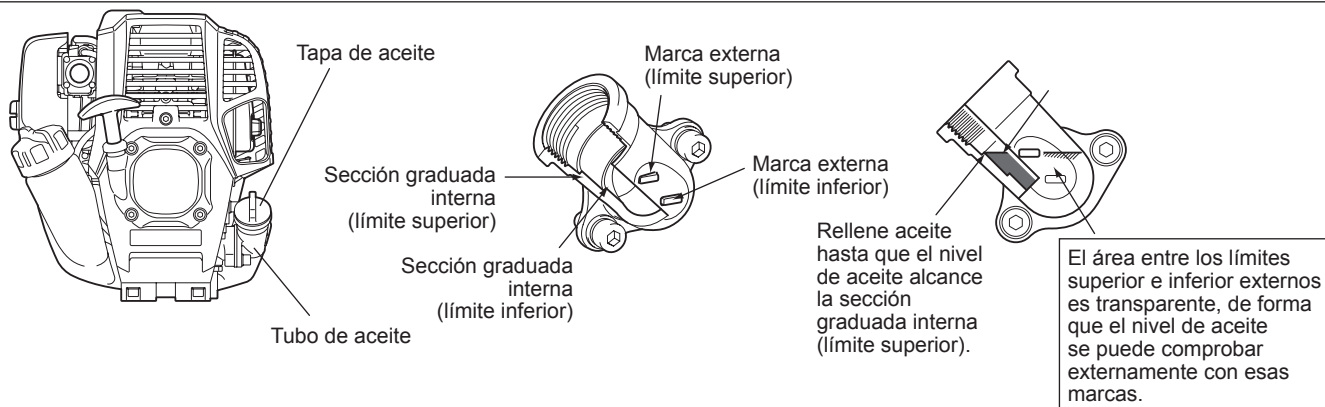
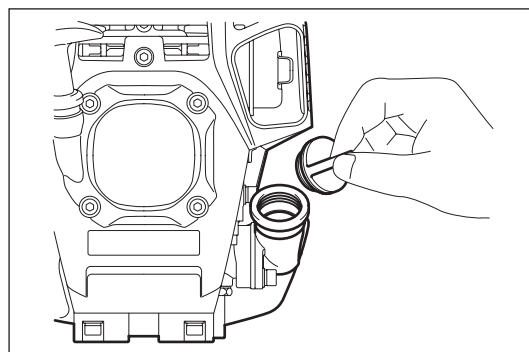


Fig. 1

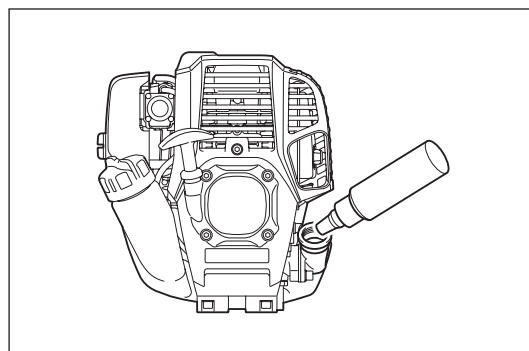
Fig. 2 Tubo de aceite

Fig. 3

(1) Mantenga el motor nivelado y extraiga la tapa de aceite.



(2) Rellene aceite hasta la marca de límite superior. (consulte la Fig. 3)  
Utilice una botella de aceite cuando rellene.



(3) Apriete firmemente la tapa de aceite. Un apriete insuficiente puede causar fugas de aceite.

#### Nota

- No rellene aceite con el motor en una posición inclinada.
- Si se rellena aceite con el motor inclinado se producirá un exceso de llenado, que provocará contaminación por aceite y/o humo blanco.

#### Punto 2 de la sustitución de aceite: "Si se derrama aceite"

- Si se derrama aceite entre el depósito de combustible y la unidad principal del motor, el aceite se succionará a través de la abertura de entrada de aire, lo que contaminará el motor. Asegúrese de limpiar el aceite derramado antes de empezar a utilizar la herramienta.

## REPOSTAJE

### Manejo del combustible

Tenga el máximo cuidado cuando maneje el combustible. El combustible puede contener sustancias similares a los disolventes. Reposte en una habitación bien ventilada o al aire libre. No inhale el vapor de combustible y evite cualquier contacto con el combustible. El contacto prolongado de la piel con estos productos hará que la piel se reseque, lo que puede provocar enfermedades en la piel o alergias. Si el combustible entra en contacto con los ojos, límpielos con agua potable. Si sus ojos siguen irritados, acuda inmediatamente a un médico.

### Período de almacenamiento del combustible

El combustible debe utilizarse en un período de 4 semanas, aunque se conserve en un contenedor especial a la sombra en una zona bien ventilada.

De lo contrario, el combustible se puede deteriorar en un día.

### ALMACENAMIENTO DE LA MÁQUINA Y DEL DEPÓSITO DE RELLENADO

- Mantenga la máquina y el depósito en un lugar fresco alejado de la luz directa del sol.
- Nunca guarde combustible en un vehículo.

### Combustible

El motor es un motor de cuatro tiempos. Asegúrese de utilizar gasolina de automoción sin plomo de 87 octanos o más ((R+M)/2). No puede contener más de un 10% de alcohol (E-10).

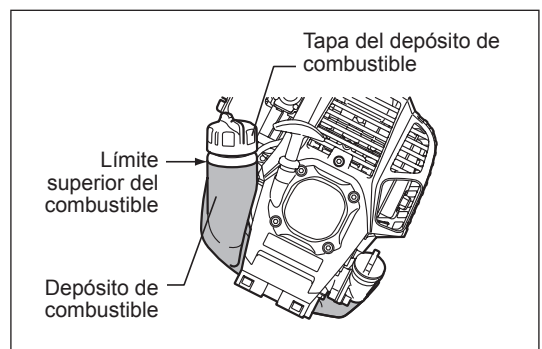
### Observaciones sobre el combustible

- Nunca utilice una mezcla de gasolina que contenga aceite de motor. De lo contrario, provocará una acumulación excesiva de carbonilla o problemas mecánicos.
- El uso de aceite deteriorado provocará un arranque irregular.

### Repostaje

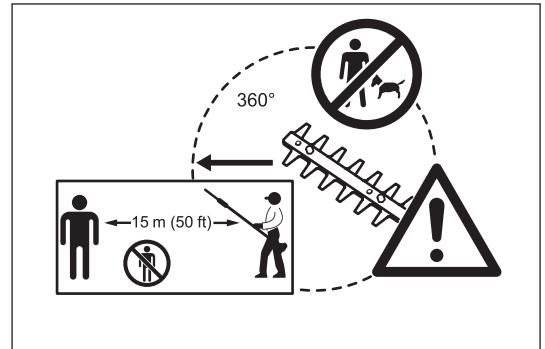
#### ADVERTENCIA: LOS MATERIALES INFLAMABLES ESTÁN EstrictAMENTE PROHIBIDOS

- Afloje la tapa del depósito un poco para reducir la presión del depósito.
  - Suelte la tapa del depósito y reposte, descargando el aire inclinando el depósito de combustible de forma que la abertura de repostaje esté orientada hacia arriba. (NO rellene combustible hasta la parte superior del depósito.)
  - Limpie bien la periferia de la tapa del depósito de combustible para evitar que entren objetos extraños en el depósito de combustible.
  - Tras el repostaje, apriete firmemente la tapa del depósito.
- Si hay defectos o daños en la tapa del depósito, sustitúyala.
  - La tapa del depósito se desgasta con el paso del tiempo. Sustitúyala cada dos o tres años.



## PRECAUCIONES ANTES DE PONER EN MARCHA EL MOTOR

- En todo momento, establezca una zona de seguridad de 15 metros de diámetro alrededor del área de trabajo. Asegúrese de que todas las personas (especialmente los niños) y/o animales permanezcan fuera de esta zona.
- Antes de utilizar el cortasetos de extensión, asegúrese de que la máquina esté en un estado operativo seguro. Asegúrese de que las cuchillas de corte no estén dañadas y compruebe que la palanca de la mariposa de gases se pueda accionar fácilmente. Asegúrese de que las cuchillas de corte no estén en movimiento cuando el motor esté al ralentí. Si la máquina no funciona con normalidad, póngase en contacto con su distribuidor para que la ajuste. Asegúrese de que los asideros estén limpios y secos y pruebe si el interruptor I-O funciona correctamente. Ponga en marcha el motor solamente de acuerdo con las instrucciones que se proporcionan en este manual. No utilice ningún otro método para poner en marcha el cortasetos de extensión.
- Ponga en marcha el motor del cortasetos de extensión solamente después de haber leído y comprendido las instrucciones en su totalidad. Nunca intente poner en marcha un cortasetos de extensión que no se haya ensamblado por completo. De lo contrario, puede sufrir lesiones graves.
- Antes de poner en marcha el motor, asegúrese siempre de que las cuchillas de corte no estén obstruidas por piedras, ramas u otros objetos sólidos.
- Compruebe si en el área de trabajo hay cables, cuerdas, vidrio u otros objetos extraños que pudieran quedar atrapados en las cuchillas de corte.
- Descarga eléctrica: Tenga presentes todas las líneas eléctricas en las inmediaciones. Compruebe toda el área de trabajo en busca de líneas eléctricas y vallas eléctricas antes de iniciar el trabajo.



## ASPECTOS DEL MANEJO Y CÓMO PARAR LA MÁQUINA

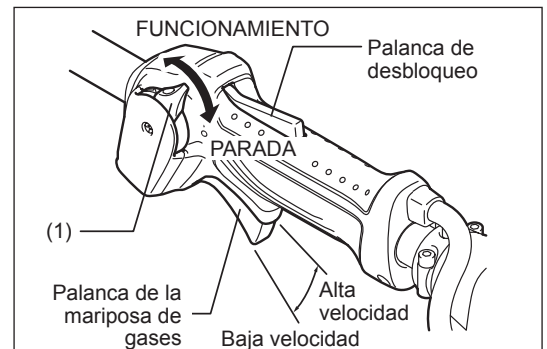
Respete las normativas de prevención de accidentes en vigor.

### ARRANQUE

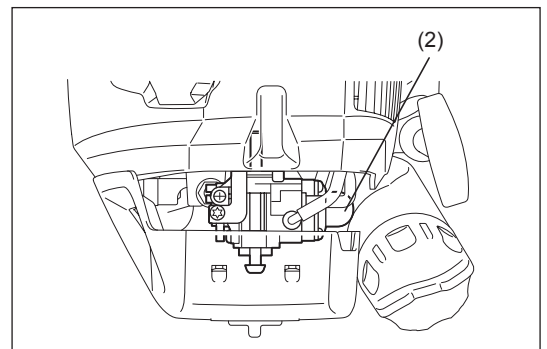
Aléjese 3 m como mínimo del lugar de repostaje. Coloque el cortasetos de extensión sobre un lugar despejado, con cuidado de que las cuchillas de corte no entren en contacto con el suelo u otros objetos.

#### A: Arranque en frío

- 1) Coloque la máquina sobre una superficie plana.
- 2) Ajuste el interruptor I-O (1) en FUNCIONAMIENTO.

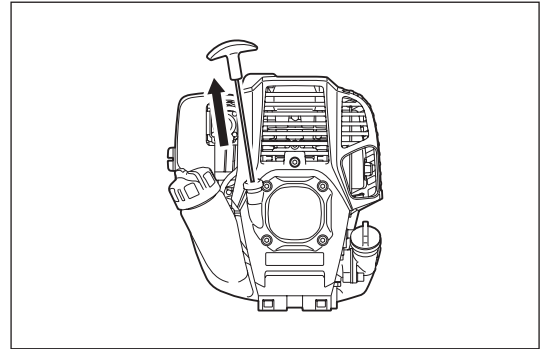


- 3) Bomba de cebado  
Siga accionando la bomba de cebado (2) hasta que el combustible entre en ella. (En general, el combustible entra en la bomba de cebado con 7 a 10 pulsaciones.) Si se acciona la bomba de cebado en exceso, el exceso de gasolina vuelve al depósito de combustible.



- 4) Arrancador de retroceso  
Tire lentamente de la empuñadura de arranque hasta que note cierta resistencia (punto de compresión). A continuación, devuelva la empuñadura de arranque a su posición y tire con fuerza de ella. Nunca tire por completo de la cuerda de arranque. Cuando haya tirado de la empuñadura de arranque, no la suelte inmediatamente. Sujete la empuñadura de arranque hasta que vuelva a su posición original.
- 5) Operación de calentamiento  
Continúe con la operación de calentamiento durante 2 o 3 minutos.

NOTA: Si se produce una entrada excesiva de combustible, extraiga la bujía y tire lentamente de la empuñadura de arranque para eliminar el exceso de combustible. Asimismo, seque la sección del electrodo de la bujía.



**B: Arranque después de la operación de calentamiento**

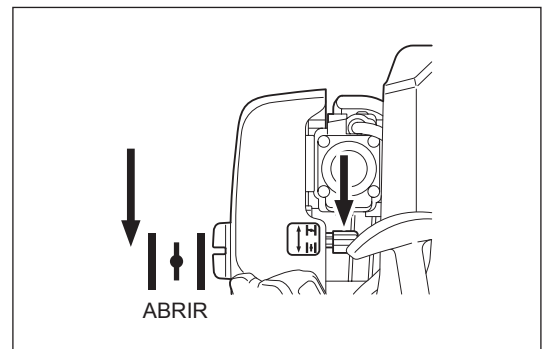
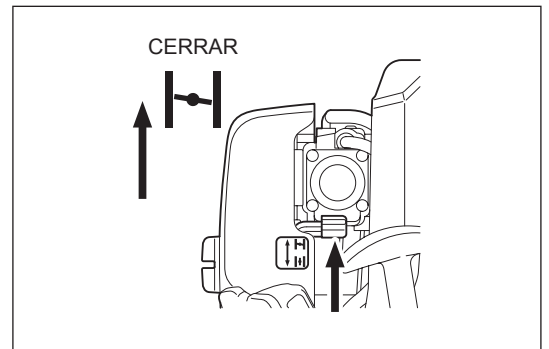
- 1) Repita la pulsación de la bomba de cebado suavemente.
- 2) Mantenga la palanca de la mariposa de gases en la posición de ralentí.
- 3) Tire del arrancador de retroceso con fuerza.
- 4) Si resulta difícil arrancar el motor, abra la mariposa de gases 1/3.  
Preste atención a las cuchillas de cortes, que pueden moverse.

**Algunas veces, como en invierno, cuando resulta difícil poner en marcha el motor, debe utilizar la palanca del estrangulador con el siguiente procedimiento cuando ponga en marcha el motor.**

- Tras aplicar los pasos de arranque 1) a 3), ajuste la posición de la palanca del estrangulador en CERRAR.
- Aplique el paso de arranque 4) y ponga en marcha el motor.
- Cuando haya puesto en marcha el motor, ajuste la palanca del estrangulador en la posición ABRIR.
- Aplique el paso 5) de arranque y complete el calentamiento.

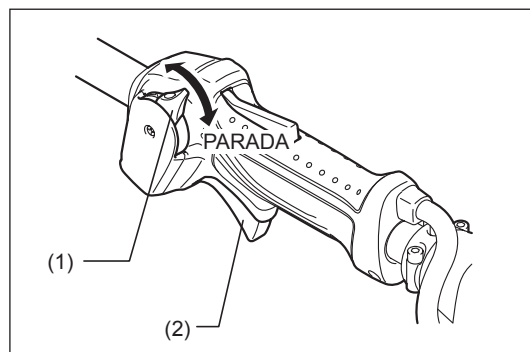
PRECAUCIÓN: Si se oye un estallido (sonido de explosión) y el motor se detiene, o el motor que se acaba de poner en marcha se cala antes de accionar la palanca del estrangulador, devuelva la palanca del estrangulador a la posición ABRIR y tire de la empuñadura de arranque unas cuantas veces para poner en marcha el motor.

PRECAUCIÓN: Si la palanca del estrangulador se coloca en la posición CERRAR y se tira repetidamente de la empuñadura de arranque, se succionará demasiado combustible y el motor tendrá dificultades para ponerse en marcha.



## PARADA

- 1) Suelte la palanca de la mariposa de gases (2) completamente y, cuando se haya reducido la velocidad del motor, ajuste el interruptor I-O (1) en la posición "PARADA" para detener el motor.
- 2) Tenga en cuenta que es posible que el cabezal de corte no se detenga inmediatamente y permita que reduzca su velocidad hasta detenerse.

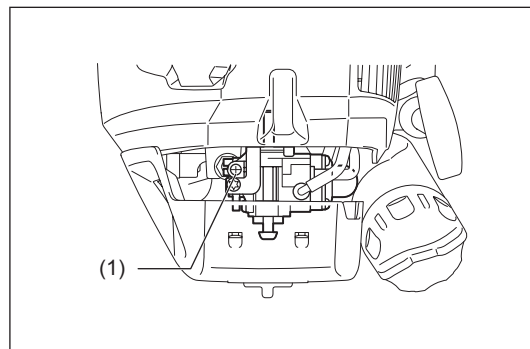


## AJUSTE DE LA ROTACIÓN DE BAJA VELOCIDAD (RALENTÍ)

Cuando sea necesario ajustar la rotación a baja velocidad (ralentí), hágalo mediante el tornillo de ajuste del carburador (1).

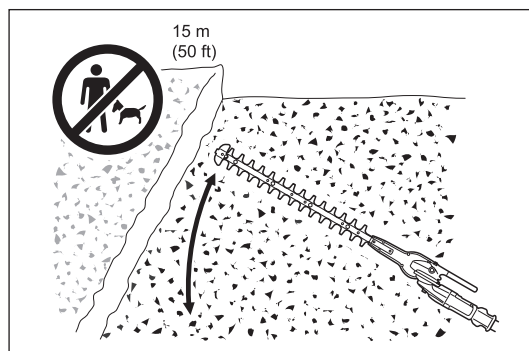
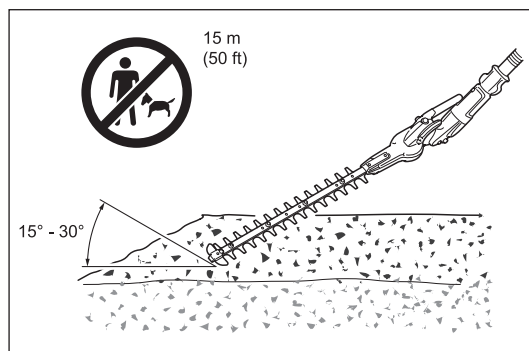
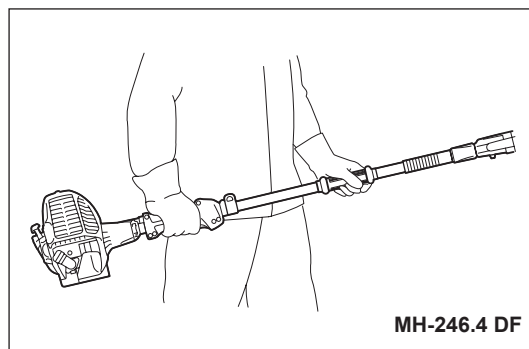
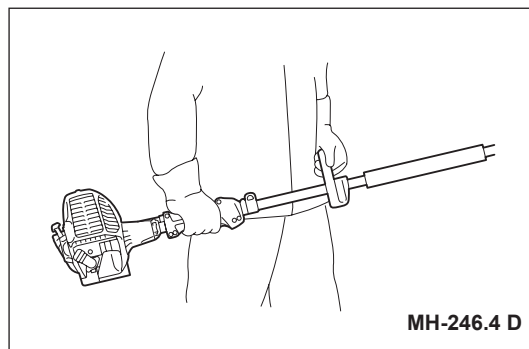
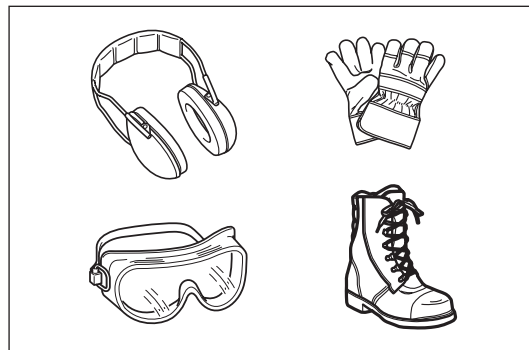
## COMPROBACIÓN DE LA ROTACIÓN A BAJA VELOCIDAD

- Ajuste el giro a baja velocidad en 3.000 rpm (/min). Si es necesario cambiar la velocidad de giro, regule el tornillo de ajuste (1), con un destornillador Phillips.
- Gire el tornillo de ajuste hacia la derecha y la velocidad del motor aumentará. Gire el tornillo de ajuste a la izquierda y se reducirá la velocidad del motor.
- El carburador se suele ajustar antes del envío. Si se debe reajustar, póngase en contacto con un centro de servicio autorizado.



## UTILIZACIÓN DEL CORTASETOS DE EXTENSIÓN

- No toque la parte de la cuchilla de corte del cortasetos de extensión durante las operaciones o cuando el motor esté en marcha.
- Tenga especial cuidado de no inhalar los gases de escape cuando trabaje con el cortasetos de extensión. Nunca utilice el cortasetos de extensión en un espacio cerrado o un área con ventilación insuficiente (riesgo de asfixia e intoxicación por gas). Tenga en cuenta que el monóxido de carbono es un gas inodoro que no se puede detectar mediante el sentido del olfato.
- Utilice siempre un equipo de protección adecuado antes de empezar a trabajar con el cortasetos de extensión.
- Detenga el motor inmediatamente si el silenciador no funciona correctamente.
- Utilice el cortasetos de extensión únicamente en buenas condiciones de iluminación y visibilidad.
- No utilice el cortasetos de extensión en condiciones de oscuridad o niebla.
- Tenga cuidado con las zonas resbaladizas o húmedas (hielo y nieve) durante las estaciones frías (peligro de resbalar) y asegúrese siempre de tener una posición segura.
- Nunca utilice el cortasetos de extensión mientras permanece de pie sobre una superficie inestable o en una fuerte pendiente.
- Nunca utilice el cortasetos de extensión mientras esté sobre una escalera.
- Nunca se suba a un árbol para utilizar el cortasetos de extensión desde él.
- Compruebe continuamente si en el área de trabajo hay cables, cuerdas, vidrio u otros objetos extraños que pudieran quedar atrapados en las cuchillas de corte.
- Asegúrese de que las cuchillas de corte estén en rápido movimiento antes de iniciar el corte.
- Sujete siempre el cortasetos de extensión con ambas manos y mantenga un firme agarre cuando trabaje con la máquina.
- Para garantizar un control óptimo del cortasetos de extensión, rodee los asideros completamente con las manos (utilice el pulgar para contrarrestar la presión) y aplique un firme agarre sobre los asideros.
- Tenga en cuenta que las cuchillas de corte continuarán en movimiento durante un máximo de dos segundos tras soltar la palanca de la mariposa de gases.
- No corte con el cortasetos de extensión a una baja velocidad del motor.
- La velocidad de las cuchillas de corte no se puede ajustar correctamente con la palanca de la mariposa de gases cuando el motor funciona a baja velocidad.
- Para recortar la superficie de un seto, primero debe alinear las cuchillas de corte en un ángulo de 15° - 30° en la dirección de corte y mantener el cortasetos de extensión en una posición horizontal. A continuación, empiece a recortar el seto realizando un movimiento pendular, como si dibujara segmentos de círculos con el eje del cortasetos.
- Para recortar los lados de un seto, alinee las cuchillas en paralelo con la superficie que desea cortar e inicie el corte con movimientos semicirculares hacia arriba (desde abajo hacia arriba).
- Preste atención cuando corte un seto que esté dispuesto cerca o a lo largo de una valla alambrada.
- No toque objetos duros tales como vallas, piedra o suelo con las cuchillas de corte. Se pueden provocar grietas, astillas o roturas.
- No utilice el cortasetos de extensión durante un período de tiempo prolongado. Como regla general, por cada 50 minutos de uso, realice un descanso de 10-20 minutos.
- Si las cuchillas de corte entran en contacto con piedras u otros objetos sólidos, detenga el motor inmediatamente y compruebe si las cuchillas están dañadas. Sustituya las cuchillas si están dañadas.
- Si el cortasetos de extensión sufre un problema durante las operaciones (ruidos extraños, vibración, etc.) detenga inmediatamente el motor. No vuelva a utilizar la máquina hasta que el problema se haya reconocido y solucionado.
- Haga siempre todo lo que pueda para mantener la contaminación y las emisiones de ruido tan bajas como sea posible cuando utilice el cortasetos de extensión. Preste especial atención al correcto ajuste del carburador.
- Si se atascan ramas gruesas en las cuchillas de corte, detenga inmediatamente el motor, deje el equipo en el suelo y despeje la obstrucción. Compruebe si las cuchillas están dañadas antes de volver a utilizar la máquina.





## Ajuste del ángulo de corte

### Advertencia:

- No utilice la herramienta con la unidad de corte floja o inestable.

Puede ajustar el ángulo de corte hacia arriba 45° y hacia abajo 90°.

1. Detenga el motor del cortasetos de extensión y deje la máquina en el suelo.
2. Para ajustar el ángulo de la unidad de corte, sujete el asidero (A) de la unidad de corte con una mano y sujete el mecanismo de bloqueo del ángulo (B), tal y como se ilustra, con la otra mano.
3. Tire del mecanismo de bloqueo del ángulo suavemente y cambie el ángulo de la unidad de corte. Tras ajustar el ángulo, devuelva el mecanismo de bloqueo del ángulo suavemente.

### Nota:

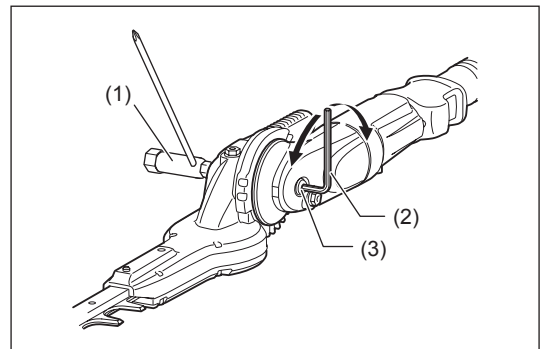
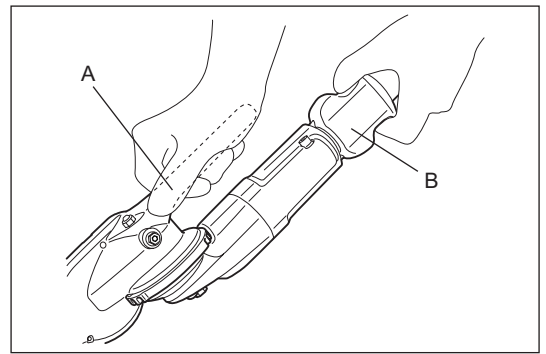
- La unidad de corte solamente se acopla con algunos ángulos en la ranura de la unidad. Asegúrese de que la unidad de corte se asiente correctamente. Si el ángulo no es el adecuado, el embrague se desacopla y la herramienta no funciona.
- No ajuste la unidad de corte mientras el cortasetos de extensión esté en posición vertical.
- Mueva el interruptor I-O a la posición "O" y deje el cortasetos de extensión plano en el suelo para ajustar el ángulo de corte.
- Fije siempre las cuchillas con la cubierta de las cuchillas que se proporciona antes de ajustar el ángulo de corte.

Si la unidad de corte se afloja, el perno (el eje de ajuste del ángulo) debe apretarse.

1. Coloque la llave de tubo (1) y la llave hexagonal (2) en el perno (3).
2. Ajuste el apriete de la unidad de corte girando la llave hexagonal y después apriete el perno girando la llave de tubo.

### Nota:

- No apriete demasiado la unidad de corte. El ángulo de la unidad de corte no se puede cambiar si está demasiado apretada.



## MANTENIMIENTO

- Antes de realizar cualquier trabajo de mantenimiento en la cuchilla de corte del cortasetos de extensión (limpieza de la cuchilla, etc.), detenga siempre el motor y espere hasta que se haya enfriado. Como precaución de seguridad adicional, retire siempre el capuchón de la bujía.
- No intente enderezar o soldar cuchillas de corte dobladas o rotas. Sustituya siempre las cuchillas dañadas.
- Detenga el motor periódicamente para comprobar si existen daños en las cuchillas de corte (realice una prueba de resonancia a la percusión para detectar grietas del grosor de un cabello difíciles de detectar). Asegúrese siempre de que los dientes de las cuchillas estén afilados.
- Limpie el cortasetos de extensión periódicamente. Durante la limpieza compruebe también que todos los tornillos, las tuercas y los pernos estén bien apretados.
- Para reducir el riesgo de incendio, nunca repare ni almacene el cortasetos de extensión cerca de llamas abiertas.
- Utilice siempre guantes de protección robustos cuando maneje las cuchillas de corte.
- Póngase en contacto con su distribuidor para obtener cuchillas de corte de repuesto.
- Nunca utilice gasolina, benceno, disolvente, alcohol o un producto similar para la limpieza. Se puede provocar una decoloración, una deformación o grietas.

### Afilado de la cuchilla

Si las cuchillas de corte se han desafilado, haga que un agente de servicio autorizado las afile.

### Ajuste de la holgura de las cuchillas

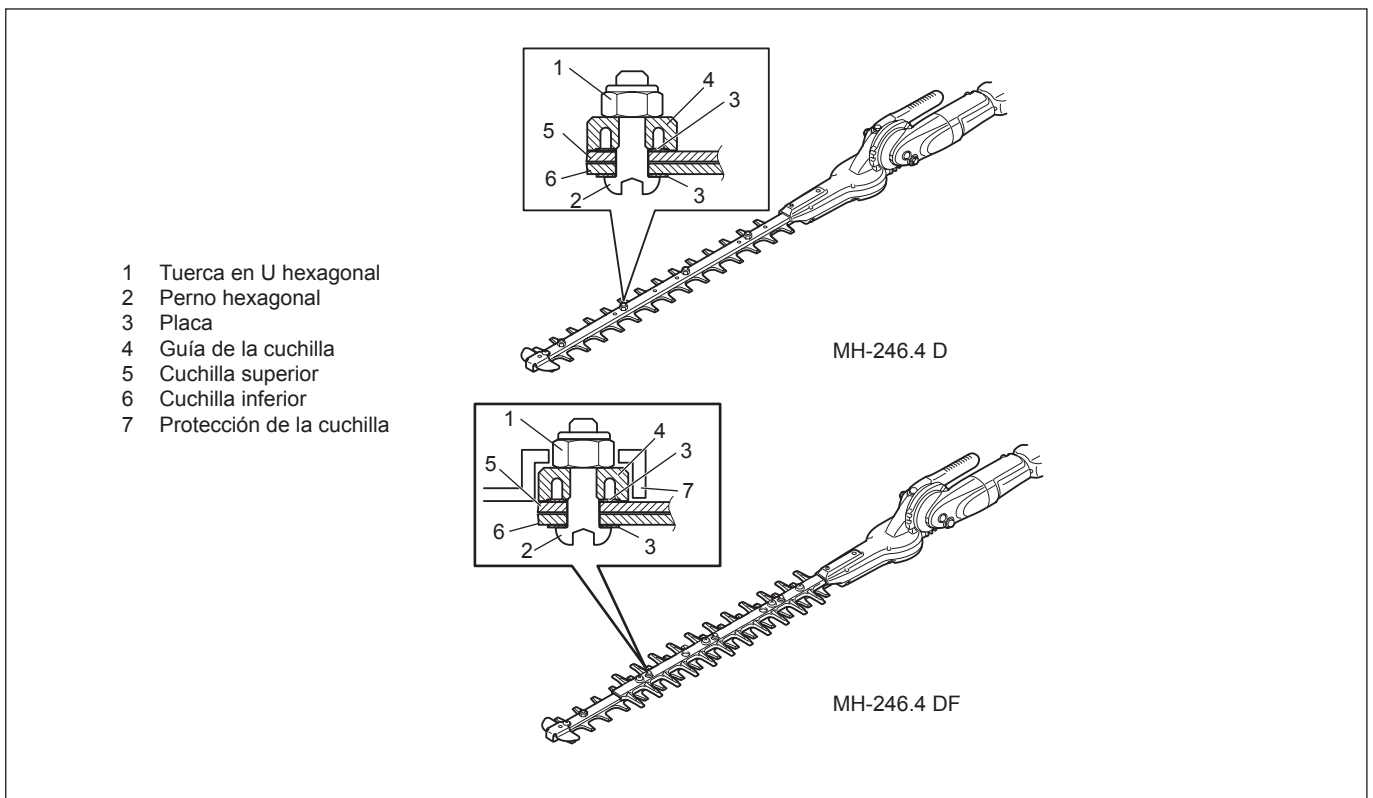
Las cuchillas superiores/inferiores se desgastan gradualmente tras las operaciones. Si detecta que el corte no es tan bueno como cuando las cuchillas eran nuevas, ajústelas de la siguiente manera.

El apriete del perno hexagonal de armadura decide la holgura de las cuchillas. La tuerca sujeta el perno hexagonal de armadura con un grado de apriete. Un exceso de holgura provoca un corte despuntado, pero una holgura demasiado pequeña provoca un calentamiento innecesario y un desgaste prematuro de las cuchillas.

1. Afloje la tuerca (1) con una llave de vaso o una llave inglesa.
2. Apriete el perno hexagonal de armadura (2) con una llave hexagonal ligeramente hasta que se detenga. A continuación, vuelva a atornillarlo entre un cuarto de vuelta y media vuelta para lograr la holgura necesaria.
3. Apriete la tuerca (1), sujetando el perno hexagonal de armadura (2).
4. Lubrique la superficie de fricción de las cuchillas con aceite ligero.
5. Ponga en marcha el motor y abra y cierre la mariposa de gases del motor durante un minuto.
6. Pare el motor y toque la superficie. Si no están demasiado calientes como para tocarlas, ha realizado el ajuste correcto. Si están demasiado calientes para tocarlas, afloje el perno hexagonal (2) un poco más y repita los pasos 5 a 6.

NOTA: Antes de realizar el ajuste, detenga el motor y espere a que se detengan las cuchillas.

Las cuchillas tienen una ranura alrededor del perno hexagonal de armadura (2). Si encuentra polvo en cualquiera de las ranuras, límpielo.

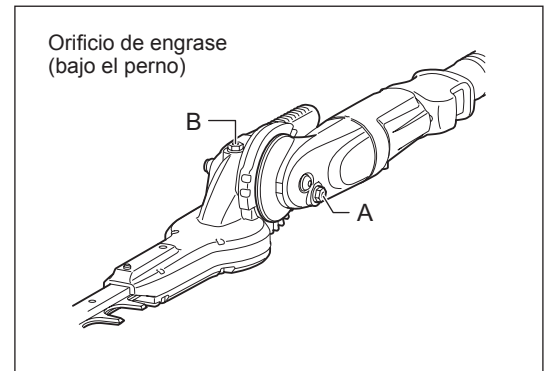


## Adición de grasa y lubricante

**Importante: Asegúrese de que la superficie de la caja de engranajes esté completamente fría antes de la lubricación.**

- La caja de engranajes del cortasetos de extensión se debe engrasar cada 25 horas de trabajo. El orificio de engrase se encuentra debajo del perno. Retire el perno para la lubricación. Añada aprox. 3 g (4 cc) de lubricante al punto A de la caja de engranajes y 5 g (7 cc) de lubricante al punto B respectivamente, mediante los orificios de engrase. Vuelva a colocar el perno tras la lubricación. Tras rellenar con la cantidad de grasa correcta, saldrá un poco de grasa de la base de la cuchilla durante el primero uso.

**PRECAUCIÓN:** Respete los intervalos de engrase y la cantidad de grasa que se debe suministrar.  
Las partes mecánicas del cortasetos de extensión se pueden dañar si no se suministra grasa en los intervalos indicados o si se añade una cantidad de grasa insuficiente.



## Inspección diaria y mantenimiento

Para garantizar una prolongada vida útil del cortasetos de extensión, realice las siguientes inspecciones y tareas de mantenimiento diariamente.

- Antes del uso;
  - Compruebe siempre si faltan piezas o si están sueltas antes de iniciar las operaciones. Preste especial atención a la unidad de corte y asegúrese de que los tornillos de bloqueo de la cuchilla de corte estén bien apretados.
  - Compruebe si hay alguna obstrucción en los conductos de aire de refrigeración y las aletas de refrigeración del cilindro antes de iniciar las operaciones. Límpiela si es necesario.
- Después del uso;
  - Limpie el cortasetos de extensión externamente y busque si hay daños.
  - Limpie el filtro de aire. Limpie el filtro varias veces al día si trabaja en condiciones extremadamente polvorientas.
  - Compruebe si hay daños en las cuchillas de corte. Asegúrese de que las cuchillas se hayan montado de forma segura.
  - Si las cuchillas de corte todavía continúan funcionando al ralentí tras el ajuste, consulte con el agente de servicio autorizado más cercano.

## SUSTITUCIÓN DEL ACEITE DEL MOTOR

El aceite de motor deteriorado acortará en gran medida la duración de las partes deslizantes y giratorias. Asegúrese de comprobar el período y la cantidad de reemplazo.



**PELIGRO:** En general, la unidad principal del motor y el aceite de motor permanecen calientes después de apagar el motor. Al reemplazar el aceite, asegúrese de que la unidad principal del motor y el aceite de motor se hayan enfriado suficientemente. De lo contrario, puede haber un riesgo de quemaduras. Deje suficiente tiempo tras parar el motor para que el aceite del motor vuelva al depósito del aceite para asegurar una lectura precisa del indicador del nivel de aceite.

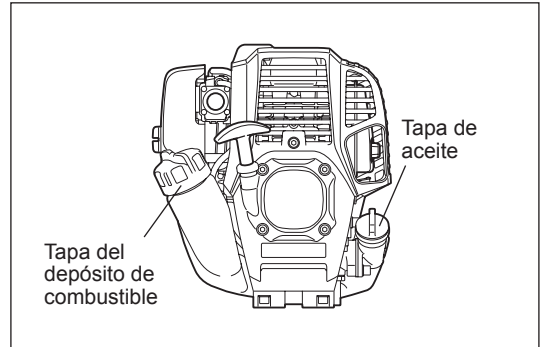
**NOTA:** Si se llena aceite por encima del límite, puede ensuciarse o incendiarse y provocar un humo blanco.

**Intervalo de sustitución:** Después de las primeras 20 horas de funcionamiento, seguidas por el intervalo de cada 50 horas de funcionamiento

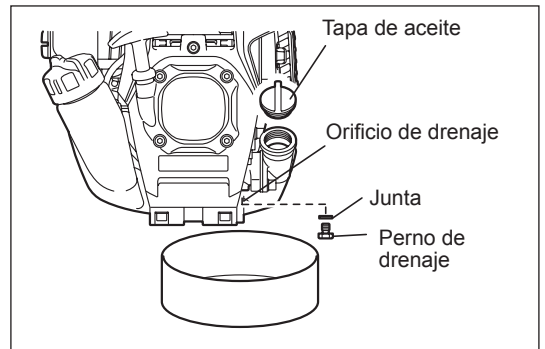
**Aceite recomendado:** Aceite SAE10W-30 de Clasificación API Clase SF o superior (aceite de motor de 4 tiempos para automoción)

Para el reemplazo, siga este procedimiento.

- 1) Asegúrese de que la tapa del depósito de combustible esté apretada de forma segura.
- 2) Coloque un contenedor grande (bandeja, etc.) debajo del orificio de drenaje.



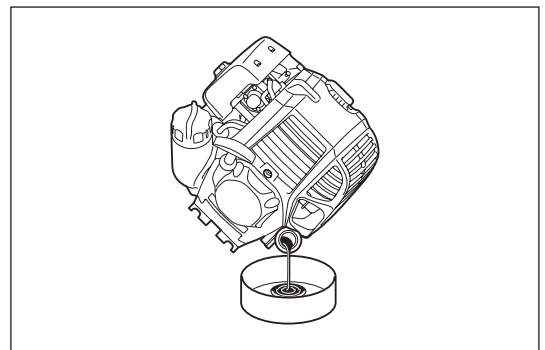
- 3) Retire el perno de drenaje y la tapa de aceite para drenar el aceite por el orificio de drenaje. En este punto, asegúrese de no perder la junta del perno de drenaje y de no ensuciar ninguno de los componentes retirados.
- 4) Cuando se haya drenado todo el aceite, combine la junta y el perno de drenaje y apriete firmemente el perno de drenaje, de forma que no se afloje y no provoque fugas.  
\* Utilice un paño para limpiar el aceite que pueda haber quedado en el perno y el equipo.



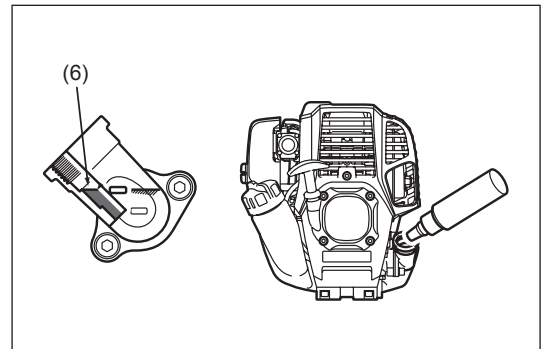
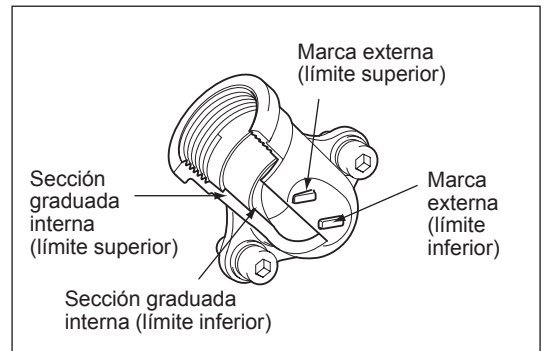
### Método de drenaje alternativo

Retire la tapa de aceite, incline el cortasetos de extensión hacia el orificio de llenado de aceite y drene el aceite.

Recoja el aceite en el contenedor.



- 5) Coloque el motor en una posición nivelada y rellene gradualmente hasta la marca de límite superior (6) con aceite nuevo.
- 6) Tras el llenado, apriete firmemente la tapa de aceite, de forma que no se afloje y no provoque fugas. Si la tapa de aceite no se aprieta firmemente, puede provocar fugas.



#### ASPECTOS SOBRE EL ACEITE

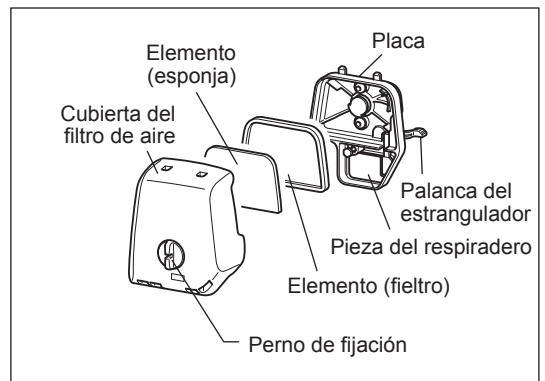
- Nunca deseche el aceite de motor reemplazado en la basura convencional, en el suelo o en la red de alcantarillado. La eliminación de los desechos de aceite está regulada por ley. Para eliminar esos desechos, siga las leyes y normativas aplicables. Si tiene alguna duda, póngase en contacto con un agente de servicio autorizado.
- El aceite se deteriorará aunque se guarde sin utilizar. Realice la inspección y el reemplazo a intervalos periódicos (reemplace con aceite nuevo cada 6 meses).

#### Limpieza del filtro de aire

##### PELIGRO: Los materiales inflamables están estrictamente prohibidos

Compruebe y limpie el filtro de aire diariamente o cada 10 horas de funcionamiento.

- Gire la palanca del estrangulador hasta el lado de cierre total y mantenga el carburador alejado del polvo o de la suciedad.
- Afloje el perno de fijación.
- Retire la cubierta del filtro de aire tirando de su lado inferior.
- Retire los elementos y golpéelos suavemente para eliminar la suciedad.
- Si los elementos están muy contaminados: retírelos, sumérjalos en agua templada o en detergente neutro diluido y séquelos completamente. No los apriete ni los frote cuando los limpie.
- Antes de acoplar los elementos, asegúrese de secarlos completamente. Un secado insuficiente de los elementos puede provocar dificultades para arrancar.
- Retire el aceite adherido alrededor de la cubierta del filtro de aire y la pieza del respiradero con un paño desechable.
- Encaje el elemento (esponja) en el elemento (fieltro).
- Encaje los elementos en la placa de forma que la esponja esté orientada hacia la cubierta del filtro de aire.
- Acople inmediatamente la cubierta del filtro y apriétela con pernos de fijación. (Para volver a montar, primero coloque el gancho superior y después el gancho inferior.)



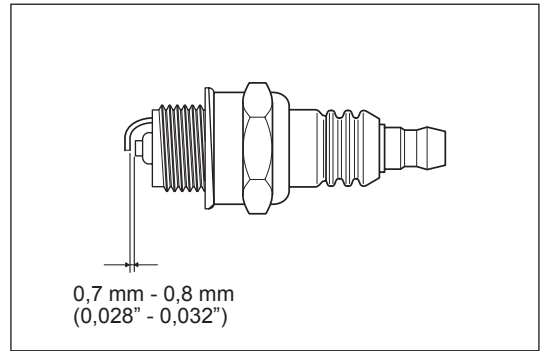
#### AVISO:

- Limpie los elementos varias veces al día si se adhiere a ellos un exceso de suciedad. Los elementos sucios reducen la potencia del motor y dificultan el arranque del motor.
- Retire el aceite de los elementos. Si se continúa con el uso sin limpiar de aceite los elementos, el aceite del filtro de aire puede caer en el exterior y provocar contaminación del medio ambiente.
- No coloque los elementos en el suelo o en un lugar sucio. Si lo hace, se ensuciarán o acumularán residuos y el motor se puede dañar.
- Nunca utilice combustible para limpiar los elementos. El combustible puede dañarlos.

### COMPROBACIÓN DE LA BUJÍA

- Utilice solamente la llave de vaso suministrada para quitar o poner la bujía.
- La holgura entre los dos electrodos de la bujía debe ser de 0,7 a 0,8 mm (0,028" - 0,032"). Si la holgura es demasiado grande o pequeña, ajústela. Si la bujía está obstruida o contaminada, límpiela minuciosamente o reemplácela.

**PRECAUCIÓN:** Nunca toque el conector de la bujía mientras el motor está funcionando (peligro de recibir una descarga eléctrica de alta tensión).



### Limpieza del filtro de combustible (cabezal de succión en el depósito de combustible)

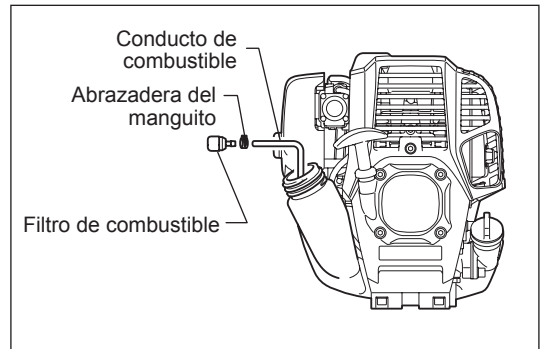
#### ADVERTENCIA: LOS MATERIALES INFLAMABLES ESTÁN EstrictAMENTE PROHIBIDOS

Compruebe y limpie el filtro de combustible mensualmente o cada 50 horas de funcionamiento.

Compruebe el filtro de combustible periódicamente. Para comprobar el filtro de combustible, siga estos pasos.

- (1) Retire la tapa del depósito de combustible y drene el combustible hasta vaciar el depósito. Compruebe si hay materiales extraños en el interior del depósito. Compruebe si hay materiales extraños en el interior del depósito.
- (2) Extraiga el cabezal de succión mediante un gancho de alambre a través de la apertura del depósito.
- (3) Si el filtro de combustible está ligeramente obstruido, límpielo. Para limpiarlo, sacúdalo y golpéelo suavemente en combustible. Para evitar daños, no lo apriete ni lo frote. El combustible que se utiliza para la limpieza se debe desechar de acuerdo con el método especificado por la legislación de su país. Si el filtro de combustible se ha endurecido o está muy obstruido, sustitúyalo.
- (4) Tras comprobarlo, limpiarlo o sustituirlo, empuje el filtro de combustible completamente hasta el fondo del depósito de combustible.

Un filtro de combustible obstruido o dañado puede provocar un suministro insuficiente de combustible y puede reducir la potencia del motor. Sustituya el filtro de combustible como mínimo trimestralmente para garantizar un suministro de combustible satisfactorio al carburador.



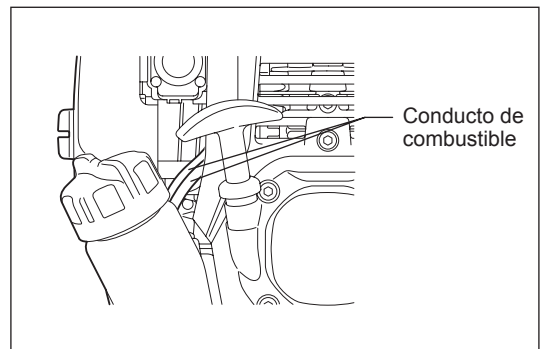
### Sustitución del conducto de combustible

#### PRECAUCIÓN: Los materiales inflamables están estrictamente prohibidos

Compruebe y limpie el conducto de combustible diariamente o cada 10 horas de funcionamiento.

Sustituya el conducto de combustible cada 200 horas de funcionamiento o cada año independientemente de la frecuencia de funcionamiento. De lo contrario, puede producirse una fuga de combustible que puede provocar un incendio.

Si se detecta una fuga durante la inspección, reemplace el conducto de combustible inmediatamente.



### INSPECCIÓN DE LOS PERNOS, LAS TUERCAS Y LOS TORNILLOS

- Reapriete los pernos, tuercas y demás elementos flojos.
- Compruebe si hay fugas de combustible y aceite.
- Reemplace las piezas dañadas con piezas nuevas para garantizar un uso seguro.

### LIMPIEZA DE LAS PIEZAS

- Mantenga limpio el motor con un paño de trapo.
- Mantenga las aletas del cilindro libres de polvo o suciedad. El polvo o la suciedad adheridos a las aletas provocarán el gripado del pistón.

### REEMPLAZO DE LAS JUNTAS Y RETENES

Reemplace las juntas y los retenes si se desmonta el motor.

Para cualquier mantenimiento o ajuste no descrito en este manual, consulte con su centro de servicio técnico autorizado de DOLMAR.

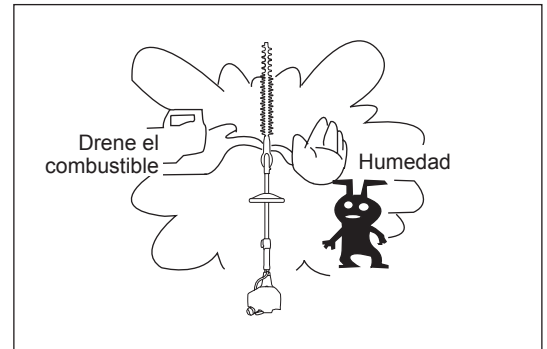
## ALMACENAMIENTO

**ADVERTENCIA:** Cuando drene el combustible, detenga el motor y espere a que se enfríe.

De lo contrario se pueden producir quemadura o un incendio.

**ATENCIÓN:** Cuando guarde la herramienta durante mucho tiempo, drene todo el combustible del depósito de combustible y el carburador y manténgalo en un lugar seco y limpio.

- Drene el combustible del depósito de combustible y del carburador de acuerdo con el siguiente procedimiento:
- 1) Extraiga la tapa del depósito de combustible y drene el combustible completamente.  
Si queda algún objeto extraño en el depósito de combustible, retírelo completamente.
- 2) Extraiga el filtro de combustible de la abertura de rellenado mediante un alambre.
- 3) Presione la bomba de cebado hasta que se haya drenado el combustible y drene el combustible que entra en el depósito de combustible.
- 4) Vuelva a colocar el filtro en el depósito de combustible y fije firmemente la tapa del depósito de combustible.
- 5) A continuación, continúe con la máquina encendida hasta que el motor se detenga.
- Extraiga la bujía y aplique varias gotas de aceite de motor a través del orificio de la bujía.
- Tire suavemente de la empuñadura de arranque para que el aceite de motor se extienda por el motor y, a continuación, vuelva a colocar la bujía.
- Monte la cubierta en las cuchillas de corte.
- En general, almacene la máquina en posición horizontal. Si no es posible, coloque la máquina con la unidad del motor debajo de la herramienta de corte. De lo contrario, se puede verter aceite de motor del interior.
- Preste siempre atención al almacenamiento de la máquina en un lugar seguro para evitar daños a la máquina y daños personales.
- Conserve el combustible drenado en un contenedor especial, en una zona bien ventilada y a la sombra.



### Atención tras un almacenamiento prolongado

- Antes de poner en marcha la herramienta tras estar apagada durante un período de tiempo prolongado, asegúrese de reemplazar el aceite (consulte la P140). El aceite se deteriorará durante el tiempo que la máquina haya permanecido sin utilizar.

Elemento	Tiempo de funcionamiento		Antes del uso	Diariamente (10 h)	25 h	50 h	200 h	Apagado/ descanso	P correspondiente
Aceite de motor	Inspeccione/ limpie		○						131
	Debe sustituirse					○ <sup>*1</sup>			140
Apretar piezas (perno, tuerca)	Inspeccione		○						142
Depósito de combustible	Limpie/ inspeccione		○						-
	Drene el combustible							○ <sup>*3</sup>	143
Palanca de la mariposa de gases	Compruebe el funcionamiento		○						133
Interruptor de parada	Compruebe el funcionamiento		○						133, 135
Cuchillas de corte	Inspeccione		○	○					133, 138
Rotación a baja velocidad	Inspeccione/ ajuste			○					135
Filtro de aire	Limpie			○					141
Bujía	Inspeccione			○					142
Conducto de aire de refrigeración	Limpie/ inspeccione			○					142
Conducto de combustible	Inspeccione			○					142
	Debe sustituirse						◎ <sup>*2</sup>		-
Grasa de la caja de engranajes	Rellene				○				139
Filtro de combustible	Limpie/ Reemplace					○			142
Holgura entre la válvula de entrada de aire y la válvula de descarga de aire	Ajuste						◎ <sup>*2</sup>		-
Revisión del motor							◎ <sup>*2</sup>		-
Carburador	Drene el combustible							○ <sup>*3</sup>	143

\*1 Realice el reemplazo inicial tras 20 horas de uso.

\*2 Para la inspección de las 200 horas de uso, contacte con un Agente de servicio autorizado o un taller mecánico.

\*3 Tras vaciar el depósito de combustible, continúe haciendo funcionar el motor y drene el combustible del carburador.



## LOCALIZACIÓN Y SOLUCIÓN DE AVERÍAS

Antes de realizar una solicitud de reparación, compruebe usted mismo el problema. Si encuentra una anomalía, controle la máquina de acuerdo con la descripción de este manual. Nunca manipule ni desmonte ninguna pieza de forma contraria a la descripción. Si es necesario realizar reparaciones, póngase en contacto con un agente de servicio autorizado o un distribuidor local.

Estado anómalo	Causa probable (mal funcionamiento)	Solución
El motor no se enciende	No se ha accionado la bomba de cebado	Púlsela de 7 a 10 veces
	Se ha tirado del cable del arrancador a baja velocidad	Tire con fuerza
	Falta de combustible	Reposte combustible
	Filtro de combustible obstruido	Limpie
	Tubo de combustible roto	Enderece el tubo de combustible
	Combustible deteriorado	El combustible deteriorado hace que la puesta en marcha sea más difícil. Reemplácelo con uno nuevo. (Reemplazo recomendado: 1 mes)
	Succión de combustible excesiva	Ajuste la palanca de la mariposa de gases entre una velocidad media y alta y tire de la empuñadura de arranque hasta que se ponga en marcha el motor. <b>Cuando se haya puesto en marcha el motor, las cuchillas de corte empezarán a girar. Preste atención a las cuchillas de corte.</b> Si el motor sigue sin encenderse, extraiga la bujía, seque el electrodo y vuelva a montarla en su posición original. A continuación, arranque como se ha especificado.
	Tapa de la bujía suelta	Acóplela firmemente
	Bujía sucia	Limpie
	Holgura anómala de la bujía	Ajústela
	Otras anomalías de la bujía	Debe sustituirse
	Anomalía del carburador	Solicite que se realice la inspección y mantenimiento.
	No se puede tirar de la cuerda del arrancador	Solicite que se realice la inspección y mantenimiento.
Anomalía del sistema de transmisión	Solicite que se realice la inspección y mantenimiento.	
El motor se para al poco tiempo La velocidad del motor no aumenta	Calentamiento insuficiente	Realice la operación de calentamiento
	La palanca del estrangulador está ajustada en "H" aunque el motor se ha calentado	Ajústela en "III"
	Filtro de combustible obstruido	Debe limpiarse o sustituirse
	Filtro de aire sucio u obstruido	Limpie
	Anomalía del carburador	Solicite que se realice la inspección y mantenimiento.
	Anomalía del sistema de transmisión	Solicite que se realice la inspección y mantenimiento.
La cuchilla de corte no se mueve ↓ Pare el motor inmediatamente	Ángulo de la unidad de corte inapropiado	Asegúrese de que el mecanismo de bloqueo del ángulo se active correctamente.
	La tuerca de apriete de las cuchillas de corte se ha aflojado	Apriétela firmemente
	Ramas pequeñas atrapadas por las cuchillas de corte.	Retire los objetos extraños
	Anomalía del sistema de transmisión	Solicite que se realice la inspección y mantenimiento.
	Anomalía del sistema de transmisión	Solicite que se realice la inspección y mantenimiento.
La unidad principal vibra de forma anómala ↓ Pare el motor inmediatamente	Las cuchillas de corte están rotas, dobladas o gastadas	Reemplace las cuchillas de corte
	La tuerca de apriete de las cuchillas de corte se ha aflojado	Apriétela firmemente
	Anomalía del sistema de transmisión	Solicite que se realice la inspección y mantenimiento.
Las cuchillas de corte no se detienen inmediatamente ↓ Pare el motor inmediatamente	Rotación al ralentí elevada	Ajuste
	Se ha soltado el cable de la mariposa de gases	Acóplelo firmemente
	Anomalía del sistema de transmisión	Solicite que se realice la inspección y mantenimiento.
El motor no se para ↓ Haga funcionar el motor al ralentí y ajuste la palanca del estrangulador en "H"	Conector desconectado	Acóplelo firmemente
	Anomalía del sistema eléctrico	Solicite que se realice la inspección y mantenimiento.

Cuando el motor no se ponga en marcha tras la operación de calentamiento:

Si no hay ninguna anomalía en los elementos comprobados, abra la mariposa de gases 1/3 y ponga en marcha el motor.

## Português

(Instruções de origem)

Obrigado por ter escolhido o aparador de cerca-viva da DOLMAR. Temos o prazer de oferecer um produto que é o resultado de um vasto programa de desenvolvimento e de muitos anos de conhecimento e experiência.

Para obter de forma segura os melhores resultados possíveis do seu aparador de cerca-viva DOLMAR, leia atentamente este manual antes de utilizar a máquina e siga todas as instruções para garantir um funcionamento adequado do aparador de cerca-viva DOLMAR.



## Índice

## Página

Símbolos.....	146
Instruções de segurança .....	147
Dados técnicos.....	152
Designação de peças .....	153
Montagem.....	154
Alça de ombro (acessório opcional).....	154
Combustível/reabastecimento de combustível.....	155
Precauções antes de ligar o motor.....	157
Utilizar o aparador de cerca-viva.....	160
Manutenção.....	162
Armazenamento .....	167
Resolução de problemas.....	169

## SÍMBOLOS

Preste atenção aos símbolos seguintes ao ler este manual de instruções.

	AVISO/PERIGO		Cuidado para não prender os dedos
	Antes da utilização, leia atentamente e compreenda as instruções neste manual		Tenha cuidado com as linhas eléctricas, risco de choques eléctricos
	INTERDIÇÃO		Combustível (Gasolina)
	Proibido fumar		Arranque manual do motor
	Sem chamas livres		Paragem de emergência
	Use calçado de protecção		Primeiros-socorros
	Use luvas de protecção		LIGAR/ARRANCAR
	Mantenha a área de trabalho livre de pessoas e animais		DESLIGAR/PARAR
	Use um capacete e protecção para os olhos e ouvidos		

# INSTRUÇÕES DE SEGURANÇA

## Instruções gerais

- Antes da utilização, leia atentamente este manual e familiarize-se com o manuseamento correcto do aparador de cerca-viva. ESTE EQUIPAMENTO PODE CAUSAR FERIMENTOS GRAVES SE FOR UTILIZADO INCORRECTAMENTE!
- Forneça sempre instruções detalhadas sobre como utilizar correctamente o aparador de cerca-viva ao emprestar o equipamento a outra pessoa. Certifique-se de que o manual de instruções é entregue juntamente com o aparador de cerca-viva.
- Os utilizadores principiantes devem solicitar instruções básicas ao fornecedor relativamente ao manuseamento correcto do aparador de cerca-viva.
- Guarde este manual numa localização facilmente acessível, para referência rápida.
- Não permita que pessoas com idades inferiores a 18 anos utilizem o aparador de cerca-viva. No entanto, os indivíduos com mais de 16 anos de idade podem utilizar o aparador de cerca-viva, com a constante supervisão de um familiar adulto, para fins de formação relativamente ao funcionamento do aparador de cerca-viva.
- Utilize sempre o aparador de cerca-viva com o máximo de cuidado e atenção.
- Nunca tente modificar o implemento.
- Siga as regulamentações sobre o manuseamento de aparadores de cerca-viva no seu país.
- Podem ocorrer ferimentos graves se o aparador de cerca-viva for utilizado nas circunstâncias seguintes. Não utilize o aparador de cerca-viva:
  - Quando se sentir cansado ou doente.
  - Após o consumo de álcool e/ou medicamentos.
  - À noite ou em condições de iluminação fraca.
  - Durante a gravidez.

## Utilização prevista

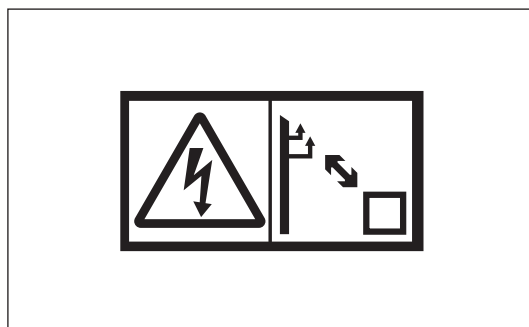
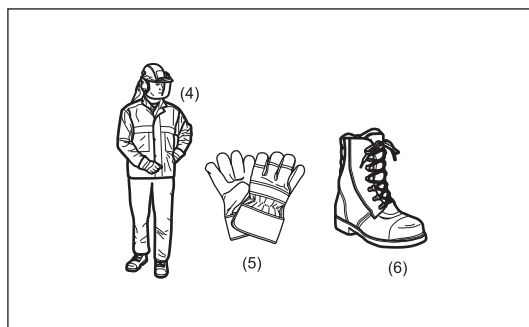
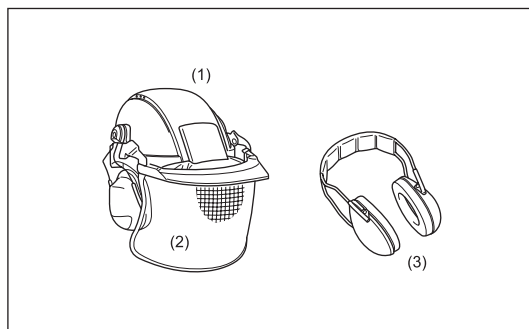
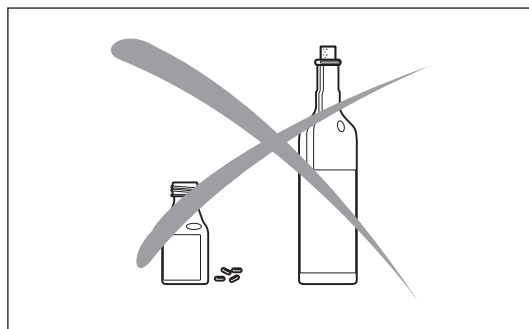
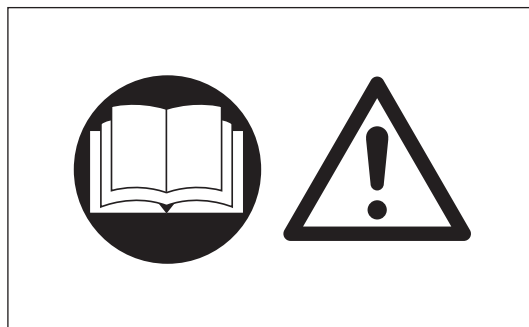
- Este aparador de cerca-viva foi concebido para a exclusiva finalidade de aparar cercas-vivas e arbustos. Não utilize o aparador de cerca-viva para outras finalidades.

## Equipamento de protecção pessoal

- As roupas usadas devem ser funcionais e justas sem limitar os movimentos. Não use roupa ou bijuteria que possa ficar presa na vegetação rasteira ou na máquina.
- Para protecção adequada contra ferimentos na cabeça, olhos, pés, mãos, assim como contra a deficiência auditiva, o equipamento e a roupa de protecção seguintes têm de ser usados ao trabalhar com o aparador de cerca-viva.
- Para evitar ferimentos na cabeça ou nos olhos, use sempre um capacete (1) com óculos ou uma viseira (2).
- Para evitar deficiências auditivas, use sempre protectores auditivos (3) adequados.
- É altamente recomendado usar fatos de macaco (4) com o tamanho certo.
- Use sempre luvas de trabalho robustas em pele (5) ao utilizar o aparador de cerca-viva.
- Ao utilizar o aparador de cerca-viva, use sempre sapatos resistentes (6) com uma sola não derrapante. O calçado de trabalho especial garante um bom apoio e protege contra ferimentos.
- Ao tocar nas lâminas, use luvas de protecção. As lâminas podem cortar as mãos nuas com gravidade.

## Segurança na área de trabalho

- **⚠ PERIGO:** Mantenha o aparador de cerca-viva afastado das linhas eléctricas e dos cabos de comunicação. Colocar o aparador de cerca-viva em contacto ou perto de linhas de alta tensão pode resultar em morte ou ferimentos graves. Preste atenção às linhas de alimentação e às cercas eléctricas em torno da área de trabalho antes de iniciar a utilização.
- Ligue o motor apenas ao ar livre e numa área bem ventilada. A utilização numa área confinada ou com pouca ventilação pode resultar em morte por asfixia ou envenenamento por monóxido de carbono.
- Durante a utilização, mantenha as pessoas, principalmente as crianças ou animais, no mínimo, a 15 m de distância do aparador de cerca-viva. Desligue o motor assim que alguém se aproximar.
- Antes da utilização, examine a área de trabalho por cercas de arame, pedras ou outros objectos sólidos. Podem danificar as lâminas.
- **⚠ AVISO:** A utilização deste produto pode criar pó com químicos que podem causar, entre outros, problemas respiratórios. Alguns exemplos destes químicos são compostos que se encontram em pesticidas, insecticidas, fertilizantes e herbicidas. O risco resultante da exposição a estes químicos varia, dependendo do número de vezes que faz este tipo de trabalho. Para reduzir a exposição a estes químicos: trabalhe numa área bem ventilada e utilizando equipamento de segurança aprovado como, por exemplo máscaras para o pó especialmente concebidas para filtrar partículas microscópicas.



## Ligar o aparador de cerca-viva

- Antes de montar ou ajustar o equipamento, desligue o motor e retire a tampa da vela de ignição.
- Antes de ligar o aparador de cerca-viva, certifique-se sempre de que a máquina está num estado de funcionamento seguro.
- Nunca tente ligar o motor se o equipamento estiver danificado.
- Verifique o funcionamento do mecanismo de segurança da alavanca do acelerador. A alavanca de bloqueio deve ter uma acção suave e fácil. Certifique-se de que a alavanca de bloqueio funciona correctamente. Certifique-se de que as pegas estão limpas e secas e teste o interruptor STOP para se certificar de que funciona correctamente.

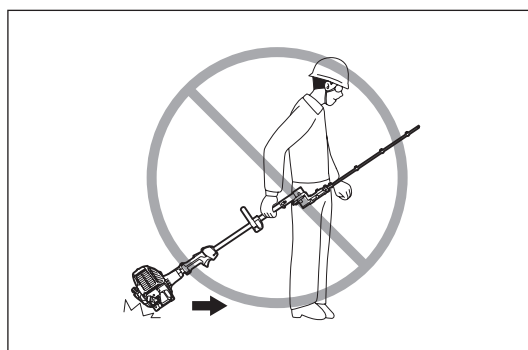
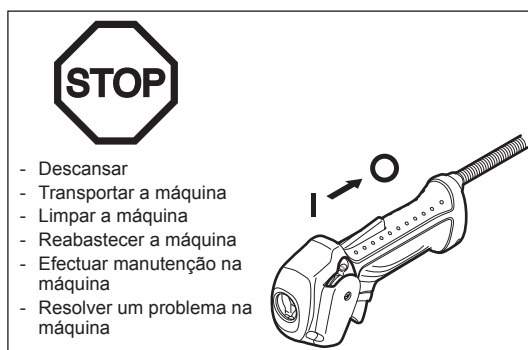
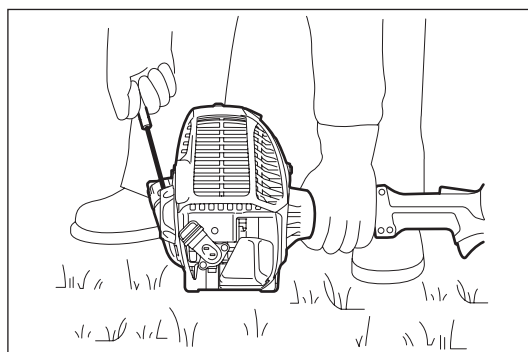
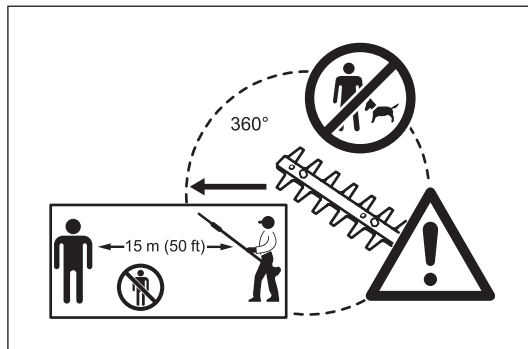
Ligue sempre o aparador de cerca-viva de acordo com as indicações fornecidas neste manual de instruções.

## Siga as instruções abaixo para ligar o aparador de cerca-viva

- Ligue o aparador de cerca-viva apenas após a máquina estar totalmente montada e com todos os acessórios instalados.
- Quando ligar o motor, mantenha as lâminas afastadas do corpo e de outros objectos, incluindo o solo. As lâminas podem mover-se aquando do arranque e podem causar ferimentos ou danos graves nas lâminas e/ou propriedade.
- Antes de ligar o motor, certifique-se de que as lâminas de corte não estão obstruídas por quaisquer objectos como pedras, ramos, etc.
- Desligue imediatamente o motor em caso de problemas no mesmo.
- Ao puxar o manípulo do dispositivo de arranque, segure bem o equipamento contra o solo com a sua mão esquerda. Nunca pise o veio de transmissão.
- Se as lâminas estiverem ao ralenti, desligue o motor e reduza a velocidade de ralenti.
- Ao utilizar o aparador de cerca-viva, agarre sempre bem ambas as pegas. Envolve os dedos à volta de cada pega, segurando a pega entre o polegar e o dedo indicador. Para manter o aparador de cerca-viva sempre sob controlo, evite mudar a posição de agarre durante a utilização. Certifique-se de que as pegas de controlo estão em bom estado e isentas de humidade, lama, óleo ou massa lubrificante.

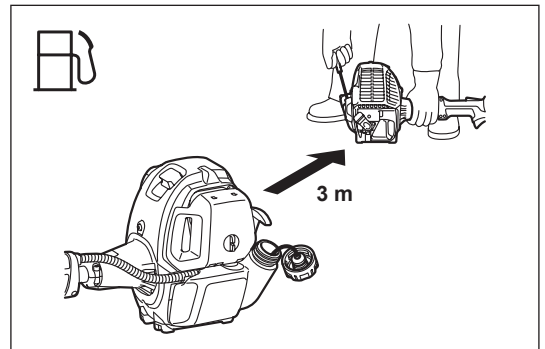
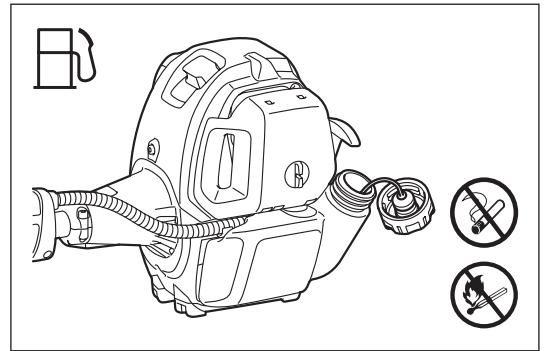
## Certifique-se sempre de que tem um apoio seguro e equilibrado

- Desligue imediatamente o motor e interrompa a utilização se ocorrerem problemas no motor ou se a máquina começar a fazer ruídos estranhos.
- Os fumos de escape são tóxicos. Nunca utilize a máquina numa divisão fechada ou túnel sem ventilação (risco de sufocação e envenenamento por gás). O monóxido de carbono é um gás sem odor. Certifique-se sempre que as áreas em que o motor é utilizado dispõem de uma ventilação adequada.
- Desligue o motor quando descansar ou quando o aparador de cerca-viva é abandonado. Coloque a máquina num local seguro e certifique-se de que não se encontra qualquer material combustível por perto.
- Nunca coloque um aparador de cerca-viva sobre relva seca ou material combustível.
- Para reduzir o risco de incêndio, mantenha o motor e o silenciador livres de detritos, folhas ou lubrificante excessivo.
- Nunca ligue o motor se o silenciador estiver avariado.
- Desligue o motor antes do transporte.
- Desligue sempre o motor quando:
  - Descansar
  - Transportar a máquina
  - Limpar a máquina
  - Reabastecer a máquina
  - Efectuar manutenção na máquina
  - Resolver um problema na máquina
- Ao transportar o equipamento, carregue-o numa posição horizontal ao segurar o veio. Mantenha o silenciador quente afastado do seu corpo.
- Ao transportar a máquina num veículo, fixe bem o aparador de cerca-viva para evitar fugas de combustível residual.
- Esvazie sempre o depósito de combustível antes de transportar o aparador de cerca-viva num veículo.
- Ao descarregar a máquina de um veículo, tenha muito cuidado para não deixar cair o aparador de cerca-viva, uma vez que pode causar danos graves no depósito de combustível.
- Excepto em caso de emergência, nunca deixe cair o aparador de cerca-viva uma vez que pode causar danos graves na máquina.
- Ao transportar o aparador de cerca-viva, levante sempre a máquina por completo do solo. Nunca arraste o motor pelo chão, uma vez que isto pode danificar o depósito de combustível e, possivelmente, causar um incêndio.
- Utilize sempre a tampa da lâmina fornecida para protecção e fixe a secção de corte do aparador de cerca-viva durante o transporte e armazenamento.
- Se o equipamento sofrer um impacto ou queda, verifique o seu estado antes de continuar a trabalhar. Verifique o sistema de combustível por fugas de combustível e os comandos e dispositivos de segurança por avarias. Se existirem danos ou dúvidas, solicite o nosso centro de assistência autorizado para a inspecção e reparação.



## Reabastecimento de combustível

- Antes de reabastecer, desligue o motor.
- Nunca reabasteça perto de chamas livres.
- Não fume ao reabastecer.
- Permita sempre tempo suficiente para o motor arrefecer antes de reabastecer.
- Não permita que a sua pele entre em contacto com produtos com petróleo. Não inale vapores de gasolina e use sempre luvas de protecção ao reabastecer. Mude e limpe o vestuário de protecção a intervalos regulares.
- Tenha muito cuidado para evitar derrames de gasolina e de óleo de modo a evitar a contaminação do solo (protecção ambiental). Se houver um derrame de gasolina ou óleo no aparador de cerca-viva, limpe imediatamente a superfície do aparador de cerca-viva com um pano.  
Para evitar uma combustão espontânea, permita a secagem dos panos húmidos antes de os eliminar num recipiente adequado e coberto.
- Certifique-se de que nenhum combustível entra em contacto com a sua roupa. Mude imediatamente a roupa contaminada pelo combustível (risco de incêndio).
- Feche o depósito de combustível e aperte bem o tampão do depósito de combustível. Para voltar a ligar o motor, transfira o aparador de cerca-viva para um local, no mínimo, a 3 metros do local de reabastecimento.
- Verifique o tampão do depósito de combustível a intervalos regulares para se certificar de que o tampão está bem apertado.
- Nunca reabasteça a máquina numa divisão fechada. Vapores de combustível ao nível do solo (risco de explosão).
- Armazene o combustível em recipientes adequados e certifique-se de que o combustível armazenado está fora do alcance das crianças.



## Funcionamento

- Em caso de emergência, desligue imediatamente o motor.
- Se sentir qualquer condição anormal (por exemplo, ruído, vibração) durante o funcionamento, desligue o motor. Não utilize o aparador de cerca-viva até a causa ser detectada e resolvida.
- As lâminas continuam a mover-se durante um curto período de tempo após libertar o gatilho ou desligar o motor. Não entre em contacto com as lâminas.
- Nunca tente utilizar o equipamento com uma mão. A perda de controlo pode resultar em ferimentos graves ou fatais. Para reduzir o risco de ferimentos de corte, mantenha as suas mãos e pés afastados das lâminas.
- Mantenha a sua mão direita a uma altura inferior à dos ombros durante a utilização. Caso contrário, pode perder o controlo e resultar em ferimentos.
- Durante a utilização, nunca bata com as lâminas contra obstáculos duros como pedras ou metais. Preste atenção ao cortar cercas vivas que estão dispostas ao lado de uma cerca eléctrica e que atravessam a cerca. Ao trabalhar perto do solo, certifique-se de que as lâminas não atingidas por areia, gravilha ou pedras.
- Se as lâminas entrarem em contacto com pedras ou outros objectos sólidos, desligue imediatamente o motor e inspecione as lâminas por danos após remover a tampa da vela de ignição. Substitua as lâminas se estiverem danificadas.
- Nunca toque nem se aproxime das lâminas quando estão em funcionamento. As lâminas podem cortar-lhe facilmente um dedo. Ao manusear ou ao aproximar a lâmina, desligue o motor e retire a tampa da vela de ignição.
- Se ramos grossos ficarem encravados nas lâminas, desligue imediatamente o motor, pouse o aparador de cerca-viva e, de seguida, retire a obstrução após remover a tampa da vela de ignição. Verifique as lâminas por danos antes de utilizar novamente o equipamento.
- Acelerar o motor com as lâminas bloqueadas aumenta a carga e pode danificar o motor e/ou a embraiagem.
- Verifique frequentemente as lâminas de corte durante o funcionamento por fissuras ou extremidades arredondadas. Antes da inspecção, desligue o motor e aguarde até a lâminas pararem por completo. Substitua imediatamente as lâminas danificadas, mesmo que apenas tenham fissuras superficiais.
- Não toque na caixa de engrenagens. A caixa de engrenagens fica quente durante a utilização.
- Descanse para evitar a perda de controlo causada pela fadiga. É aconselhável descansar 10 a 20 minutos por cada hora.
- Antes do corte, puxe a alavanca do acelerador ao máximo para atingir a velocidade máxima.
- Durante a utilização, segure sempre o aparador de cerca-viva com ambas as mãos.
- Utilize apenas o aparador de cerca-viva em condições com boa luz e visibilidade. Preste atenção às áreas escorregadias e molhadas (gelo e neve) durante a estação fria (perigo de escorregar) e garanta sempre um apoio seguro.
- Nunca utilize o aparador de cerca-viva enquanto se encontrar numa superfície instável ou num declive acentuado.
- Nunca utilize o aparador de cerca-viva enquanto se encontrar numa escada.
- Nunca suba uma árvore para utilizar o aparador de cerca-viva a partir da mesma.
- Para evitar tropeçar ou cair sobre objectos, nunca caminhe para trás ao utilizar o aparador de cerca-viva.
- Desligue sempre o motor antes de limpar ou efectuar a manutenção da máquina. Além disso, evite substituir peças antes de o motor estar desligado.
- Não utilize o aparador de cerca-viva se a unidade de corte estiver danificada ou gasta.

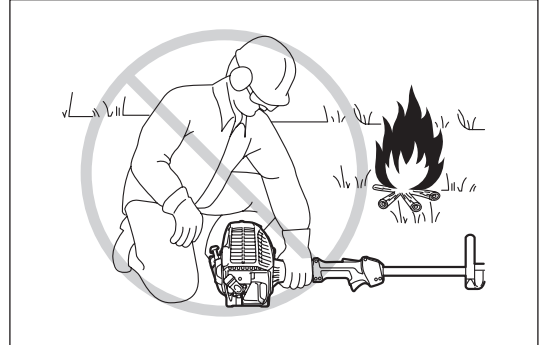


## Vibração

- As pessoas com má circulação que sejam expostas a vibrações excessivas podem sofrer ferimentos nos vasos sanguíneos ou no sistema nervoso. As vibrações podem causar os seguintes sintomas nos dedos, mãos ou pulsos: “Adormecimento” (falta de sensação), formigamento, dor, sensação de picadas, alteração da cor da pele ou da própria pele. Se ocorrer qualquer um destes sintomas, consulte um médico!
- Para reduzir o risco de “doença de Raynaud”, mantenha as mãos quentes durante o funcionamento e segure bem o equipamento e os acessórios.

## Instruções de manutenção

- Solicite o nosso centro de assistência autorizado para efectuar a manutenção do equipamento, utilizando sempre peças sobresselentes genuínas. A reparação ou manutenção incorrectas podem encurtar a vida útil do equipamento e aumentar o risco de acidentes.
- Mantenha sempre as emissões de poluição e de ruído o mais baixas possíveis ao utilizar o aparador de cerca-viva. Preste atenção à regulação correcta do carburador.
- Limpe o aparador de cerca-viva a intervalos regulares e verifique periodicamente se todas as porcas e parafusos estão bem apertados.
- Nunca efectue a manutenção nem armazene o aparador de cerca-viva perto de chamas livres, faíscas, etc.
- Nunca repare lâminas dobradas ou quebradas ao endireitar ou soldar. Pode fazer com que partes das lâminas sejam projectadas e resulte em ferimentos graves. Contacte o centro de assistência autorizado DOLMAR para lâminas genuínas DOLMAR para as substituir.
- Para prevenir mais danos e/ou ferimentos pessoais, evite reparar um aparador de cerca-viva avariado se não possuir qualificações para o fazer. Para as reparações, contacte sempre o seu fornecedor ou um agente de assistência autorizado.



Não tente modificar ou remodelar o aparador de cerca-viva uma vez que pode afectar a segurança de utilização.

O trabalho de manutenção que pode ser efectuado pelo utilizador está limitado às actividades descritas neste manual de instruções. Quaisquer outros procedimentos devem ser executados por um agente de assistência autorizado. Solicite o centro de assistência autorizado DOLMAR para inspeccionar e efectuar a manutenção do aparador de cerca-viva em intervalos regulares. Utilize apenas peças e acessórios sobresselentes originais fornecidos pela DOLMAR através dos centros de assistência autorizados. A utilização de acessórios e ferramentas não autorizados pode aumentar o risco de acidentes e ferimentos. A DOLMAR não é responsável por acidentes ou danos resultantes da utilização de acessórios e peças não autorizados.

## Armazenamento

- Antes de armazenar o equipamento, efectue a limpeza e manutenção completas. Instale a tampa da lâmina.
- Esvazie o depósito de combustível antes do armazenamento e guarde sempre o aparador de cerca-viva numa divisão fechada bem ventilada. Certifique-se de que o aparador de cerca-viva está sempre fora do alcance das crianças.
- Não encoste o equipamento contra algo, como uma parede. Caso contrário, o aparador de cerca-viva pode cair repentinamente e causar ferimentos.

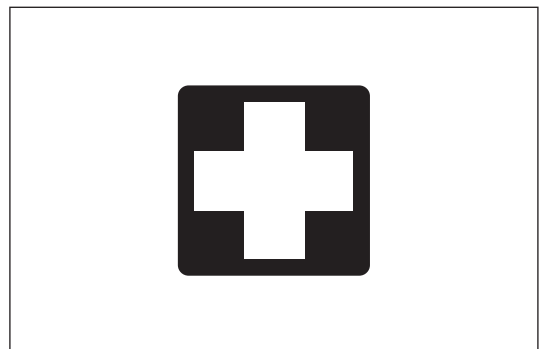
## Primeiros-socorros

Como precaução em caso de acidentes, certifique-se de que está disponível um kit de primeiros-socorros.

Reponha os itens tirados do kit de primeiros-socorros o mais rápido possível.

## Ao pedir ajuda no caso de emergência, forneça as informações seguintes:

- Local do acidente
- O que aconteceu?
- Número de pessoas feridas
- Extensão dos ferimentos
- O seu nome



**Apenas para países europeus**

**Declaração de conformidade CE**

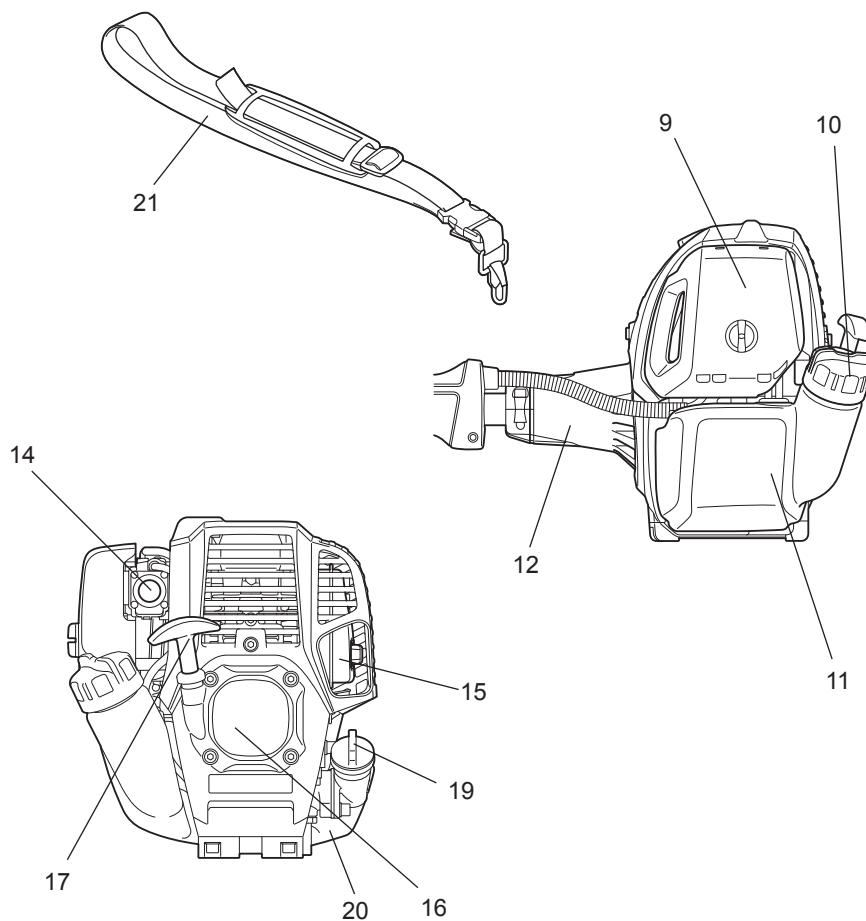
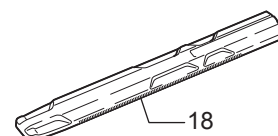
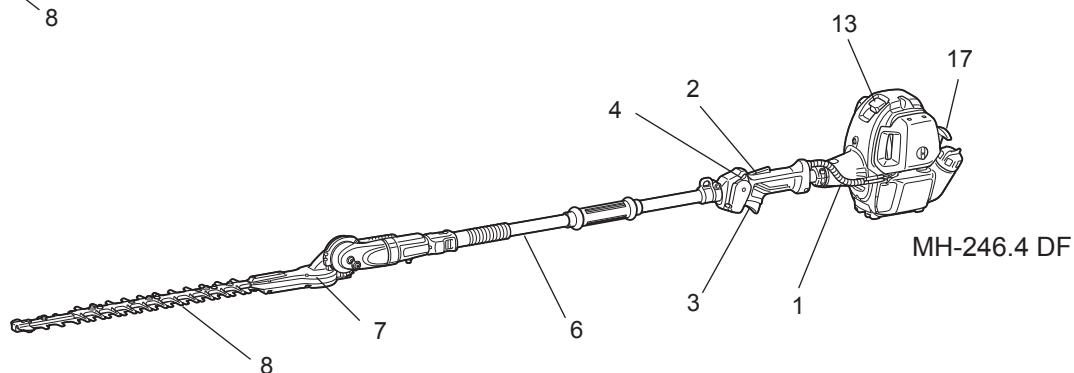
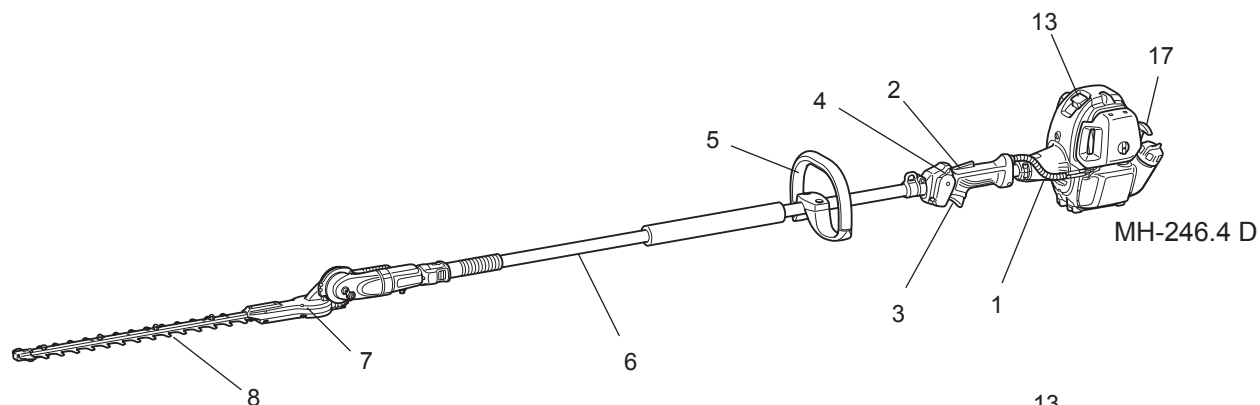
A declaração de conformidade CE está incluída como Anexo A neste manual de instruções.

## DADOS TÉCNICOS

Modelo	MH-246.4 D		MH-246.4 DF		
	Pega fechada		Pega		
Dimensões (C x L x A)	2.550 mm x 242 mm x 241 mm		2.050 mm x 221 mm x 241 mm		
Peso líquido	6,9 kg		6,6 kg		
Volume (depósito de combustível)	0,6 L				
Comprimento de corte	490 mm				
Diâmetro máximo dos ramos	7 mm				
Cursos de corte	4.200 min <sup>-1</sup>				
Tipo de motor	Refrigerado a ar, 4 tempos, um cilindro				
Deslocamento do motor	25,4 cm <sup>3</sup>				
Desempenho máximo do motor	0,77 kW a 7.000 min <sup>-1</sup>				
Velocidade do motor a velocidade de rotação máxima recomendada	10.000 min <sup>-1</sup>				
Consumo de combustível	0,33 kg/h				
Consumo específico de combustível	408 g/kWh				
Velocidade em marcha lenta	3.000 min <sup>-1</sup>				
Velocidade da embraiagem	4.400 min <sup>-1</sup>				
Carburador (Diafragma carburador)	Tipo diafragma				
Vela de ignição	tipo	NGK CMR4A			
Separação de eléctrodos	0,7 - 0,8 mm				
		Vibração por ISO 10517		Vibração por ISO 10517	
Pega direita (cabo traseiro)	a <sub>hv eq</sub>	8,5 m/s <sup>2</sup>		7,0 m/s <sup>2</sup>	
	Incerteza K	1,3 m/s <sup>2</sup>		3,1 m/s <sup>2</sup>	
Pega esquerda (cabo dianteiro)	a <sub>hv eq</sub>	6,4 m/s <sup>2</sup>		5,1 m/s <sup>2</sup>	
	Incerteza K	2,6 m/s <sup>2</sup>		1,5 m/s <sup>2</sup>	
		Ruído de acordo com a ISO 10517		Ruído de acordo com a ISO 10517	
Nível de pressão sonora	90 dB (A)		90,2 dB (A)		
Incerteza K	1,8 dB (A)		1,0 dB (A)		
Nível de potência sonora	103,0 dB (A)		104,1 dB (A)		
Incerteza K	1,0 dB (A)		0,4 dB (A)		
Combustível	Gasolina				
Óleo do motor	Óleo de classe SF ou superior com classificação API ou 10W-30 SAE (óleo para motor a 4 tempos)				
Relação de transmissão	1/4,78				



## DESIGNAÇÃO DE PEÇAS



	Designação de peças
1	Cabo do acelerador
2	Alavanca de bloqueio
3	Alavanca do acelerador
4	Interruptor de paragem
5	Pega
6	Veio
7	Caixa de velocidades
8	Lâmina de corte
9	Filtro de ar
10	Tampa do depósito de combustível
11	Depósito de combustível
12	Embraiagem
13	Tampa da vela de ignição
14	Bomba de descarga
15	Silenciador
16	Fio de arranque
17	Manípulo do dispositivo de arranque
18	Cobertura da lâmina
19	Tampa da lâmina
20	Depósito de óleo
21	Alça de ombro (Acessório opcional)

## MONTAGEM

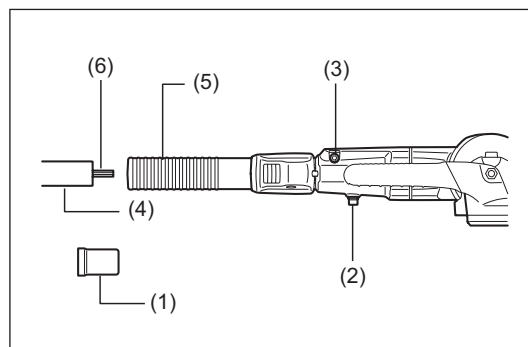
### ⚠ AVISO:

- Certifique-se de que o motor está desligado e retire a tampa da vela de ignição antes de montar o aparador de cerca-viva.
- Utilizar luvas de protecção!
- Proteja as lâminas de corte com a tampa da lâmina fornecida ao ligar o aparador ao implemento.

1. Retire a manga (1) do veio.
2. Desaperte o parafuso M5 x 16 (2) e o parafuso M5 x 25 (3).
3. Insira o veio (4) na tampa (5).

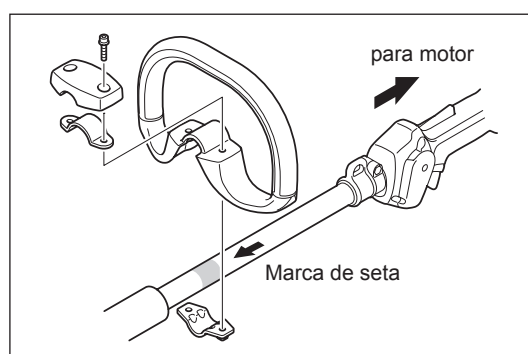
NOTA: Certifique-se de que o veio está totalmente introduzido na manga (aprox. 237 mm/9-3/8").  
Se sentir dificuldades a introduzir o veio, rode manualmente o eixo motor (6) e tente novamente.

4. Certifique-se de que o veio está bem introduzido e, de seguida, aperte o parafuso M5 x 16 e o parafuso M5 x 25.



### INSTALAR A PEGA (para MH-246.4 D)

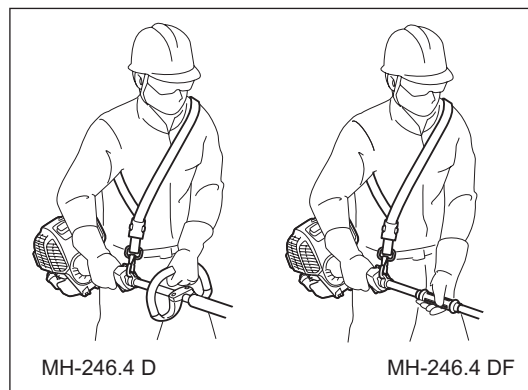
- Fixe a pega fechada no veio, conforme mostrado.
- Para manter uma distância adequada entre os cabos, coloque a pega fechada à frente das setas.



## ALÇA DE OMBRO (acessório opcional)

### Como usar a alça de ombro

- Use a alça de ombro sobre o ombro esquerdo.
- Mantenha o aparador de cerca-viva no lado direito do corpo.
- Instale a alça no gancho fornecido no aparador de cerca-viva e ajuste o comprimento da alça para obter uma posição de trabalho confortável.

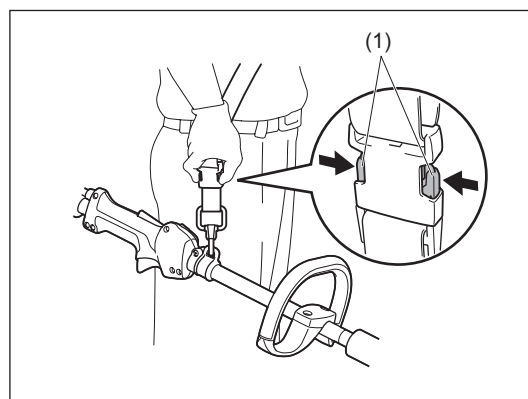


### Libertação

- Em caso de emergência, pressione os entalhes (1) em ambos os lados e pode libertar-se da máquina.

Tenha muito cuidado para manter o controlo da máquina nesta altura. Não permita que a máquina seja projectada na sua direcção ou na direcção de alguém nas proximidades.

AVISO: Se não conseguir manter o controlo total da máquina, poderá sofrer ferimentos corporais graves ou MORRER.



## ANTES DE INICIAR O FUNCIONAMENTO

### Inspecção e reabastecimento óleo do motor

- Execute o procedimento seguinte, com o motor arrefecido.
- Defina o nível do motor, retire o tampão de óleo (Fig. 1) e verifique se existe ou não óleo no intervalo entre as marcas de limite superior e inferior do tubo de óleo (Fig. 2).
- Abasteça com óleo até à marca do limite superior se o óleo for insuficiente (o nível de óleo está próximo da marca do limite inferior) (Fig. 3).
- A área em redor das marcas externas é transparente, por isso, a quantidade de óleo no interior pode ser verificada sem ter de retirar o tampão de óleo. No entanto, se o tubo de óleo ficar extremamente sujo, pode perder a visibilidade e terá de verificar o nível de óleo na secção escalonada no interior do tubo de óleo.
- Para referência, o tempo de reabastecimento de óleo é cerca de 10 horas (a cada 10 abastecimentos). Se o óleo mudar de cor ou misturar-se com sujidade, substitua por um óleo novo. (Para o intervalo e método de substituição, consulte P164)

**Óleo recomendado:** Óleo 10W-30 SAE de classificação API, Classe SF ou superior (motor a 4 tempos para automóvel)

**Volume de óleo:** Aprox. 0,08 L

NOTA: Se o motor não for mantido na vertical, o óleo pode entrar em torno do motor e abastecer de forma excessiva.  
Se o óleo estiver acima do limite, o óleo pode estar contaminado ou pode incendiar-se com fumo branco.

### Ponto 1 sobre a Substituição do óleo: “Tampão de óleo”

- Retire qualquer sujidade perto da entrada de abastecimento do óleo e desencaixe o tampão de óleo.
- Mantenha o tampão de óleo limpo. Caso contrário, qualquer sujidade que adira ao tampão de óleo pode causar uma circulação de óleo irregular ou desgaste nas peças do motor, que irá resultar em problemas.

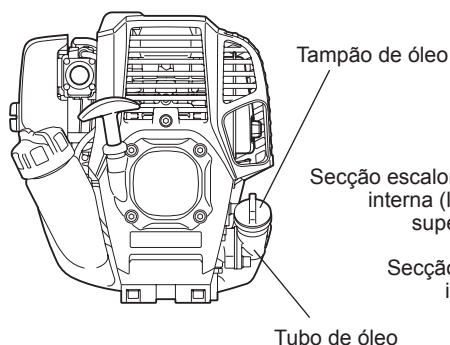


Fig. 1

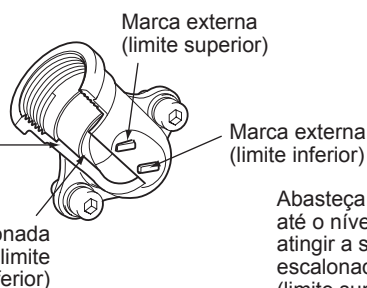


Fig. 2 Tubo de óleo

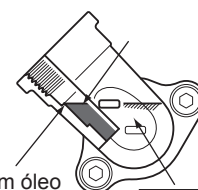
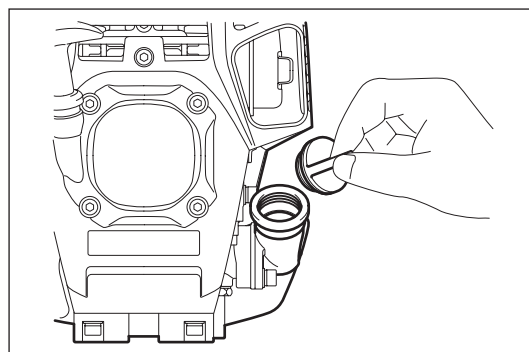


Fig. 3

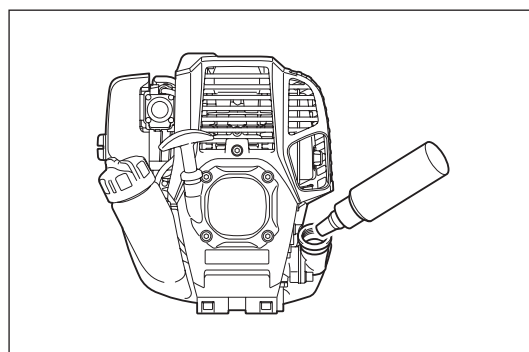
Abasteça com óleo até o nível de óleo atingir a secção escalonada interna (limite superior).

A área entre os limites superior e inferior externos é transparente, por isso, o nível de óleo pode ser verificado externamente através destas marcas.

(1) Mantenha o motor nivelado e desencaixe o tampão de óleo.



(2) Abasteça com óleo até à marca do limite superior. (consulte a Fig. 3)  
Utilize uma garrafa de óleo quando encher.



(3) Aperte de forma segura o tampão de óleo. Um aperto insuficiente pode causar fugas de óleo.

#### Nota

- Não substitua o óleo com o motor numa posição inclinada.
- Abastecer com óleo enquanto o motor está inclinado resulta no abastecimento excessivo que causa contaminação de óleo e/ou fumo branco.

#### Ponto 2 sobre a Substituição do óleo: “Em caso de derrames de óleo”

- Em caso de derrames de óleo entre o depósito de combustível e a unidade principal do motor, o óleo é aspirado pela porta de entrada do ar de refrigeração, que irá contaminar o motor. Certifique-se de que limpa o óleo derramado antes de iniciar o funcionamento.

## REABASTECIMENTO DE COMBUSTÍVEL

### Lidar com o combustível

É necessário muito cuidado ao lidar com o combustível. O combustível pode conter substâncias semelhantes a solventes. O reabastecimento tem de ser executado numa sala bem ventilada ou no exterior. Não inale vapores do combustível e evite qualquer contacto de combustível ou óleo com a sua pele. O contacto prolongado da sua pele com o combustível fará com que a sua pele fique extremamente seca, o que pode resultar em doenças de pele ou alergia. Se entrar combustível nos seus olhos, lave-os imediatamente com água limpa. Se os seus olhos ainda estiverem irritados, consulte imediatamente um médico.

### Período de abastecimento de combustível

O combustível deve ser utilizado num período de 4 semanas, mesmo se for mantido num recipiente especial num local bem ventilado e à sombra.

Caso contrário, o combustível pode deteriorar-se num dia.

### ARMAZENAMENTO DA MÁQUINA E DEPÓSITO DE ABASTECIMENTO

- Mantenha a máquina e o depósito num local fresco sem luz solar directa.
- Nunca mantenha o combustível num carro.

### Combustível

O motor é um motor a quatro tempos. Utilize gasolina para automóveis sem chumbo com 87 ou mais octanas  $((R+M)/2)$ . Não pode conter mais de 10% de álcool (E-10).

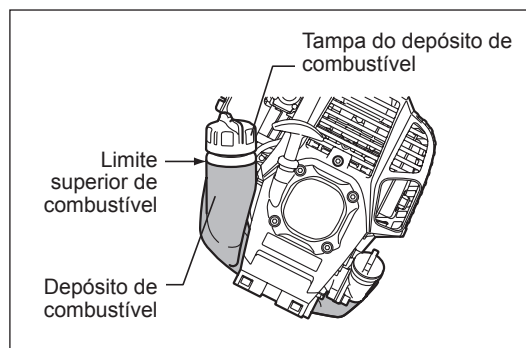
### Observações sobre o combustível

- Nunca utilize uma mistura de gasolina com óleo do motor. Caso contrário, causa uma acumulação excessiva de carbono ou problemas mecânicos.
- A utilização de óleo deteriorado irá causar um arranque irregular.

### Reabastecimento de combustível

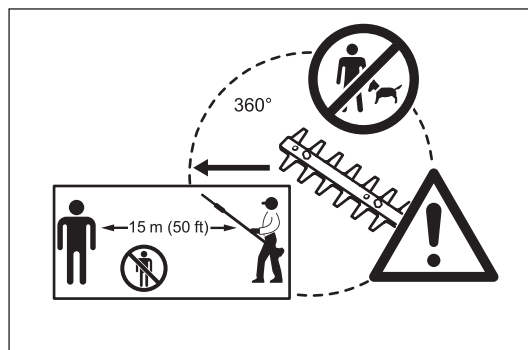
#### AVISO: INFLAMÁVEIS ESTRITAMENTE PROIBIDOS

- Solte um pouco a tampa do depósito para libertar a pressão do depósito.
  - Desencaixe a tampa do depósito e abasteça, descarregar o ar inclinando o depósito de combustível de modo a que a entrada de abastecimento esteja na vertical. (NÃO encha o combustível até cima do depósito.)
  - Limpe rigorosamente a área em torno da tampa do depósito para evitar que entre sujidade no depósito de combustível.
  - Após o reabastecimento, aperte bem a tampa do depósito.
- 
- Se a tampa do depósito tiver falhas ou danos, substitua-a.
  - O tampão do depósito desgasta-se ao longo do tempo. Substitua-o a cada dois a três anos.



## PRECAUÇÕES ANTES DE LIGAR O MOTOR

- Disponha sempre de uma zona de segurança com 15 metros de diâmetro em redor da área de trabalho. Certifique-se de que todas as pessoas (especialmente crianças) e/ou animais permanecem fora desta zona.
- Antes de utilizar o aparador de cerca-viva, certifique-se de que a máquina está num estado de funcionamento seguro. Certifique-se de que as lâminas de corte não estão danificadas e de que a alavanca do acelerador funciona correctamente. Certifique-se de que as lâminas de corte não estão em movimento quando motor está ao ralenti. Se a máquina não estiver a funcionar normalmente, contacte o seu fornecedor para efectuar regulações na máquina. Certifique-se de que as pegas estão limpas e secas e teste o funcionamento do botão I-O. Ligue o motor de acordo com as instruções fornecidas neste manual. Não utilize outros métodos para ligar o aparador de cerca-viva.
- Ligue o motor do aparador de cerca-viva somente após ter lido e compreendido as instruções. Nunca tente ligar um aparador de cerca-viva que não esteja totalmente montado. Caso contrário, podem resultar ferimentos graves.
- Antes de ligar o motor, certifique-se sempre de que as lâminas de corte não estão obstruídas por pedras, ramos ou quaisquer objectos sólidos.
- Inspeccione a área de trabalho por fios, cabos, vidros outros objectos que possam ficar presos nas lâminas de corte.
- Choques eléctricos: Tenha cuidado com as linhas eléctricas nas proximidades. Inspeccione toda a área de trabalho por linhas de alimentação e cercas eléctricas antes de iniciar o trabalho.



## PONTOS SOBRE O FUNCIONAMENTO E COMO PARAR

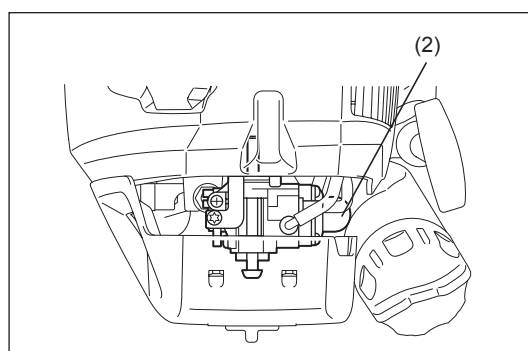
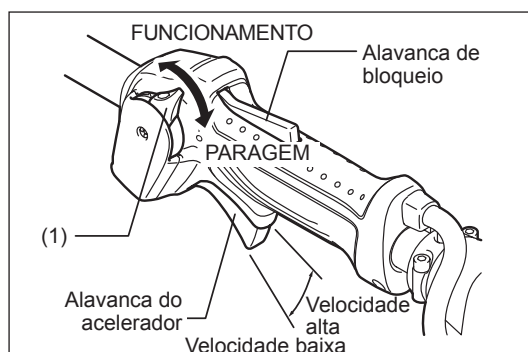
Leia os regulamentos aplicáveis sobre a prevenção de acidentes!

### INÍCIO

Desloque no mínimo 3 m longe do local de abastecimento. Coloque o aparador de cerca-viva numa parte limpa do chão certificando-se de que as lâminas de corte não entram em contacto com o chão ou com quaisquer outros objectos.

#### A: Arranque a frio

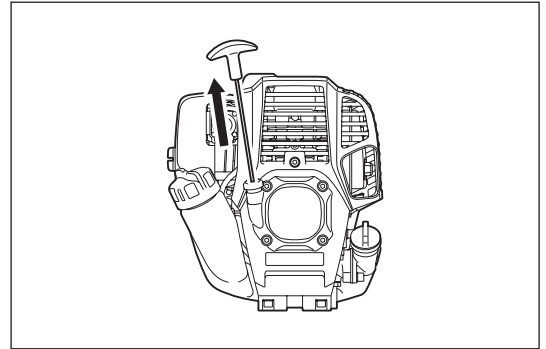
- 1) Monte esta máquina num espaço plano.
  - 2) Regule o botão I-O (1) para FUNCIONAMENTO.
- 
- 3) Bomba de descarga  
Continue a empurrar a bomba de descarga (2) até o combustível entrar na bomba de descarga. (Normalmente, o combustível entra na bomba de descarga após 7 a 10 empurrões.) Se a bomba de descarga for empurrada em demasia, um excesso de gasolina regressa ao depósito de combustível.



- 4) Fio de arranque  
Puxe o manípulo de arranque suavemente até ficar difícil de puxar (ponto de compressão). De seguida, alivie o manípulo de arranque e puxe com força. Nunca puxe a corda ao máximo. Assim que o manípulo de arranque for puxado, nunca solte a mão imediatamente. Segure o manípulo de arranque até este voltar ao ponto de origem.

- 5) Operação de aquecimento  
Continue a operação de aquecimento durante 2 a 3 minutos.

NOTA: Em caso de entrada excessiva de combustível, remova a vela de ignição e puxe a pega de arranque lentamente para remover o combustível em excesso. Também deverá limpar a secção dos eléctrodos da vela de ignição.



#### **B: Arranque após operação de aquecimento**

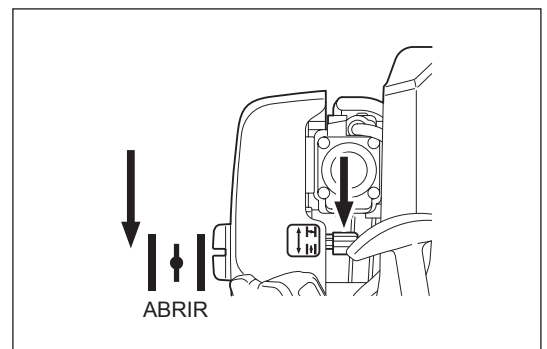
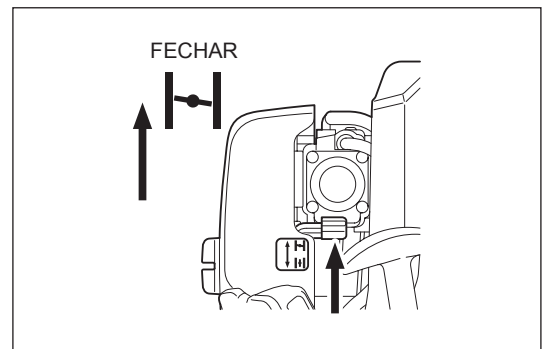
- 1) Empurre a bomba de descarga de forma repetida e suave.
- 2) Mantenha a alavanca do acelerador na posição de marcha lenta.
- 3) Puxe o fio de arranque com força.
- 4) Se for difícil arrancar o motor, abra o regulador de velocidade cerca de 1/3. Preste atenção às lâminas de corte que podem mover-se.

#### **No Inverno, quando sentir dificuldades ao ligar o motor, utilize a alavanca do afogador através do procedimento seguinte.**

- Após implementar os passos de arranque 1) a 3), coloque a alavanca do afogador na posição FECHAR.
- Implemente o passo de arranque 4) e ligue o motor.
- Assim que o motor arrancar, coloque a alavanca do afogador na posição ABRIR.
- Implemente o passo de arranque 5) e conclua o aquecimento.

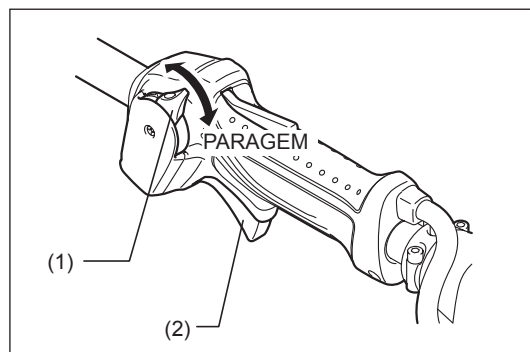
PRECAUÇÃO: Se ouvir um estouro (som explosivo) e o motor parar ou se o motor acabado de ligar parar antes de utilizar a alavanca do afogador, coloque a alavanca do afogador na posição ABRIR e puxe o manípulo do dispositivo de arranque algumas vezes para ligar o motor.

PRECAUÇÃO: Se a alavanca do afogador permanecer na posição FECHAR e se simplesmente puxar várias vezes o manípulo do dispositivo de arranque, será aspirado demasiado combustível e o motor terá dificuldades ao ligar.



## PARAR

- 1) Solte totalmente a alavanca do acelerador (2) e quando a velocidade do motor tiver baixado, regule o botão I-O (1) para STOP, o motor irá parar.
- 2) Note que a cabeça de corte poderá não parar imediatamente e deixe sempre que ela abraque e pare completamente por si própria.

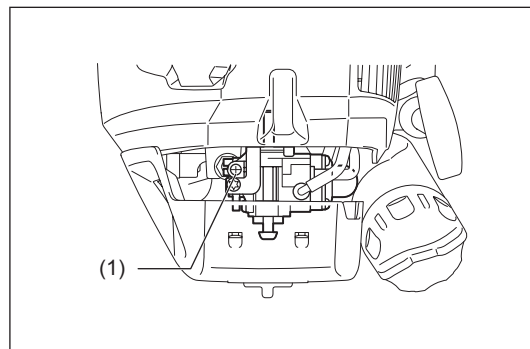


## AJUSTE DE ROTAÇÃO DE BAIXA VELOCIDADE (MARCHA LENTA)

Quando é necessário ajustar a rotação de baixa velocidade (marcha lenta), efectue através do parafuso de regulação do carburador (1).

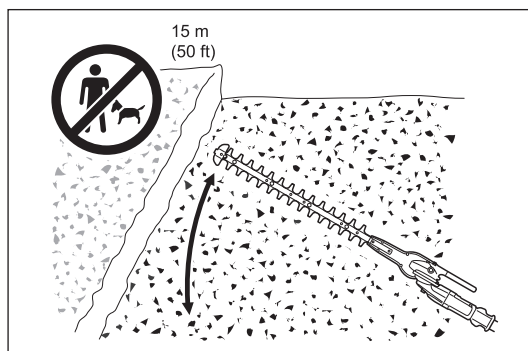
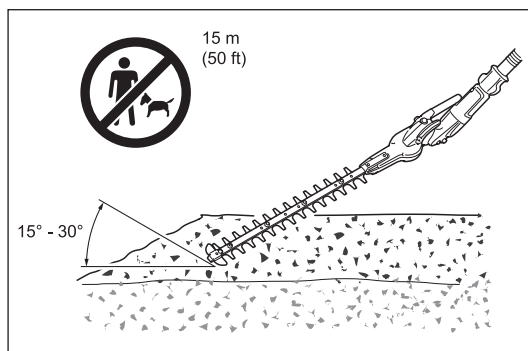
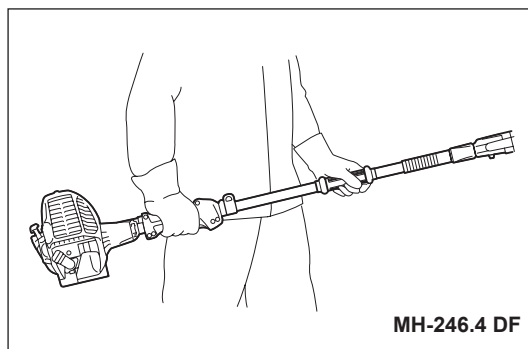
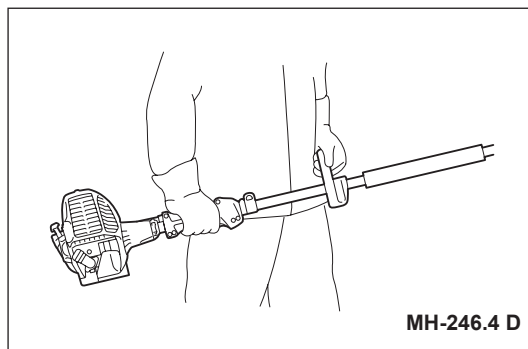
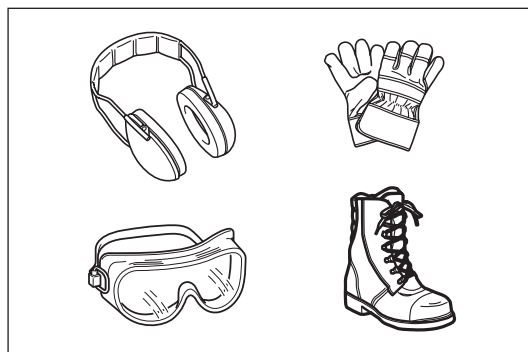
## VERIFICAÇÃO DA ROTAÇÃO DE BAIXA VELOCIDADE

- Defina a rotação de baixa velocidade para 3.000 rpm (/min). Se for necessário alterar a velocidade de rotação, regule o parafuso de regulação (1) com uma chave Phillips.
- Rode o parafuso de regulação para a direita e a velocidade do motor irá aumentar. Rode o parafuso de regulação para a esquerda e a velocidade do motor irá diminuir.
- Normalmente, o carburador é ajustado antes do envio. Se for necessário reajustar, contacte o Centro de Serviço Autorizado.



## UTILIZAR O APARADOR DE CERCA-VIVA

- Não toque na lâmina de corte do aparador de cerca-viva durante a utilização ou quando o motor está em funcionamento.
- Tenha cuidado para não inalar os gases de escape ao utilizar o aparador de cerca-viva. Nunca utilize o aparador de cerca-viva numa divisão fechada ou numa área sem ventilação suficiente (risco de sufocação e envenenamento por gás). O monóxido de carbono é um gás sem odor, ou seja, não pode ser detectado pelo cheiro.
- Use sempre equipamento de protecção adequado antes de iniciar o trabalho com o aparador de cerca-viva.
- Desligue imediatamente o motor se o silenciador não funcionar correctamente.
- Utilize apenas o aparador de cerca-viva em condições com boa luz e visibilidade.
- Não utilize o aparador de cerca-viva na escuridão ou em condições de nevoeiro. Preste atenção às áreas escorregadias e molhadas (gelo e neve) durante a estação frio (perigo de escorregar) e garanta sempre um apoio seguro.
- Nunca utilize o aparador de cerca-viva enquanto se encontrar numa superfície instável ou num declive acentuado.
- Nunca utilize o aparador de cerca-viva enquanto se encontrar numa escada.
- Nunca suba uma árvore para utilizar o aparador de cerca-viva a partir da mesma.
- Inspeccione continuamente a área de trabalho por fios, cabos, vidros outros objectos que possam ficar presos nas lâminas de corte.
- Certifique-se de que as lâminas de corte estão em movimento rápido antes de começar a cortar.
- Segure sempre o aparador de cerca-viva com ambas as mãos ao utilizar a máquina.
- Para garantir um controlo ideal sobre o aparador de cerca-viva, envolva sempre as mãos à volta das pegas (utilize o polegar para contrapressão) e agarre bem as pegas.
- Atente que as lâminas de corte irão permanecer em movimento durante dois segundos após libertar a alavanca do acelerador.
- Não corte com o aparador de cerca-viva a baixa velocidade.
- A velocidade das lâminas de corte não pode ser regulada correctamente com a alavanca do acelerador quando o motor se encontra a baixa velocidade.
- Para cortar a superfície superior de uma cerca-viva, alinhe primeiro as lâminas de corte a um ângulo de 15° - 30° na direcção de corte e mantenha o aparador de cerca-viva numa posição horizontal. De seguida, comece a aparar a cerca-viva num movimento oscilante, tal como desenhar círculos com o veio do aparador de cerca-viva.
- Para aparar os lados de uma cerca-viva, alinhe as lâminas em paralelo à superfície a cortar e comece a aparar com movimentos para cima (para baixo) semi-circulares.
- Preste atenção ao aparar uma cerca-viva que está disposta ao longo de uma cerca eléctrica e que atravessa a cerca.
- As lâminas de corte não podem entrar em contacto com objectos duros como cercas eléctricas, pedras ou o solo. Pode resultar em fissuras ou quebras das lâminas.
- Não utilize o aparador de cerca-viva durante um longo período de tempo. Regra geral, por cada 50 minutos de utilização, faça uma pausa de 10-20 minutos.
- Se as lâminas entrarem em contacto com pedras ou outros objectos sólidos, desligue imediatamente o motor e inspeccione as lâminas por danos. Substitua as lâminas se estiverem danificadas.
- Se surgir um problema no aparador de cerca-viva durante a utilização (ruídos estranhos, vibrações, etc.), desligue imediatamente o motor. Não utilize novamente a máquina até o problema ser detectado e resolvido.
- Mantenha sempre as emissões de poluição e de ruído o mais baixas possíveis ao utilizar o aparador de cerca-viva. Preste atenção à regulação correcta do carburador.
- Se ramos espessos ficarem encravados nas lâminas de corte, desligue imediatamente o motor, coloque o equipamento no chão e retire a obstrução. Verifique as lâminas por danos antes de utilizar novamente a máquina.





## Ajuste do ângulo de corte

### Aviso:

- Não utilize a ferramenta com a unidade de corte solta e instável.

Pode ajustar o ângulo de corte para cima para 45° e para baixo para 90°.

1. Desligue o motor do aparador de cerca-viva e coloque a máquina no chão.
2. Para ajustar o ângulo da unidade de corte, segure a pega (A) na unidade de corte com uma mão e segure o bloqueio de ângulo (B), conforme mostrado, com a outra mão.
3. Puxe suavemente o bloqueio de ângulo e altere o ângulo da unidade de corte. Após ajustar o ângulo, reposicione suavemente o bloqueio de ângulo.

### Nota:

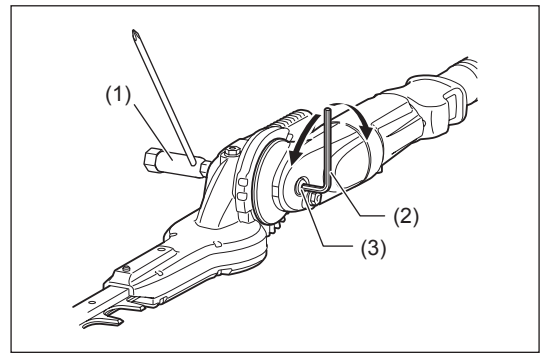
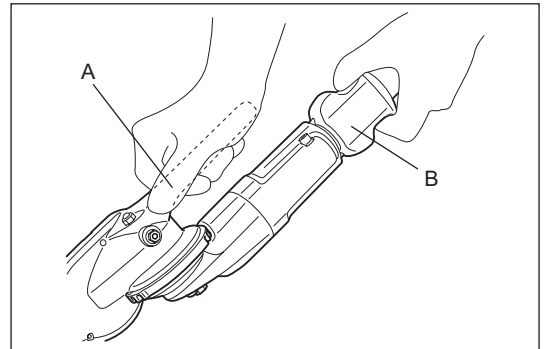
- A unidade de corte apenas é apertada a determinados ângulos ao longo da ranhura na unidade. Certifique-se de que a unidade de corte encaixa correctamente. Se o ângulo não for adequado, a embraiagem é cortada e a embraiagem não funciona.
- Não ajuste a unidade de corte enquanto o aparador de cerca-viva se encontra na posição vertical.
- Mova o botão I-O para a posição "O" e coloque o aparador de cerca-viva no chão para ajustar o ângulo de corte.
- Proteja sempre as lâminas com a tampa das lâminas fornecida antes de ajustar o ângulo de corte.

Caso a unidade de corte esteja solta, o parafuso (o eixo de ajuste de ângulo) necessita de ser apertado.

1. Coloque a chave de caixa (1) e a chave sextavada (2) no parafuso (3).
2. Ajuste o aperto da unidade de corte ao rodar a chave sextavada e, de seguida, aperte o parafuso ao rodar a chave de caixa.

### Nota:

- Não aperte demasiado a unidade de corte. O ângulo da unidade de corte não pode ser alterado se estiver demasiado apertada.



## MANUTENÇÃO

- Antes de efectuar qualquer trabalho de manutenção no aparador de cerca-viva (limpeza de lâminas, etc.), desligue sempre o motor e aguarde o arrefecimento do motor. Como precaução adicional de segurança, retire também a tampa da vela de ignição.
- Não tente endireitar ou soldar lâminas de corte dobradas ou quebradas. Substitua sempre as lâminas danificadas.
- Desligue o motor a intervalos regulares para inspeccionar as lâminas de corte por danos possíveis (efectue um teste de ressonância para detectar fissuras difíceis de ver). Certifique-se sempre de que os dentes das lâminas estão afiados.
- Limpe regularmente o aparador de cerca-viva. Durante a limpeza, certifique-se também de que todos os parafusos e porcas estão bem apertados.
- Para reduzir o risco de incêndio, nunca efectue a manutenção nem armazene o aparador de cerca-viva próximo de chamas abertas.
- Use sempre luvas de protecção robustas ao manusear as lâminas de corte.
- Contacte o seu fornecedor para substituir as lâminas de corte.
- Nunca utilize gasolina, benzina, diluente, álcool ou semelhante na limpeza. Podem formar-se descolorações, deformações ou fissuras.

### Afiar a lâmina

Se as lâminas de corte ficarem arredondadas e o desempenho de corte for fraco, solicite um agente de assistência autorizado para afiar as lâminas.

### Ajuste da lâmina

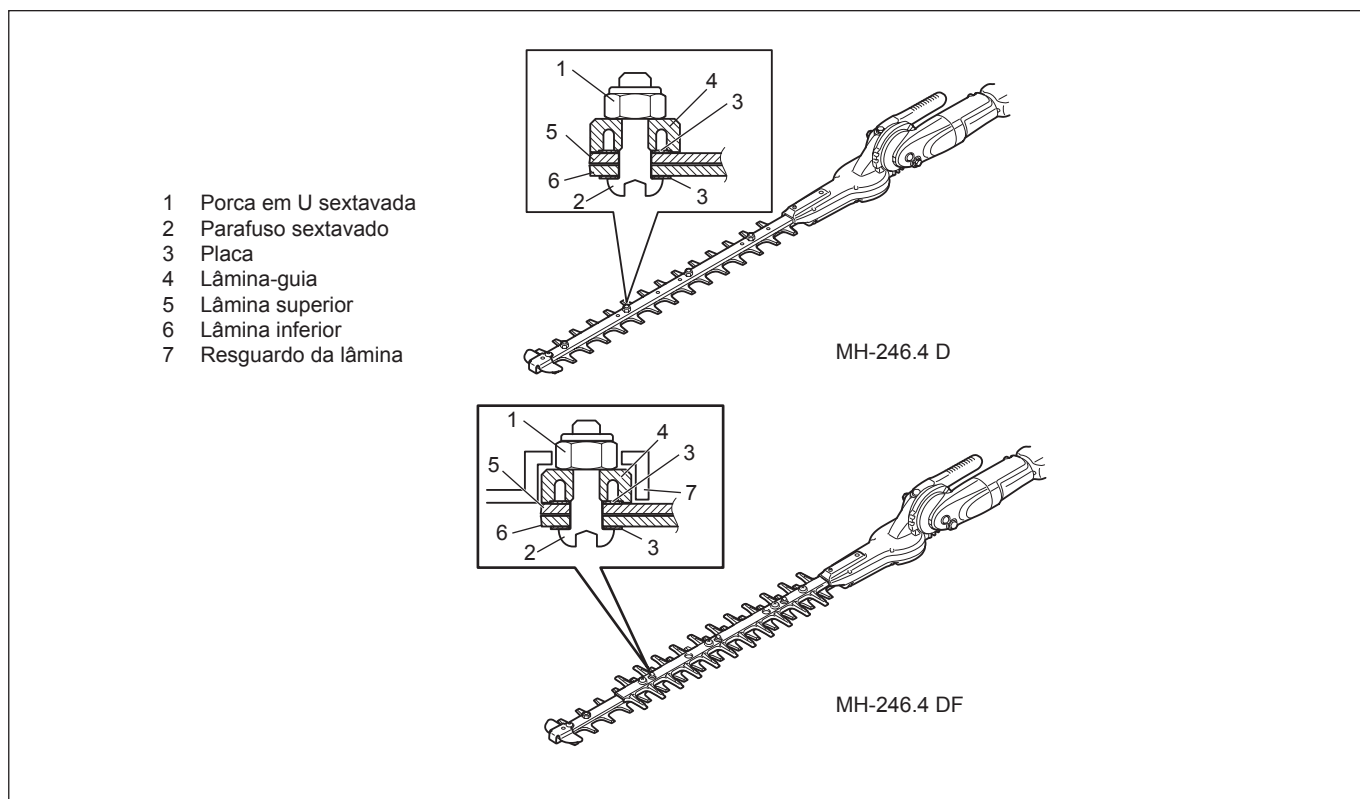
As lâminas superior/inferior desgastam-se gradualmente após as utilizações. Quando verificar que as lâminas não aparam como quando eram novas, ajuste-as da seguinte forma.

O aperto do parafuso sextavado decide a folga das lâminas. A porca segura o parafuso sextavado com um determinado aperto. Uma folga excessiva resulta num corte fraco, mas uma folga insuficiente causa calor desnecessário e um desgaste mais rápido das lâminas.

1. Desaperte a porca (1) com uma chave de porcas.
2. Aperte ligeiramente o parafuso sextavado (2) com uma chave sextavada até parar. E, de seguida, aperte novamente entre um quarto de volta e meia volta para ganhar uma folga necessária.
3. Aperte a porca (1), segurando o parafuso sextavado (2).
4. Aplique óleo leve na superfície de contacto das lâminas.
5. Ligue o motor, ligue e desligue o acelerador durante um minuto.
6. Desligue o motor e toque na superfície. Se não estiverem demasiado quentes para tocar, então, efectuou o ajuste adequado. Se estiverem demasiado quentes para tocar, rode o parafuso sextavado (2) um pouco para trás e repita o passo de 5 a 6.

NOTA: Antes de efectuar o ajuste, desligue o motor e aguarde a paragem das lâminas.

As lâminas têm uma ranhura em torno do parafuso sextavado (2). Caso encontre pó na extremidade de qualquer uma das ranhuras, limpe-o.

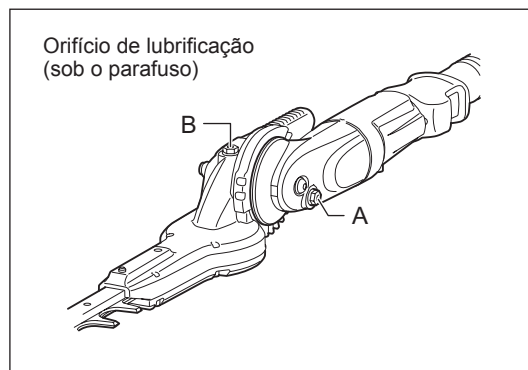


## Adicionar massa lubrificante

**Importante: Certifique-se de que a superfície da caixa de velocidades está completamente fria antes de lubrificar.**

- A caixa de velocidades do aparador de cerca-viva deve ser lubrificada a cada 25 horas de utilização. O orifício de lubrificação está situado sob o parafuso. Retire o parafuso a lubrificar. Adicione aprox. 3 g (4 cc) de lubrificante ao ponto A da caixa de velocidades e 5 g (7 cc) de lubrificante ao ponto B, respectivamente, através do orifício de lubrificação. Reposicione o parafuso após a lubrificação. Após encher a quantidade correcta de lubrificação, a massa lubrificante irá sair um pouco da base da lâmina durante a primeira utilização.

**PRECAUÇÃO:** Cumpra os intervalos de lubrificação e a quantidade de massa lubrificante a aplicar.  
As peças mecânicas do aparador de cerca-viva podem ficar danificadas se a massa lubrificante não for aplicada nos intervalos prescritos ou se for adicionada uma quantidade insuficiente de massa lubrificante.



## Inspeção e manutenção diárias

Para garantir uma vida útil longa do seu aparador de cerca-viva, efectue as inspeções seguintes e a manutenção diariamente.

- Antes do funcionamento:
  - Inspeccione sempre por peças soltas ou em falta antes de iniciar a utilização. Preste atenção à unidade de corte e certifique-se de que os parafusos de bloqueio da lâmina de corte estão bem apertados.
  - Inspeccione por entupimentos nas passagens de ar de refrigeração e nas alhetas de refrigeração do cilindro antes de iniciar a utilização. Se necessário, limpe-as.
- Após a utilização:
  - Limpe externamente o aparador de cerca-viva e inspeccione por danos.
  - Limpe o filtro de ar. Limpe o filtro várias vezes ao dia quando trabalhar em condições extremamente poeirentas.
  - Inspeccione as lâminas de corte por danos. Certifique-se de que as lâminas estão bem montadas.
  - Se as lâminas de corte ainda continuarem a funcionar após a regulação, consulte o agente de serviço autorizado mais próximo.

## SUBSTITUIÇÃO DO ÓLEO DO MOTOR

Um óleo do motor deteriorado irá encurtar muito a vida útil das peças deslizantes e rotativas. Certifique-se de que verifica o período e quantidade de substituição.



**PERIGO:** Normalmente, a unidade principal do motor e o óleo do motor ainda permanecem quentes logo após a paragem do motor. Aquando da substituição do óleo, certifique-se de que a unidade principal do motor e o óleo do motor estão suficientemente arrefecidos. Caso contrário, pode existir um risco de queimadura. Após desligar o motor, permita tempo suficiente para o óleo do motor regressar ao depósito de óleo, para garantir uma leitura exacta do indicador do nível de óleo.

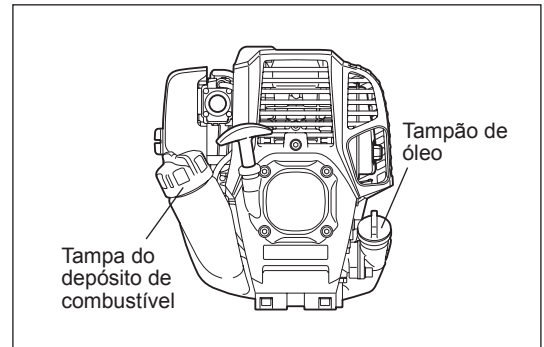
**NOTA:** Se o óleo estiver acima do limite, pode ficar sujo ou pode incendiar-se com fumo branco.

**Intervalo de substituição:** Após 20 horas de funcionamento, seguido de 50 horas de funcionamento

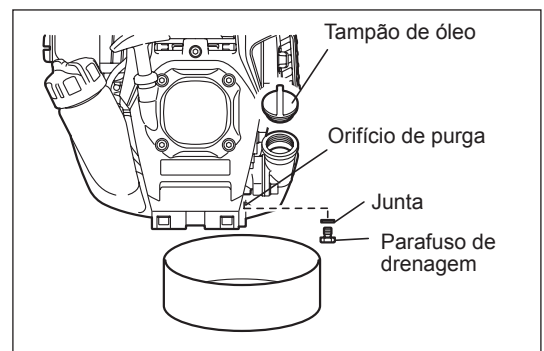
**Óleo recomendado:** Óleo 10W-30 SAE de classificação API, Classe SF ou superior (motor a 4 tempos para automóvel)

Aquando da substituição, execute o procedimento seguinte.

- 1) Certifique-se de que a tampa do depósito de combustível está bem apertada.
- 2) Coloque um recipiente grande sob o orifício de purga.

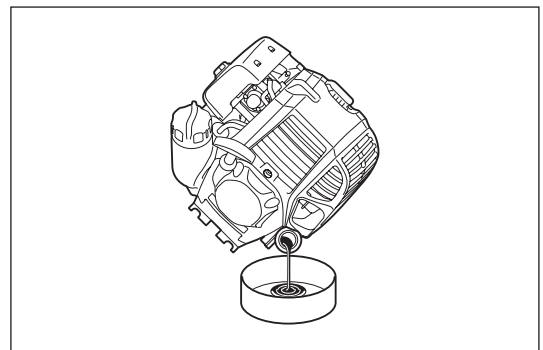


- 3) Remova o parafuso de drenagem e retire o tampão do óleo para drenar o óleo a partir do respectivo orifício. Neste momento, certifique-se de que não perde a junta do parafuso de drenagem ou de que nenhum dos componentes removidos fica sujo.
- 4) Quando todo o óleo tiver sido drenado, combine a junta e o parafuso de drenagem e aperte bem o parafuso de drenagem, de forma a que não fique solto nem cause fugas.  
\* Utilize um pano para limpar qualquer óleo no parafuso e equipamento.

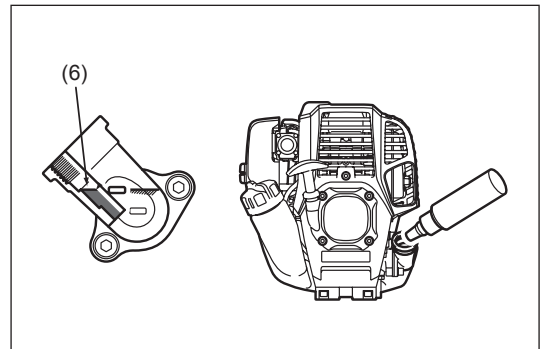
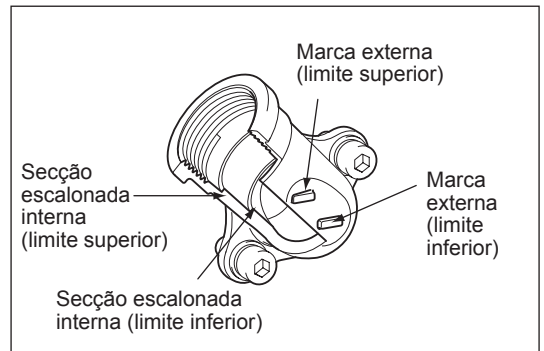


### Método de purga alternativo

Retire o tampão de óleo, incline o aparador de cerca-viva na direcção do orifício de enchimento de óleo e purgue o óleo.  
Recolha o óleo num recipiente.



- 5) Defina o nível do motor e abasteça gradualmente até à marca do limite superior (6) com óleo novo.
- 6) Depois de encher, aperte o tampão do óleo, de forma a que não se solte e provoque fugas. Se o tampão do óleo não estiver bem fixo, pode ter uma fuga.



#### PONTOS SOBRE O ÓLEO

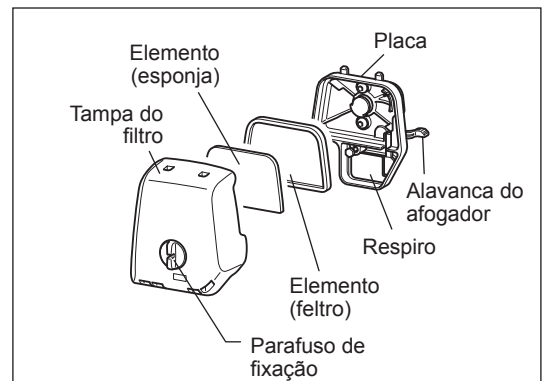
- Nunca elimine o óleo do motor substituído no lixo, terra ou sarjeta. A eliminação do óleo está regulada por lei. Aquando da eliminação, siga sempre as respectivas leis e regulações. Para quaisquer pontos que permaneçam desconhecidos, contacte o Agente de Serviço Autorizado.
- O óleo irá deteriorar mesmo quando não é utilizado. Execute a inspeção e a substituição a intervalos regulares (substitua por óleo novo a cada 6 meses).

#### Limpar o filtro de ar

##### PERIGO: Inflamáveis estritamente proibidos

Verifique e limpe o filtro de ar diariamente ou a cada 10 horas de funcionamento.

- Rode a alavanca do afogador para o lado totalmente fechado e mantenha o carburador longe de qualquer pó ou sujidade.
- Desaperte o parafuso de fixação.
- Retire a tampa do filtro de ar ao puxar pelo seu lado inferior.
- Remova os elementos e sacuda-os para remover a sujidade.
- Se os elementos estiverem muito contaminados: Remova os elementos, mergulhe-os em água quente ou em detergente neutro diluído em água e seque-os por completo. Não os esprema nem os esfregue ao lavar.
- Antes de instalar os elementos, certifique-se de que os seque por completo. Uma secagem incompleta dos elementos pode provocar um arranque difícil.
- Limpe o óleo em torno da tampa do filtro de ar e do respiro com desperdícios.
- Instale o elemento (esponja) no elemento (feltro).
- Instale os elementos na placa de modo a que a esponja esteja virada para a tampa do filtro de ar.
- Instale imediatamente a tampa do filtro e aperte-a com parafusos de fixação. (Aquando da montagem, coloque primeiro a garra superior e depois a garra inferior.)



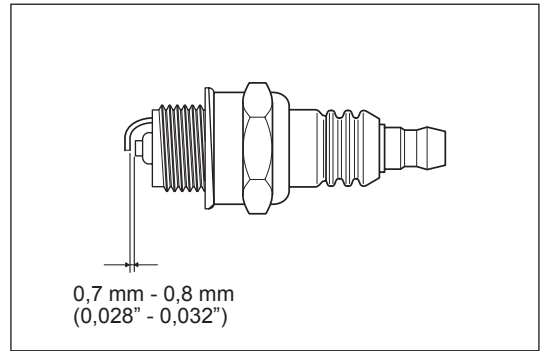
#### ATENÇÃO:

- Limpe os elementos várias vezes ao dia, em caso de excesso de pó. Os elementos sujos reduzem a potência do motor e tornam difícil o arranque do motor.
- Remova o óleo dos elementos. Se o funcionamento continuar com os elementos ainda com óleo, o óleo no filtro de ar pode transbordar resultando na contaminação do ambiente.
- Não coloque os elementos no solo ou num local sujo. Caso contrário, captam sujidade e resíduos e podem danificar o motor.
- Nunca utilize combustível para limpar os elementos. O combustível pode danificá-los.

### VERIFICAR A VELA DE IGNIÇÃO

- Utilize apenas a chave universal fornecida para remover ou instalar a vela de ignição.
- O espaço entre os dois eléctrodos da vela de ignição deverá estar a 0,7 – 0,8 mm. Se o espaço for demasiado largo ou estreito, ajuste-o. Se a vela de ignição estiver entupida ou contaminada, limpe-a rigorosamente ou substitua-a.

**PRECAUÇÃO:** Nunca toque no conector da vela de ignição enquanto o motor estiver a trabalhar (perigo de choque eléctrico de alta tensão).



### Limpeza do filtro de combustível (cabeça de sucção no depósito de combustível)

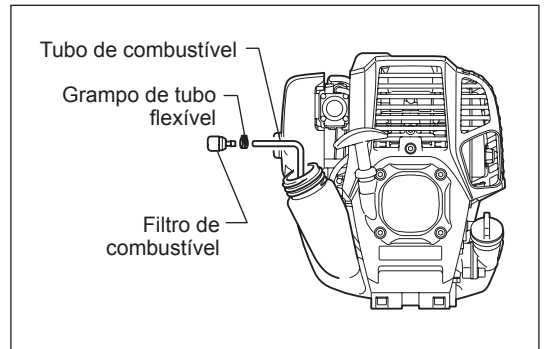
#### AVISO: INFLAMÁVEIS ESTRITAMENTE PROIBIDOS

Verifique e limpe o filtro de combustível mensalmente ou a cada 50 horas de funcionamento.

Verifique periodicamente o filtro de combustível. Para verificar o filtro de combustível, siga os passos abaixo.

- (1) Retire a tampa do depósito de combustível, purgue o combustível para esvaziar o depósito. Verifique o interior do depósito por quaisquer materiais estranhos. Caso existam, remova-os.
- (2) Retire a cabeça de sucção ao utilizar um gancho de arame através da abertura do depósito.
- (3) Se o filtro de combustível estiver ligeiramente entupido, limpe-o. Para limpá-lo, abane-o ligeiramente e mergulhe-o em combustível. Para evitar danos, não o esprema nem o esfregue. O combustível utilizado para a limpeza tem de ser eliminado de acordo com o método especificado pelas regulamentações no seu país.
- (4) Se o filtro de combustível ficar rígido ou altamente entupido, substitua-o.

Após verificar, limpar ou substituir, introduza o filtro de combustível ao máximo até ao fundo do depósito de combustível. Um filtro de combustível entupido ou danificado pode causar um fornecimento insuficiente de combustível e reduzir a potência do motor. Substitua o filtro de combustível, no mínimo, a cada três meses para garantir um fornecimento adequado de combustível para o carburador.

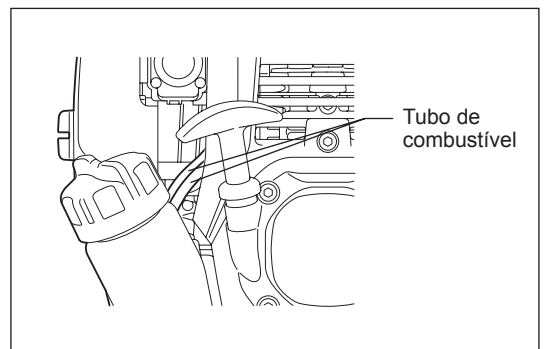


### Substituição do tubo de combustível

#### PRECAUÇÃO: Inflamáveis estritamente proibidos

Verifique e limpe o tubo de combustível diariamente ou a cada 10 horas de funcionamento.

Substitua o tubo de combustível a cada 200 horas de funcionamento ou todos os anos, independentemente da frequência de funcionamento. Caso contrário, as fugas de combustível podem provocar um incêndio. Se detectar alguma fuga durante a inspecção, substitua o tubo de combustível imediatamente.



### INSPECÇÃO DE PARAFUSOS E PORCAS

- Reaperte parafusos e porcas desapertados, etc.
- Inspeccione por fugas de combustível e óleo.
- Substitua as peças danificadas por peças novas para um funcionamento seguro.

### LIMPEZA DAS PEÇAS

- Mantenha o motor limpo ao limpar com um pano.
- Mantenha as alhetas do cilindro limpas. O pó ou sujidade que adira às alhetas irá causar falha do êmbolo.

### SUBSTITUIÇÃO DAS JUNTAS E EMPANQUES

Substitua as juntas e os empanques se o motor estiver desmontado. Para quaisquer operações de manutenção ou ajuste não descritas neste manual, consulte o seu centro de assistência autorizados ou de fábrica DOLMAR.

## ARMAZENAMENTO

**AVISO:** Quando purgar o combustível, desligue o motor e deixe-o arrefecer.

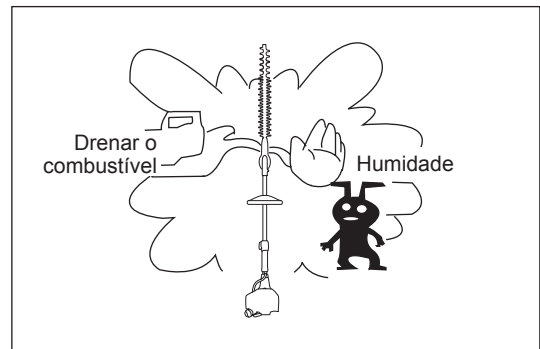
Caso contrário, poderá causar queimaduras ou incêndios.

**ATENÇÃO:** Quando armazena a máquina durante um longo período, purgue todo o combustível do depósito de combustível e carburador e guarde-a num local seco e limpo.

- Purgue o combustível do depósito de combustível e carburador de acordo com o procedimento seguinte:

- 1) Retire a tampa do depósito de combustível e purgue o combustível por completo.  
Se restar alguns materiais estranhos no depósito de combustível, retire-os por completo.
- 2) Retire o filtro de combustível da entrada de abastecimento utilizando um fio.
- 3) Empurre a bomba de descarga até purgar combustível e purgue o combustível que entra no depósito de combustível.
- 4) Coloque novamente o filtro no depósito de combustível e aperte bem a tampa do depósito de combustível.
- 5) De seguida, continue a operar o motor até parar.

- Retire a vela de ignição e goteje várias gotas de óleo do motor pelo orifício da vela de ignição.
- Puxe suavemente a pega de arranque para que o óleo do motor se espalhe pelo motor e encaixe a vela de ignição.
- Encaixe a tampa na lâmina de corte.
- No geral, armazene a máquina na posição horizontal. Se não for possível, coloque a máquina de modo a que o motor fique abaixo da ferramenta de corte. Caso contrário, pode ocorrer uma fuga de óleo do motor.
- Tenha sempre o cuidado de armazenar a máquina num local seguro para evitar danos na mesma e ferimentos pessoais.
- Mantenha o combustível drenado num recipiente especial e num local bem ventilado.



**Atenção após armazenamento de longa duração**

- Antes do arranque após paragem de longa duração, certifique-se de que substituiu o óleo (consulte P164). O óleo irá deteriorar enquanto a máquina não é utilizada.

Item	Tempo de funcionamento	Antes da utilização	Diária (10h)	25h	50h	200h	Paragem/repouso	P correspondente
Óleo do motor	Inspeccione/limpe	○						155
	Substitua				○ <sup>*1</sup>			164
Peças de aperto (parafuso, porca)	Inspeccione	○						166
Depósito de combustível	Limpe/inspeccione	○						-
	Drenar o combustível						○ <sup>*3</sup>	167
Alavanca do acelerador	Verifique função	○						157
Interruptor de paragem	Verifique função	○						157, 159
Lâminas de corte	Inspeccione	○	○					157, 162
Rotação a baixa velocidade	Inspeccione/ajuste		○					159
Filtro de ar	Limpe		○					165
Vela de ignição	Inspeccione		○					166
Conduta de ar de arrefecimento	Limpe/inspeccione		○					166
Tubo de combustível	Inspeccione		○					166
	Substitua					⊙ <sup>*2</sup>		-
Lubrificação caixa de engrenagens	Abastecimento			○				163
Filtro de combustível	Limpe/substitua				○			166
A folga entre a válvula de entrada de ar e a válvula de descarga de ar	Ajuste					⊙ <sup>*2</sup>		-
Revisão do motor						⊙ <sup>*2</sup>		-
Carburador	Drenar o combustível						○ <sup>*3</sup>	167

\*1 Execute a substituição inicial após 20 horas de utilização.

\*2 Para a inspeção de 200 horas de funcionamento, contacte o Agente de Serviço Autorizado ou loja da máquina.

\*3 Após esvaziar o depósito de combustível, deixe o motor em funcionamento e purgue o combustível no carburador.



## RESOLUÇÃO DE PROBLEMAS

Antes de efectuar um pedido para reparações, verifique você mesmo o problema. Se encontrar uma anomalia, controle a máquina de acordo com a descrição neste manual. Nunca altere nem desmonte qualquer peça contrária à descrição. Para reparações, contacte o Agente de Serviço Autorizado ou concessionário local.

Estado de anomalia	Causa provável (avaria)	Solução
O motor não arranca	Falha ao operar a bomba de descarga	Empurre 7 a 10 vezes
	Velocidade de puxo baixa da corda de arranque	Puxe com força
	Falta de combustível	Forneça combustível
	Filtro de combustível obstruído	Limpe
	Tubo de combustível quebrado	Endireite o tubo de combustível
	Combustível deteriorado	O combustível deteriorado torna o arranque mais difícil. Substitua por combustível novo. (Substituição recomendada: 1 mês)
	Aspiração excessiva de combustível	Regule a alavanca do acelerador de velocidade média para velocidade elevada e puxe a pega de arranque até o motor arrancar. <b>Assim que o motor arrancar, as lâminas de corte começam a rodar. Preste muita atenção às lâminas de corte.</b> Se mesmo assim o motor não pegar, retire a vela de ignição, seque o eléctrodo e monte-os da forma original. De seguida, ligue como especificado.
	Tampa da vela desencaixada	Encaixe bem
	Vela de ignição contaminada	Limpe
	Folga anómala da vela de ignição	Ajuste a folga
	Outra anomalia da vela de ignição	Substitua
	Carburador anómalo	Peça uma inspecção e manutenção.
	A corda de arranque não pode ser puxada	Peça uma inspecção e manutenção.
	Sistema de accionamento anómalo	Peça uma inspecção e manutenção.
O motor pára rapidamente A velocidade do motor não aumenta	Aquecimento insuficiente	Execute a operação de aquecimento
	A alavanca do afogador está regulada para "H" apesar do motor estar quente.	Defina para "II"
	Filtro de combustível obstruído	Limpe ou substitua
	Filtro de ar contaminado ou obstruído	Limpe
	Carburador anómalo	Peça uma inspecção e manutenção.
	Sistema de accionamento anómalo	Peça uma inspecção e manutenção.
A lâmina de corte não roda ↓ Pare o motor imediatamente	Ângulo incorrecto da unidade de corte	Certifique-se de que o bloqueio de ângulo engata correctamente.
	Porca de aperto das lâminas de corte desapertada	Aperte bem
	Ramos presos pelas lâminas de corte.	Retire as substâncias estranhas
	Sistema de accionamento anómalo	Peça uma inspecção e manutenção.
	A unidade principal vibra de forma anómala ↓ Pare o motor imediatamente	Lâminas de corte quebradas, dobradas ou gastas
Porca de aperto das lâminas de corte desapertada		Aperte bem
Sistema de accionamento anómalo		Peça uma inspecção e manutenção.
As lâminas de corte não param imediatamente ↓ Pare o motor imediatamente		Rotação a marcha rápida
	Fio de acelerador desencaixado	Encaixe bem
	Sistema de accionamento anómalo	Peça uma inspecção e manutenção.
O motor não pára ↓ Coloque o motor em marcha lenta e regule a alavanca do afogador para "H"	Conector desencaixado	Encaixe bem
	Sistema eléctrico anómalo	Peça uma inspecção e manutenção.

Quando o motor não arranca após a operação de aquecimento:

Se não encontrar nenhuma anomalia nos itens de verificação, abra o regulador de velocidade cerca de 1/3.

Tak fordi du valgte en stanghækkeklipper fra DOLMAR. Vi er glade for at kunne tilbyde dig et produkt, der er resultatet af et omfattende udviklingsprogram og mange års viden og erfaring. For at kunne opnå de bedste mulige resultater med din stanghækkeklipper fra DOLMAR skal du læse denne brugsanvisning omhyggeligt igennem, inden du anvender maskinen, og følge alle instruktionerne heri for at sikre korrekt anvendelse af stanghækkeklipperen fra DOLMAR.



<b>Indhold</b>	<b>Side</b>
Symboler .....	170
Sikkerhedsanvisninger .....	171
Tekniske data.....	176
Delenes betegnelser.....	177
Samling.....	178
Bærerem (ekstraudstyr).....	178
Brændstof/påfyldning af brændstof .....	179
Forholdsregler inden start af motoren .....	181
Anvendelse af stanghækkeklipperen.....	184
Vedligeholdelse .....	186
Opbevaring .....	191
Fejlfinding .....	193

**SYMBOLER**

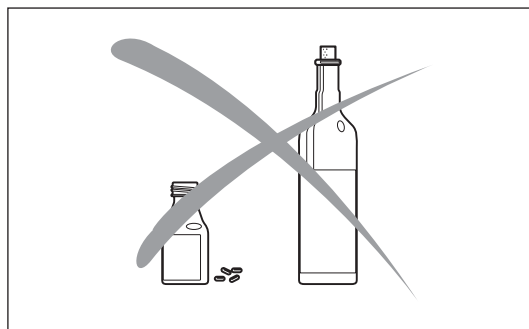
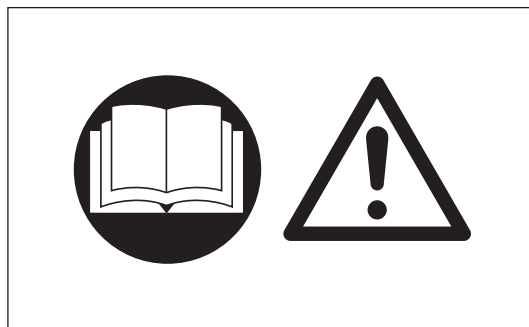
Vær opmærksom på de følgende symboler, når du læser denne brugsanvisning.

	ADVARSEL/FARE		Vær opmærksom på fastklemning
	Inden brug skal du omhyggeligt læse og fuldt ud forstå instruktionerne i denne brugsanvisning		Vær opmærksom på elledninger, da der er risiko for elektrisk stød
	FORBUDT		Brændstof (Benzin)
	Rygning forbudt		Manuel start af motor
	Ingen åben ild		Nødstop
	Anvend sikkerhedssko		Førstehjælp
	Bær arbejdshandsker		TÆNDT/START
	Hold arbejdsområdet fri for personer og dyr		SLUKKET/STOP
	Bær en beskyttelseshjelm og øjen- og høreværn		

## SIKKERHEDSANVISNINGER

### Generelle retningslinjer

- Inden brug skal du omhyggeligt læse denne brugsanvisning igennem og gøre dig bekendt med, hvordan du anvender stanghækkeklipperen på korrekt vis. **DETTE Udstyr kan medføre alvorlig personskade, hvis det anvendes forkert!**
- Når du låner udstyret ud til andre personer, skal du altid detaljeret forklare, hvordan stanghækkeklipperen anvendes korrekt. Sørg for at overdrage brugsanvisningen sammen med stanghækkeklipperen.
- Førstegangsbrugere bør bede deres forhandler om grundlæggende instrukser angående korrekt håndtering af stanghækkeklipperen.
- Opbevar denne brugsanvisning på et sted med nem adgang for hurtig opslagsmulighed.
- Tillad ikke personer under 18 år at anvende stanghækkeklipperen. Dog kan personer over 16 år anvende stanghækkeklipperen til træningsformål, hvis de er under konstant opsyn af en voksen, som er bekendt med anvendelsen af stanghækkeklipperen.
- Brug altid stanghækkeklipperen med allerstørste omhu og opmærksomhed.
- Forsøg aldrig at modificere udstyret.
- Overhold reglerne for håndtering af stanghækkeklippere i dit land.
- Der kan opstå alvorlig personskade, hvis stanghækkeklipperen anvendes i følgende tilfælde. Brug ikke stanghækkeklipperen:
  - Når du føler dig træt eller dårligt tilpas.
  - Efter indtagelse af alkohol og/eller medicin.
  - Om natten eller under dårlige lysforhold.
  - Under graviditet.

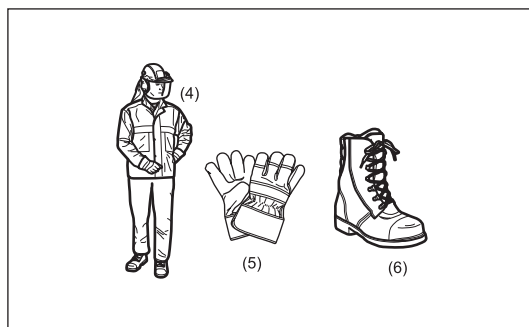
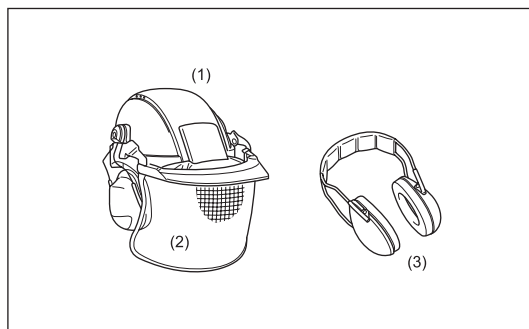


### Tilsigtet anvendelse

- Denne stanghækkeklipper er udelukkende designet til klipning af hække og buske. Brug ikke stanghækkeklipperen til nogen andre formål.

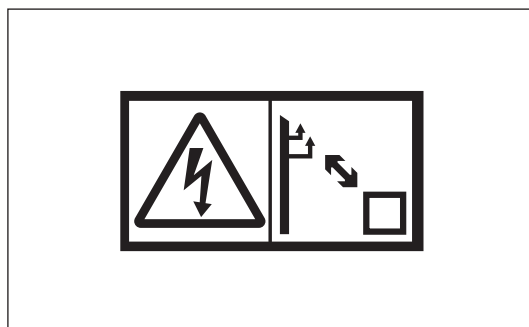
### Personligt sikkerhedsudstyr

- Der skal bæres funktionelt og tætsiddende tøj, som ikke begrænser bevægelsesfriheden. Bær ikke tøj eller smykker som kan sætte sig fast i underskov eller i maskinen.
- For at beskytte tilstrækkeligt mod skader på hoved, øjne, fødder, hænder såvel som hørenedsættelse skal du anvende følgende beskyttelsesudstyr og -tøj under arbejde med stanghækkeklipperen.
- For at forhindre hoved- eller øjenskader skal du altid anvende en beskyttelseshjelm (1) med briller eller et visir (2).
- For at undgå hørenedsættelse skal du altid anvende egnet høreværn (3).
- Brug af arbejdsoverall i rigtig størrelse (4) anbefales på det kraftigste.
- Bær altid robuste arbejdshandsker af læder (5) ved brug af stanghækkeklipperen.
- Anvend altid kraftige sko (6) med skridsikre såler ved brug af stanghækkeklipperen. Særlige arbejdssko sikrer et godt fodfæste og beskytter mod skader.
- Bær beskyttelseshandsker ved berøring af knive eller sværdenhed. Du kan skære dine bare hænder voldsomt på knivene.



### Sikkerhedsregler for arbejdsområdet

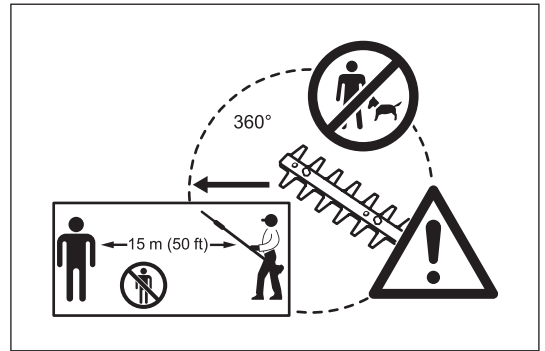
- **⚠ FARE:** Hold stanghækkeklipperen væk fra elledninger og kommunikationskabler. Berøring af eller tæt afstand til højspændingsledninger med stanghækkeklipperen kan resultere i død eller alvorlig personskade. Se efter strømledninger og elektriske hegn omkring arbejdsområdet inden start af arbejdet.
- Start og anvend kun motoren udendørs på områder med god ventilation. Anvendelse på et indelukket eller dårligt ventileret område kan medføre død pga. kvælning eller kuliteforgiftning.
- Hold folk i nærheden, især børn, og dyr på mindst 15 meters afstand af stanghækkeklipperen under anvendelsen. Stop motoren så snart nogen nærmer sig.
- Undersøg arbejdsområder for trådhegn, sten eller andre hårde genstande inden arbejdet udføres. De kan beskadige knivene.
- **⚠ ADVARSEL:** Brug af dette produkt kan udvikle støv indeholdende kemikalier, der kan medføre luftvejs- eller andre sygdomme. Eksempler på disse kemikalier er forbindelser fundet i pesticider, insektmidler, kunstgødninger og sprøjtegifte. Din risiko i forbindelse med udsættelse for disse kemikalier afhænger af, hvor ofte du udfører denne type arbejde. For at reducere udsættelsen for disse kemikalier: Udfør kun arbejde på områder med god ventilation og under anvendelse af godkendt sikkerhedsudstyr, såsom støvmasker, der er specielt konstrueret til at filtrere mikroskopiske partikler.



## Start af stanghækkeklipperen

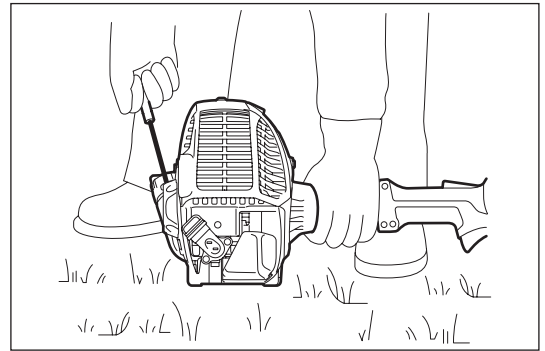
- Inden samling eller justering af udstyret skal du slukke for motoren og fjerne tændrørshætten.
- Inden start af stanghækkeklipperen skal du altid kontrollere, at maskinen er i sikker stand, klar til anvendelse.
- Forsøg aldrig at starte motoren, hvis udstyret er beskadiget.
- Kontroller, at gashåndtagets sikkerhedsmekanisme fungerer. Låsehåndtaget bør glide jævnt og nemt. Kontroller, at låsehåndtaget fungerer ordentligt. Kontroller at håndtagene er rene og tørre og afprøv STOP-kontakten for at sikre, at den fungerer ordentligt.

Start altid stanghækkeklipperen i henhold til de anvisninger, der er givet i denne brugsanvisning.



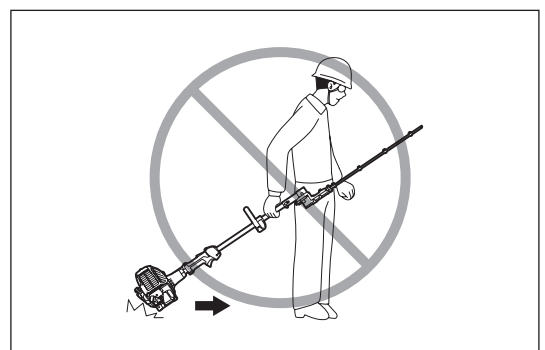
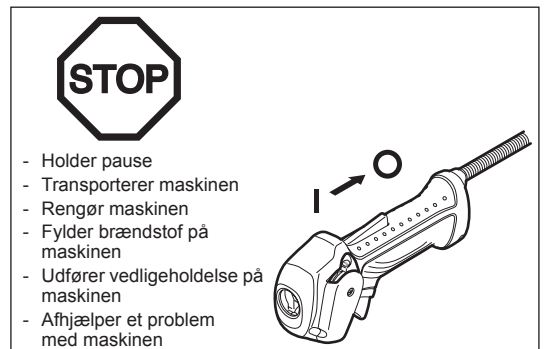
## Følg instruktionerne nedenfor for at starte stanghækkeklipperen

- Start kun stanghækkeklipperen efter maskinen er blevet samlet fuldstændigt, og alle tilbehørsdele er blevet monteret.
- Når du starter motoren, skal du holde knivene væk fra kroppen og andre genstande, inklusive jorden. Knivene kan eventuelt begynde at køre ved start af maskinen og forårsage alvorlig personskade eller beskadige knivene og/eller materiel.
- Kontroller inden start af motoren at knivene ikke er blokeret af fremmedlegemer som f.eks. sten, grene osv.
- Stop straks motoren hvis der opstår motorproblemer.
- Når du trækker i starthåndtaget, skal du holde maskinen fast mod jorden med venstre hånd. Træd aldrig på drivenheden.
- Hvis knivene bevæger sig i tomgang, skal du stoppe motoren og justere tomgangshastigheden ned.
- Når stanghækkeklipperen anvendes, skal du altid holde ordentligt fast i begge håndtag. Vikl fingrene stramt rundt om hvert håndtag og hold håndtaget fast mellem tommel- og pegefinger. Skift ikke grebet under anvendelsen, så du konstant har stanghækkeklipperen under kontrol. Kontroller, at styrehåndtagene er i god stand og frie for fugt, mudder, olie eller smøremiddel.



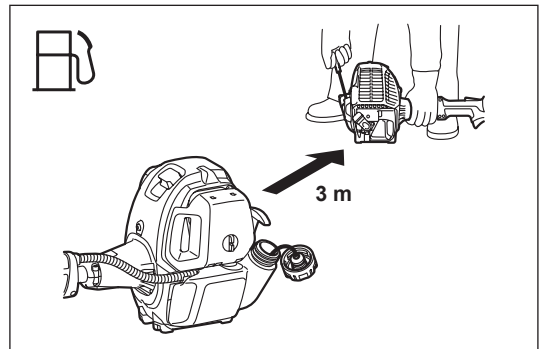
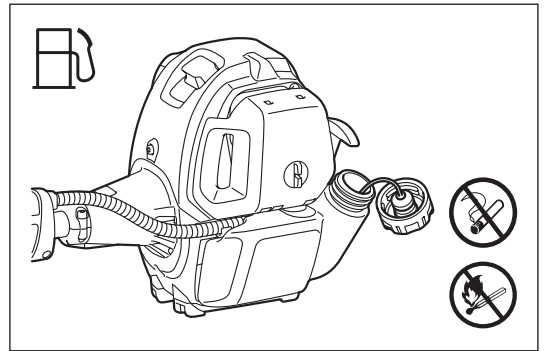
## Sørg altid for at have et godt fodfæste

- Stop altid motoren med det samme og ophør anvendelsen hvis der opstår motorproblemer, eller hvis maskinen begynder at lyde unormalt.
- Udstødningsgasser er giftige. Betjen aldrig maskinen i et lukket rum eller en tunnel uden ventilation (risiko for kvælning og gasforgiftning). Bemærk at kulilte er en lugtfri gas. Sørg altid for at de områder, hvor motoren køres, er tilstrækkelig ventilerede.
- Stop motoren under pause eller når stanghækkeklipperen lades uden for opsyn. Placer maskinen på et sikkert sted og sørg for, at der ikke er noget brændbart materiale i nærheden.
- Placer aldrig en varm stanghækkeklipper på tørt græs eller brændbart materiale.
- For at reducere brandfaren skal motoren og lydæmperen holdes fri for afklippede materialer, blade og unødigt meget smøremiddel.
- Betjen aldrig motoren hvis lydæmperen er defekt.
- Sluk for motoren inden transport.
- Stop altid motoren når du:
  - Holder pause
  - Transporterer maskinen
  - Rengør maskinen
  - Fylder brændstof på maskinen
  - Udfører vedligeholdelse på maskinen
  - Afhjælper et problem med maskinen
- Når udstyret bæres, skal det holdes i skaftet og bæres i vandret position. Sørg for at holde den varme lydæmper væk fra kroppen.
- Når du transporterer maskinen i et køretøj, skal du altid fastgøre stanghækkeklipperen for at undgå lækage af tilbageværende brændstof.
- Tøm altid brændstoffranken inden transport af stanghækkeklipperen i et køretøj.
- Når du fjerner maskinen fra et køretøj, skal du være forsigtig med ikke at smide stanghækkeklipperen ned på jorden, da dette kan muligvis kan beskadige brændstoffranken alvorligt.
- Smid aldrig stanghækkeklipperen ned, med undtagelse af nødstilfælde, da dette muligvis kan beskadige maskinen alvorligt.
- Når du transporterer stanghækkeklipperen, skal du altid løfte maskinen helt op over jorden. Træk aldrig motoren hen over jorden, da dette muligvis kan beskadige brændstoffranken og eventuelt medføre brand.
- Anvend altid det medfølgende knivhylster til at beskytte og fastgøre stanghækkeklipperens skærefsnit under transport og opbevaring.
- Hvis udstyret bliver udsat for stærkt tryk eller tabes, skal du kontrollere tilstanden, inden du fortsætter arbejdet. Kontroller brændstofsysteet for brændstoflækage samt betjenings- og sikkerhedsudstyr for funktionsfejl. Hvis der er nogen skader eller tvivlsspørgsmål, skal du bede vores autoriserede servicecenter om at foretage eftersyn og reparation.



## Påfyldning af brændstof

- Stop motoren inden du fylder brændstof på.
- Påfyld aldrig brændstof i nærheden af åben ild.
- Ryg ikke under påfyldning af brændstof.
- Giv altid motoren tilstrækkelig tid til at køle af, inden du påfylder brændstof.
- Pas på din hud ikke kommer i kontakt med petroleumsprodukter. Indånd ikke benzindampe og bær altid beskyttelseshandsker under påfyldning af brændstof. Udskift og rengør beskyttelsesbeklædningen med jævne mellemrum.
- Vær ekstra forsigtig med ikke at spilde brændstof og olie for at undgå jordforurening (miljøbeskyttelse). Hvis der spildes benzin eller olie på stanghækkeklipperen, skal du straks tørre stanghækkeklipperens overflade af med en klud.  
For at undgå spontan selvantændelse skal du lade de våde klude tørre ordentligt, inden du smider dem i en egnet lukket beholder.
- Sørg for, at der ikke kommer brændstof på tøjet. Skift straks tøj der er kommet brændstof på (brandfare).
- Luk brændstoftanken og stram brændstoftankdækslet ordentligt til. For at starte motoren igen skal du flytte stanghækkeklipperen til et sted mindst 3 meter væk fra stedet for brændstofpåfyldningen.
- Kontroller brændstoftankdækslet med jævne mellemrum for at sikre, at dækslet sidder ordentligt fast.
- Påfyld aldrig brændstof på maskinen i et lukket rum. Der kan ophobes brændstofdampe i jordhøjde (eksplosionsfare).
- Opbevar kun brændstof i egnede beholdere og sørg for, at opbevaret brændstof er uden for børns rækkevidde.



## Betjening

- I nødstilfælde skal du straks slukke for motoren.
- Hvis du bemærker noget unormalt (f.eks. støj, vibration) under anvendelsen, skal du slukke for motoren. Brug ikke stanghækkeklipperen før årsagen er fundet, og problemet er løst.
- Knivene fortsætter med at køre i en kort periode, efter gashåndtaget er sluppet, eller motoren er slukket. Rør ikke ved knivene med det samme.
- Forsøg aldrig at betjene udstyret med én hånd. Tab af kontrol kan medføre alvorlig eller dødelig tilskadekomst. For at reducere risikoen for at skære sig, skal du holde hænder og fødder væk fra knivene.
- Hold højre hånd under skulderhøjde under anvendelsen. Ellers kan du miste kontrol, hvilket kan resultere i tilskadekomst.
- Slå aldrig knivene mod hårde genstande som f.eks. sten og metaller under anvendelsen. Vær især opmærksom når du klipper hække, som står tæt på eller langs et trådhegn. Når du arbejder tæt på jorden, skal du sørge for, at der ikke kommer noget sand, grus eller sten ind mellem knivene.
- Hvis knivene kommer i kontakt med sten eller andre hårde genstande, skal du straks standse motoren og kontrollere knivene for beskadigelse, efter tændrørshætten er fjernet. Udskift knivene, hvis de er beskadiget.
- Du må aldrig røre eller nærme dig knivene, mens de kører. Knivene kan nemt skære din finger af. Ved håndtering eller ved nærmelse af kniven skal motoren stoppes, og tændrørshætten fjernes.
- Hvis der sætter sig tykke grene fast i knivene, skal du straks stoppe motoren, lægge stanghækkeklipperen ned og derefter fjerne forhindringen, efter tændrørshætten er fjernet. Kontroller knivene for beskadigelse, inden udstyret bruges igen.
- Accelerering af motoren med blokerede knive forøger belastningen, og kan muligvis medføre beskadigelse af motoren og/eller koblingen.
- Kontroller knivene regelmæssigt for revner eller sløve knivsægge under anvendelsen. Inden eftersyn skal du slukke for motoren, og vente indtil knivene er helt stoppet. Udskift beskadigede eller sløve knive, selv hvis de kun har overfladiske revner.
- Rør ikke ved gearkassen. Gearkassen bliver varm under anvendelsen.
- Hold pauser for at forhindre tab af kontrol pga. træthed. Vi anbefaler, at du tager en 10 til 20 minutters pause hver time.
- Inden klipning skal du trække helt tilbage i gashåndtaget for at opnå maksimal hastighed.
- Hold altid stanghækkeklipperen med begge hænder under anvendelsen.
- Brug kun stanghækkeklipperen i god belysning og med godt udsyn. Vær opmærksom på glatte eller våde områder (is og sne) i den kolde sæson (fare for at glide), og sørg altid for at have et godt fodfæste.
- Brug aldrig stanghækkeklipperen, mens du står på et ustabilt sted eller en stejl bakke.
- Brug aldrig stanghækkeklipperen mens du står på en stige.
- Klutr aldrig op i et træ for at bruge stanghækkeklipperen oppe i træet.
- For at undgå at snuble eller falde over genstande skal du aldrig gå baglæns, når du arbejder med stanghækkeklipperen.
- Stop altid motoren inden du rengør eller reparerer maskinen. Du må heller ikke udskifte dele, før motoren er blevet stoppet.
- Anvend ikke stanghækkeklipperen, hvis knivenheden er beskadiget eller slidt.



## Vibration

- Personer med dårligt blodomløb, der udsættes for kraftige vibrationer, risikerer beskadigelse af blodkar eller nervesystemet. Vibrationer kan medføre følgende symptomer i fingre, hænder eller håndled: Leddet "sover" (følelseløshed), prikken, smerte, stikken, ændring af hudfarven eller af huden. Søg læge, hvis nogle af disse symptomer opstår!
- For at reducere risikoen for "hvide fingre-syndrom" skal du holde dine varme under anvendelsen og vedligeholde udstyret og tilbehøret ordentligt.

## Vedligeholdelsesvejledning

- Få dit udstyr repareret på vores autoriserede servicecenter, hvor der altid anvendes originale reservedele. Forkert reparation og dårlig vedligeholdelse kan forkorte udstyrets levetid og forhøje risikoen for uheld.
- Du skal altid gøre alt for holde forurening og støjemissioner på et så lavt niveau som muligt, når du anvender stanghækkeklipperen. Vær særlig opmærksom på korrekt justering af karburatoren.
- Rengør stanghækkeklipperen med regelmæssige mellemrum og kontroller jævnligt at alle møtrikker og bolte ordentligt strammes.
- Stanghækkeklipperen bør aldrig repareres eller opbevares i nærheden af åben ild, gnister eller lignende.
- Reparer aldrig bøjedede eller ødelagte knive ved at rette dem ud eller svejse dem. Det kan medføre at dele af knivene falder af og forårsager alvorlig personskade. Kontakt et autoriseret DOLMAR-servicecenter angående originale DOLMAR-knive til udskiftning af dem.
- For at undgå yderligere skader og/eller personskader skal du ikke reparere en defekt stanghækkeklipper, hvis du ikke er kvalificeret til at gøre det. Kontakt altid din forhandler eller en autoriseret serviceagent angående reparationer.

Forsøg ikke at modificere eller ombygge stanghækkeklipperen, da dette muligvis kan påvirke driftssikkerheden.

Det vedligeholdelsesarbejde, som kan udføres af brugeren, er begrænset til de aktiviteter, som er beskrevet i denne brugsanvisning. Alle andre procedurer skal udføres af en godkendt serviceagent.

Bed et autoriseret DOLMAR-servicecenter om at efterse og vedligeholde stanghækkeklipperen med regelmæssige mellemrum.

Brug kun originale reservedele og tilbehør leveret fra DOLMAR via autoriserede servicecentre.

Brug af uautoriseret tilbehør og værktøjer kan muligvis forøge risikoen for uheld og tilskadekomst. DOLMAR påtager sit intet ansvar overhovedet for uheld eller skader, der opstår pga. brugen af uautoriseret tilbehør og dele.

## Opbevaring

- Foretag fuld rengøring og vedligeholdelse inden udstyret sættes til opbevaring. Sæt sværdhylsteret på.
- Tøm brændstoftanken inden opbevaring og opbevar altid stanghækkeklipperen i et aflåst rum med god udluftning. Sørg for at stanghækkeklipperen altid er uden for børns rækkevidde.
- Læn ikke udstyret op ad noget andet som f.eks. en væg. Ellers kan stanghækkeklipperen pludselig falde ned og forårsage personskade.

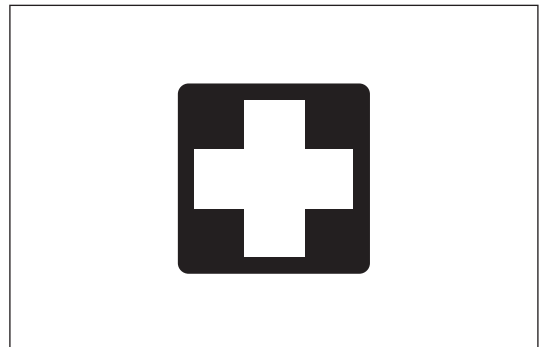
## Førstehjælp

Som en forholdsregel hvis der skulle opstå et uheld, skal du sørge for at have en fyldt førstehjælpskasse klar til rådighed.

Erstat de brugte emner fra førstehjælpskassen så hurtigt som muligt.

## Når du tilkalder hjælp i et nødstilfælde, skal du opgive følgende oplysninger:

- Sted for ulykke
- Hvad der er sket
- Antallet af tilskadede personer
- Grad af tilskadekomst
- Dit navn



**Kun for lande i Europa**

**EF-overensstemmelseserklæring**

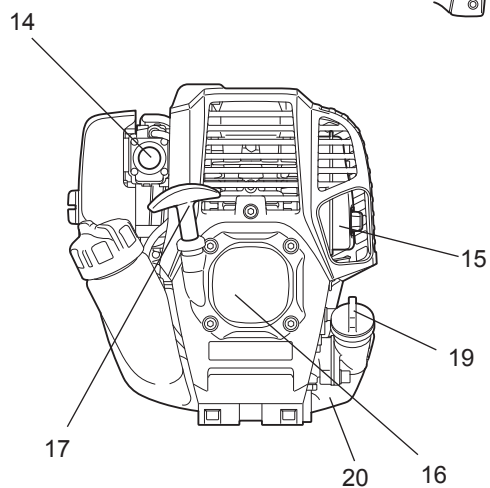
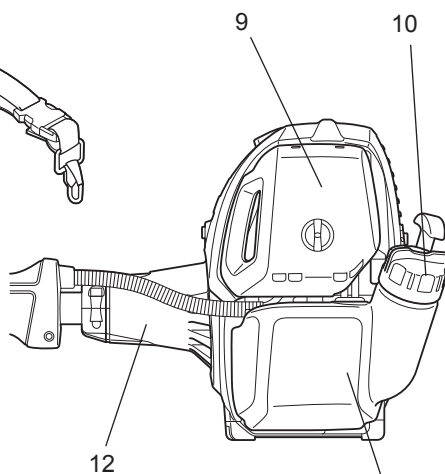
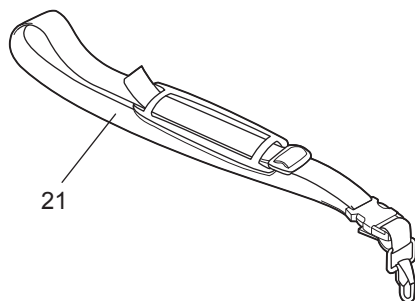
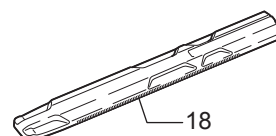
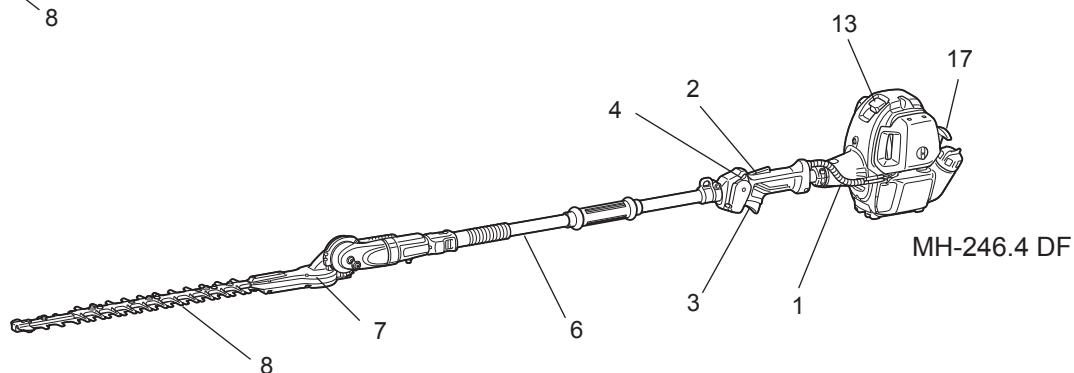
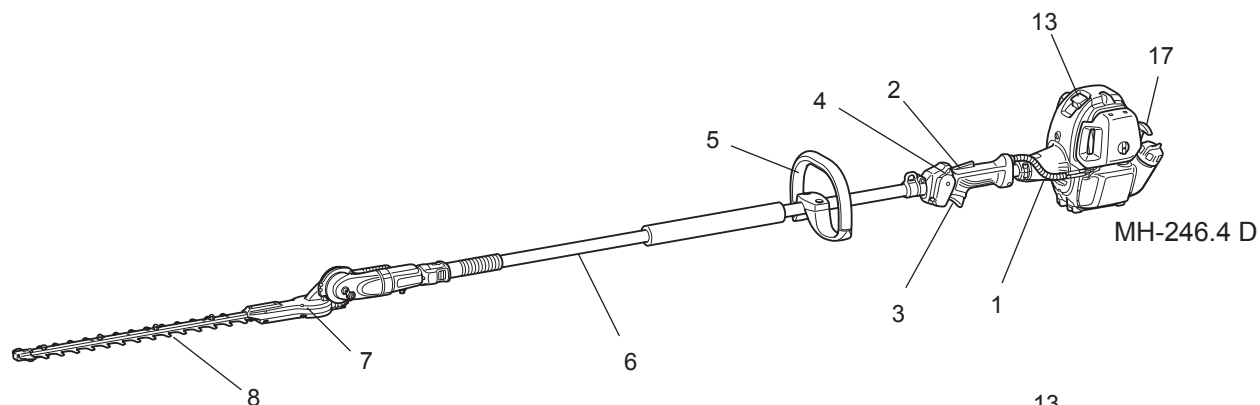
EF-overensstemmelseserklæringen er inkluderet som appendiks A til denne betjeningsvejledning.

## TEKNISKE DATA

Model	MH-246.4 D		MH-246.4 DF		
	Bøjlehåndtag		Lige håndtag		
Mål (L x B x H)	2.550 mm x 242 mm x 241 mm		2.050 mm x 221 mm x 241 mm		
Nettovægt	6,9 kg		6,6 kg		
Volumen (brændstoftank)	0,6 l				
Skærelængde	490 mm				
Maksimal grendiameter	7 mm				
Arbejdsslag	4.200 min <sup>-1</sup>				
Motortype	Luftkølet, 4-takts, enkeltcylinder				
Motorvolumen	25,4 cm <sup>3</sup>				
Maksimal motorydelse	0,77 kW ved 7.000 min <sup>-1</sup>				
Motorhastighed ved anbefalet maksimal spindelhastighed	10.000 min <sup>-1</sup>				
Brændstofforbrug	0,33 kg/t				
Specifikt brændstofforbrug	408 g/kWh				
Tomgangshastighed	3.000 min <sup>-1</sup>				
Omdrejningstal ved indkobling	4.400 min <sup>-1</sup>				
Karburator (Membrankarburator)	Membrantype				
Tændrør	type	NGK CMR4A			
Elektrodeafstand	0,7 - 0,8 mm				
		Vibration pr. ISO 10517		Vibration pr. ISO 10517	
Højre håndtag (bagerste greb)	a <sub>nv eq</sub>	8,5 m/s <sup>2</sup>		7,0 m/s <sup>2</sup>	
	Usikkerhed K	1,3 m/s <sup>2</sup>		3,1 m/s <sup>2</sup>	
Venstre håndtag (forreste greb)	a <sub>nv eq</sub>	6,4 m/s <sup>2</sup>		5,1 m/s <sup>2</sup>	
	Usikkerhed K	2,6 m/s <sup>2</sup>		1,5 m/s <sup>2</sup>	
		Støj pr. ISO 10517		Støj pr. ISO 10517	
Lydtryksniveau	90 dB (A)		90,2 dB (A)		
Usikkerhed K	1,8 dB (A)		1,0 dB (A)		
Lydeffektniveau	103,0 dB (A)		104,1 dB (A)		
Usikkerhed K	1,0 dB (A)		0,4 dB (A)		
Brændstof	Almindelig benzin				
Motorolie	API grad SF-klasse eller højere, SAE 10W-30-olie (4-takts bilmotorolie)				
Gearforhold	1/4,78				



## DELENES BETEGNELSER



Delenes betegnelser	
1	Gaskabel
2	Låsehåndtag
3	Gashåndtag
4	Stop-kontakt
5	Håndtag
6	Skaft
7	Gearkasse
8	Kniv
9	Luffilter
10	Brændstoftankdæksel
11	Brændstoftank
12	Koblingshus
13	Tændrørshætte
14	Tipper
15	Lyddæmper
16	Rekylstarter
17	Starthåndtag
18	Sværdhylster
19	Oliedæksel
20	Olietank
21	Bærerem (ekstraudstyr)

## SAMLING

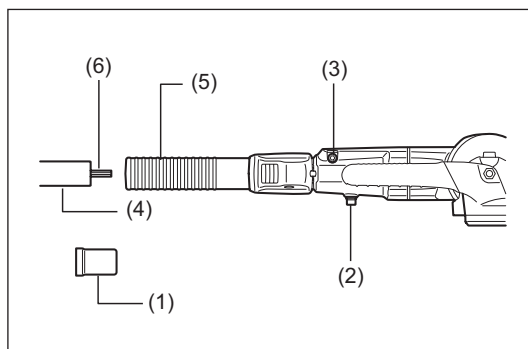
### ⚠ ADVARSEL:

- Sørg for at motoren er slukket, og tændrørshætten er fjernet, inden du samler stanghækkeklipperen.
- Bær arbejdshandsker!
- Afskærm knivene med det medfølgende sværdhylster, når du tilslutter klippeenheden til stangen.

1. Fjern hættten (1) fra skaffet.
2. Løsn M5 x 16-bolten (2) og M5 x 25-bolten (3).
3. Sæt skaffet (4) ind i dækstykket (5).

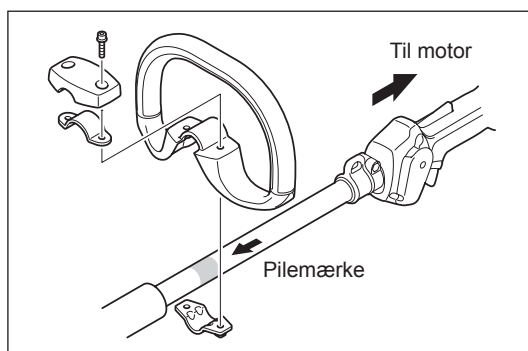
BEMÆRK: Sørg for, at skaffet er sat fuldstændig ind i dækstykket (ca. 237 mm/ 9-3/8").  
Hvis du har problemer med at sætte skaffet ind, skal du manuelt dreje drivakslen (6) en lille smule og prøve igen.

4. Sørg for at skaffet er sat ordentligt ind og stram derefter M5 x 16-bolten og M5 x 25-bolten.



### MONTERING AF HÅNDTAGET (til MH-246.4 D)

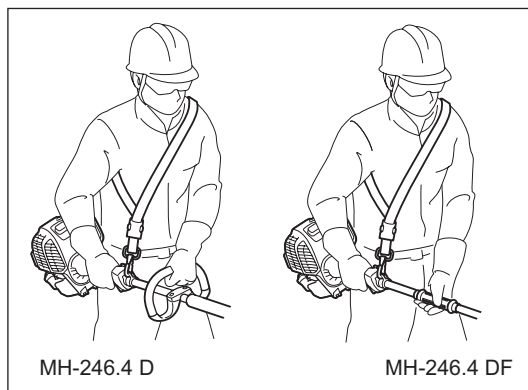
- Fastgør bøjlehåndtaget på skaffet som vist.
- For at holde en korrekt afstand mellem grebene skal du placere bøjlehåndtaget foran pilene.



## BÆREREM (ekstraudstyr)

### Sådan anvendes bæreremmen

- Placer bæreremmen over den venstre skulder.
- Hold stanghækkeklipper-enheden på højre side af kroppen.
- Monter remmen til bøjlen der sidder på stanghækkeklipperen, og juster længden af remmen, så du opnår en behagelig arbejdsposition.

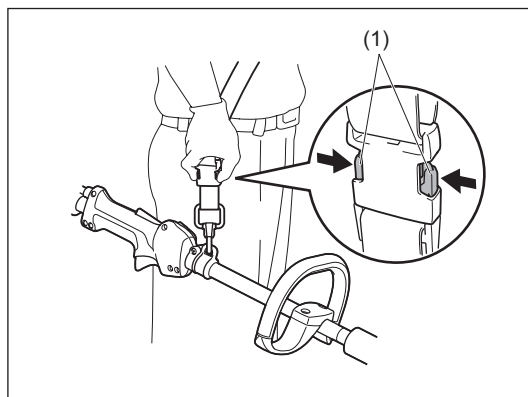


### Aftagning

- I en nødsituation skal du trykke på indhakkene (1) på begge sider, hvorefter du kan frigøre dig fra maskinen.

Du skal være meget omhyggelig med at beholde kontrollen over maskinen på dette tidspunkt. Tillad ikke maskinen at blive slået tilbage mod dig eller andre i nærheden.

ADVARSEL: Hvis du ikke har fuld kontrol over maskinen, kan det resultere i alvorlig kvæstelse eller DØD.



# BRÆNDSTOF/PÅFYLDNING AF BRÆNDSTOF

## INDEN ANVENDELSE

### Eftersyn og opfyldning af motorolie

- Udfør den følgende procedure med afkølet motor.
- Hold motoren vandret, fjern oliedækslet (Fig. 1) og kontroller om der er olie i området mellem olierørets mærker for øvre og nedre grænse (Fig. 2).
- Påfyld olie op til mærket for den øvre grænse, hvis der mangler olie (oliestanden er tæt på mærket for den nedre grænse) (Fig. 3).
- Området omkring de udvendige mærker er gennemsigtigt, så oliemængden kan kontrolleres, uden at oliedækslet behøves at tages af. Men hvis olierøret bliver meget beskidt, kan det blive svært at se udefra, og oliestanden må kontrolleres vha. det trindelte afsnit inden i olierøret.
- Som reference skal der påfyldes olie ca. hver 10. time (hver 10 påfyldninger). Hvis olien skifter farve, eller der kommer snavs i, skal den udskiftes med ny olie. (For udskiftningsinterval og metode, se side 188)

**Anbefalet olie:** SAE 10W-30 olie under API-klassifikation, klasse SF eller højere (4-takts bilmotor)

**Olievolumen:** Ca. 0,08 l

**BEMÆRK:** Hvis motoren ikke holdes i oprejt stilling, kan olie bevæge sig rundt i motoren, og der fyldes muligvis for meget på. Hvis der påfyldes olie over grænsen, kan olien blive beskidt og eventuelt antændes med afgivelse af hvid røg til følge.

### Punkt 1 i Udskiftning af olie: "Oliedæksel"

- Fjern støv og snavs i nærheden af oliepåfyldningsåbningen og fjern oliedækslet.
- Sørg for at holde det aftagne oliedæksel fri for sand og støv. I modsat fald kan sand eller støv, der sidder fast på oliedækslet medføre irregulær olie-cirkulation eller slid på motordelene, hvilket kan forårsage problemer.

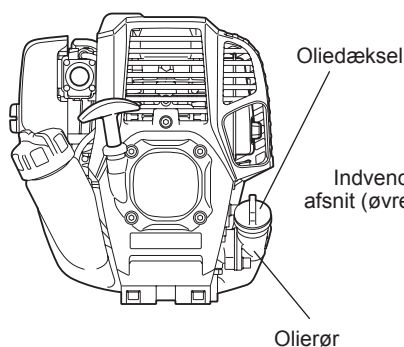


Fig. 1

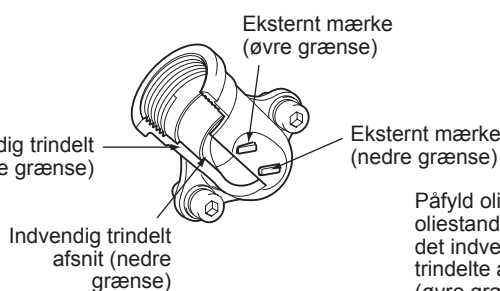
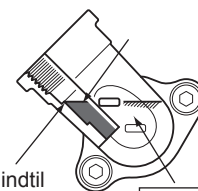


Fig. 2 Olierør

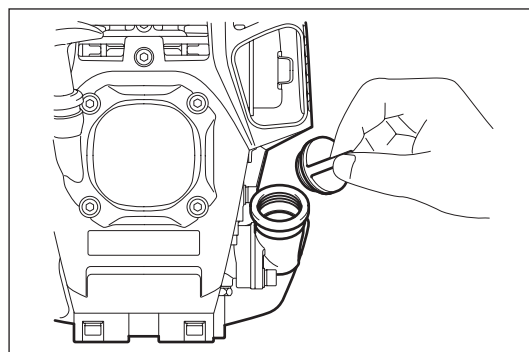


Påfyld olie indtil oliestanden når det indvendige trindelte afsnit (øvre grænse).

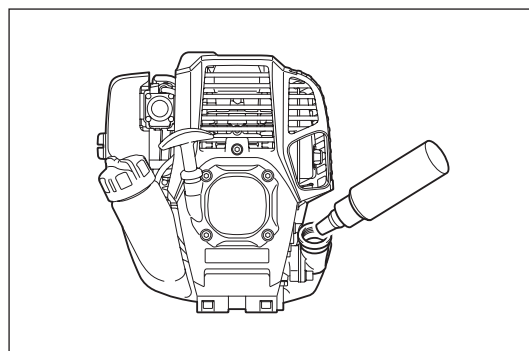
Området mellem de eksterne ydre og nedre grænser er gennemsigtigt, så oliestanden kan kontrolleres udefra vha. disse mærker.

Fig. 3

(1) Hold motoren vandret og fjern oliedækslet.



(2) Påfyld olie op til mærket for den øverste grænse. (se Fig. 3)  
Brug en olieflaske ved påfyldning.



(3) Stram oliedækslet ordentligt til. Der kan spildes olie, hvis det ikke strammes ordentligt.

#### Bemærk

- Skift ikke olie, mens motoren er i en vippe position.
- Påfyldes der olie, mens motoren er vippet, medfører det overopfyldning, hvilket forårsager olieforurening og/eller hvid røg.

#### Punkt 2 i Udskiftning af olie: "Hvis der spildes olie"

- Hvis der spildes olie mellem brændstoftanken og motoren, suges olien ind gennem luftafkølingsindtaget, hvilket kan forurene motoren. Sørg for at tørre spildt olie af inden start af maskinen.

## PÅFYLDNING AF BRÆNDSTOF

### Håndtering af brændstof

Det er nødvendigt at håndtere brændstof med stor forsigtighed. Brændstof kan indeholde substanser, der minder om opløsningsmidler. Påfyldning af brændstof skal udføres i et tilstrækkeligt ventileret rum eller i fri luft. Indhaler aldrig brændstofdamp og hold brændstof væk fra dig. Hvis du rører gentagne gange ved brændstof, eller i lang tid, bliver huden tør, og det kan muligvis medføre hudsygdomme eller allergi. Hvis du får brændstof i øjet, skal du rense øjet med rent vand. Hvis det stadig er irriteret, skal du kontakte en læge.

### Opbevaringsperiode for brændstof

Brændstof bør opbruges inden for 4 uger, selvom det opbevares i en særlig beholder på et veludluftet sted afskærmet fra solen. Ellers kan brændstoffet nedbrydes på en dag.

### OPBEVARING AF MASKINE OG GENOPFYLDNINGSTANK

- Opbevar maskinen og tanken på et køligt sted uden for direkte sollys.
- Opbevar aldrig brændstoffet i en bil.

### Brændstof

Motoren er en firetakts motor. Sørg for, at anvende almindelig blyfri benzin, oktan 87 eller højere ((R+M)/2). Det må ikke indeholde mere end 10 % alkohol (E-10).

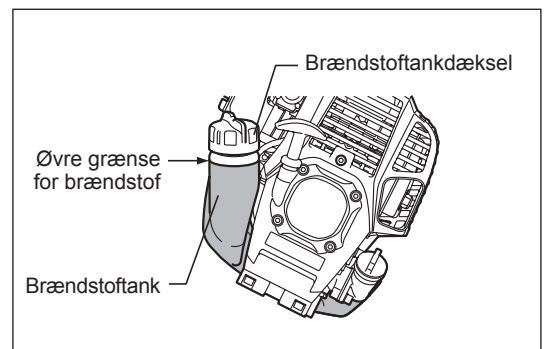
### Punkter angående brændstof

- Brug aldrig en benzinblanding der indeholder motorolie. I modsat fald vil det medføre en for stor kulophobning eller mekaniske problemer.
- Brug af gammel olie medfører startproblemer.

### Påfyldning af brændstof

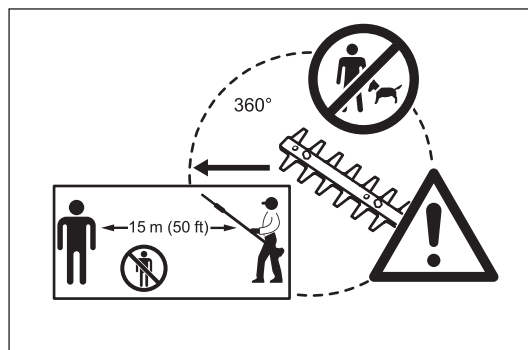
#### ADVARSEL: BRANDFARLIGE STOFFER ER STRENGT FORBUDT

- Løsn tankdækslet en lille smule for at udligne trykket i tanken.
  - Tag tankdækslet af, påfyld brændstof og luk luften ud ved at tippe brændstoftanken sådan at brændstofåbningen vender opad. (Fyld IKKE brændstof op til kanten af tanken.)
  - Tør tankdækslet ordentligt af for at forhindre fremmedlegemer i at komme ind i brændstoftanken.
  - Efter påfyldning af brændstof skal tankdækslet strammes ordentligt til.
- Hvis der er revner eller skader på tankdækslet, skal det udskiftes.
  - Tankdækslet slides med tiden. Udskift det hvert andet eller tredje år.



## FORHOLDSREGLER INDEN START AF MOTOREN

- Der skal altid være en sikkerhedszone på 15 meter i diameter rundt om arbejdsområdet. Sørg for at alle personer (i særdeleshed børn) og/eller dyr forbliver uden for denne zone.
- Inden start af stanghækkeklipperen skal du kontrollere, at maskinen er i sikker stand, klar til anvendelse. Sørg for at knivene ikke er beskadiget, og kontroller at gashåndtaget fungerer ordentligt. Sørg for, at knivene ikke bevæger sig, når motoren er i tomgang. Hvis maskinen ikke fungerer normalt, skal du kontakte din forhandler for at få maskinen justeret. Sørg for at håndtagene er rene og tørre og afprøv om I-O-kontakten fungerer ordentligt. Start kun motoren i henhold til de instruktioner, der er givet i denne brugsanvisning. Benyt ikke andre metoder til start af stanghækkeklipperen.
- Start kun stanghækkeklipperens motor efter du læst og fuldt ud forstået instruktionerne. Forsøg aldrig at starte en stanghækkeklipper, som ikke er blevet helt samlet. Ellers kan det muligvis medføre alvorlig personskade.
- Inden start af motoren skal du altid kontrollere, at knivene ikke er blokeret af sten, grene eller andre hårde genstande.
- Kontroller arbejdsområdet for ståltråd, ledninger, glas eller andre fremmedlegemer som kan sætte sig fast i knivene.
- Elektrisk stød: Vær opmærksom på alle elledninger i nærheden. Kontroller hele arbejdsområdet for strømledninger og elhegn, inden du starter arbejdet.



## PUNKTER VEDRØRENDE BETJENING OG STOPPROCEDURE

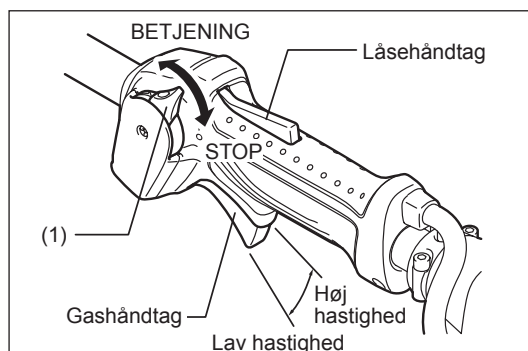
Overhold de gældende bestemmelser for ulykkesforebyggelse!

### START

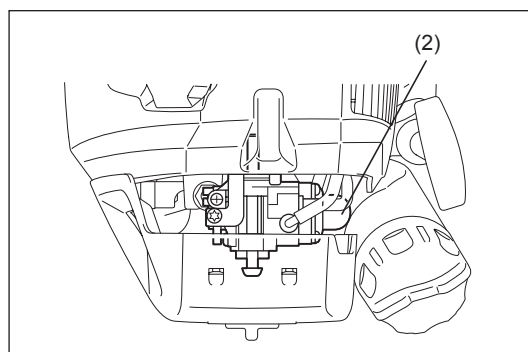
Gå mindst 3 m væk fra stedet for brændstofpåfyldningen. Læg stanghækkeklipperen ned på et rent jordunderlag, mens du passer på, at knivene ikke kommer i kontakt med jorden eller andre genstande.

#### A: Koldstart

- 1) Placer maskinen på et plant område.
- 2) Sæt I-O kontakten (1) på BETJENING.

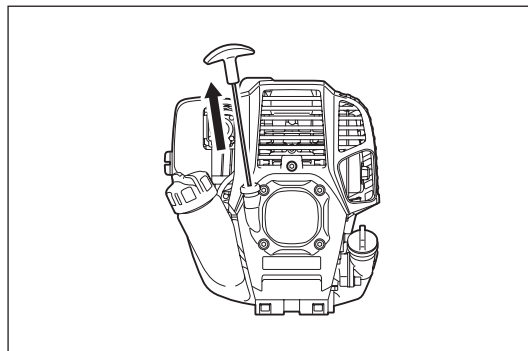


- 3) Tipper  
Fortsæt med at trykke på tipperen (2) indtil der kommer brændstof ind i tipperen. (Normalt kommer der brændstof ind i tipperen efter 7 til 10 tryk.) Hvis der trykkes for meget på tipperen, vender det overskydende brændstof tilbage til brændstoftanken.



- 4) Rekylstarter  
Træk forsigtigt i starthåndtaget indtil det bliver hårdt at trække i (kompressionspunktet). Før derefter starthåndtaget tilbage, og træk hårdt i det. Træk aldrig snoren maksimalt ud. Når først starthåndtaget er trukket, må du aldrig slippe med det samme. Hold i starthåndtaget indtil det vender tilbage til den oprindelige position.
- 5) Opvarmning  
Fortsæt opvarmning i 2 til 3 minutter.

**BEMÆRK:** Hvis der er opstået et for stort brændstofindtag, skal du fjerne tændrøret og trække langsomt i starthåndtaget for at fjerne det overskydende brændstof. Tør også tændrørets elektrodedel af.



#### **B: Opstart efter opvarmning**

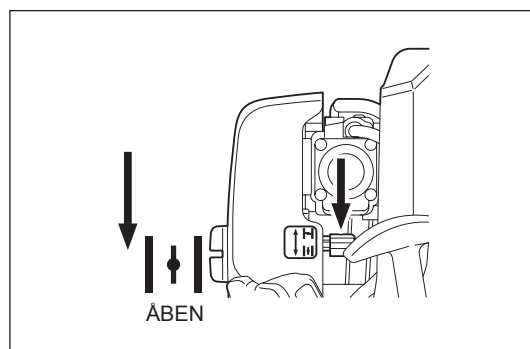
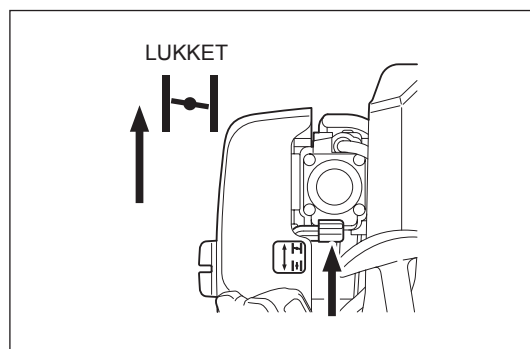
- 1) Tryk forsigtigt flere gange på tipperen.
- 2) Hold gashåndtaget på tomgangspositionen.
- 3) Træk hårdt i rekylstarteren.
- 4) Hvis det er svært at starte motoren, skal du åbne gashåndtaget med cirka en 1/3.  
Vær opmærksom på knivene, der muligvis bevæger sig.

**Nogle gange, som f.eks. om vinteren, når det er svært at starte motoren, skal du betjene chokerhåndtaget vha. den følgende procedure, når du starter motoren.**

- Efter udførelse af starttrinene 1) til 3) skal du indstille chokerhåndtaget på LUKKET-positionen.
- Udfør starttrin 4) og start motoren.
- Når først motoren starter, indstilles chokerhåndtaget på ÅBEN-positionen.
- Udfør starttrin 5) og gennemfør opvarmningen.

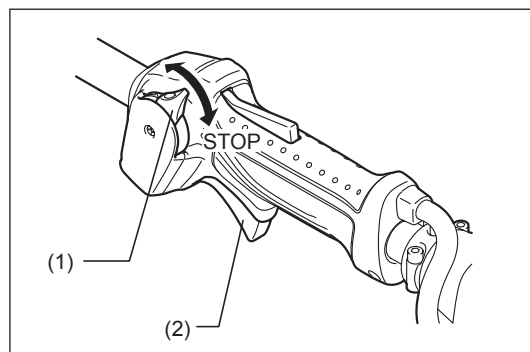
**FORSIGTIG:** Hvis der høres et knald (eksploderende lyd), og motoren stopper, eller den netop startede motor går i stå, inden chokerhåndtaget betjenes, sættes chokerhåndtaget tilbage på ÅBEN-positionen, hvorefter du skal trække et par gange i starthåndtaget igen for at starte motoren.

**FORSIGTIG:** Hvis chokerhåndtaget lades være i LUKKET-positionen, og der blot trækkes gentagne gange i starthåndtaget, suges der for meget brændstof ind, og det bliver svært at starte motoren.



## STOPPROCEDURE

- 1) Slip gashåndtaget (2) helt, og når motorhastigheden er faldet, skal du skubbe I-O kontakten (1) over på STOP for at standse motoren.
- 2) Vær opmærksom på at skærehovedet muligvis ikke stopper øjeblikkeligt, og giv det tid til at bremse helt ned.

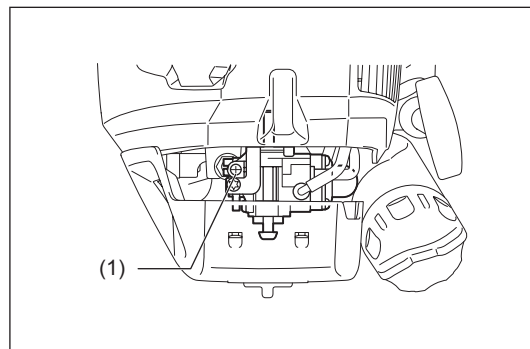


## JUSTERING AF OMDREJNINGER VED LAV HASTIGHED (TOMGANG)

Når det er nødvendigt at justere omdrejningerne ved lav hastighed (tomgang), skal du justere på karburatorens justeringsskruer (1).

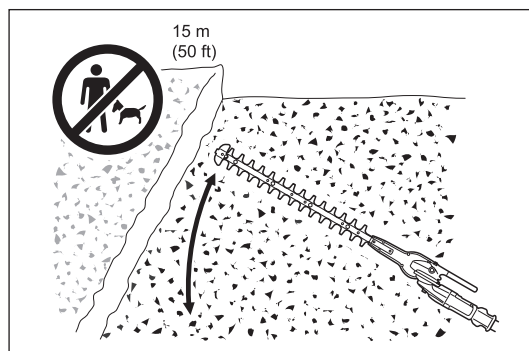
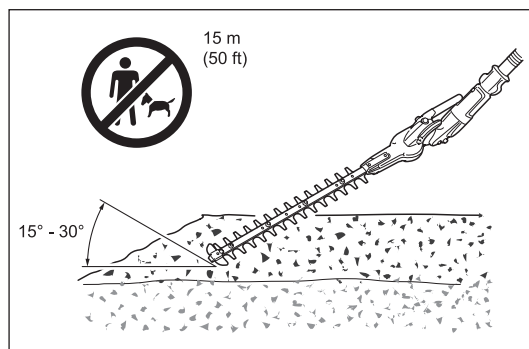
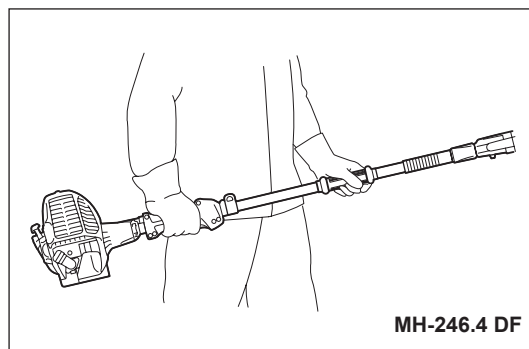
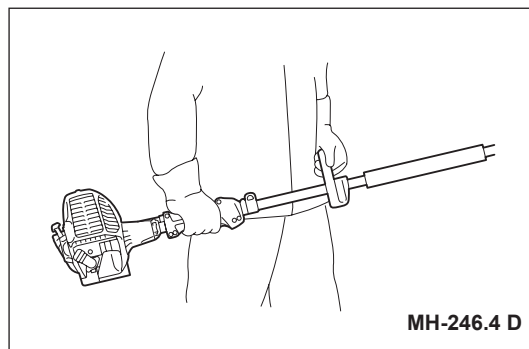
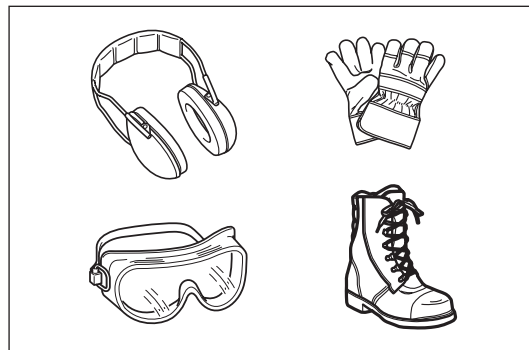
## KONTROL AF OMDREJNINGER VED LAV HASTIGHED

- Indstil omdrejninger ved lav hastighed til 3.000 omdr./min.  
Hvis det er nødvendigt at ændre omdrejningshastigheden, drejes der på justeringsskruen (1) med en ligekærvet skruetrækker.
- Drej justeringsskruen til højre og motorhastigheden forøges. Drej justeringsskruen til venstre for at sænke motorhastigheden.
- Karburatoren justeres normalt inden afsending. Hvis det er nødvendigt at justere den, skal du kontakte et godkendt servicecenter.



## ANVENDELSE AF STANGHÆKKEKLIPPEREN

- Rør ikke ved stanghækkeklipperens knivområde under anvendelsen, eller når motoren kører.
- Vær meget påpasselig med ikke at indånde udstødningsgasser, når du arbejder med stanghækkeklipperen. Betjen aldrig stanghækkeklipperen i et lukket rum eller et område uden tilstrækkelig udluftning (risiko for kvælning og gasforgiftning). Bemærk, at kulilte er lugtfri gas, som ikke kan registreres med lugtesansen.
- Tag derfor altid passende beskyttelsesbeklædning på, inden du begynder at arbejde med stanghækkeklipperen.
- Stop straks motoren, hvis lyddæmperen ikke fungerer ordentligt.
- Brug kun stanghækkeklipperen i god belysning og med godt udsyn.
- Stanghækkeklipperen må ikke anvendes i mørke eller tåge. Vær opmærksom på glatte eller våde områder (is og sne) i den kolde sæson (fare for at glide), og sørg altid for at have et godt fodfæste.
- Brug aldrig stanghækkeklipperen, mens du står på et ustabilt sted eller en stejl bakke.
- Brug aldrig stanghækkeklipperen mens du står på en stige.
- Klatr aldrig op i et træ for at bruge stanghækkeklipperen oppe i træet.
- Kontroller hele tiden arbejdsområdet for ståltråd, ledninger, glas eller andre fremmedlegemer som kan sætte sig fast i knivene.
- Sørg for at knivene bevæger sig hurtigt, inden du begynder at klippe.
- Grib altid fast i stanghækkeklipperen med begge hænder og bevar et fast greb, når du arbejder med maskinen.
- For at sikre optimal kontrol over stanghækkeklipperen skal du altid vikle fingrene hele vejen rundt om håndtagene (brug din tommelfinger som modtryk) og klemme godt til om håndtagene.
- Bemærk, at knivene bliver ved med at bevæge sig i op til to sekunder, efter gashåndtaget er blevet sluppet.
- Klip ikke med stanghækkeklipperen med lav motorhastighed.
- Knivenes hastighed kan ikke justeres ordentligt med gashåndtaget, når motoren kører ved lav hastighed.
- For at klippe toppen på en hæk skal du først rette knivene ind på en 15° - 30° graders vinkel i klipperetningen og holde stanghækkeklipperen i en vandret position. Begynd derefter at klippe hækken vha. en svingende bevægelse, der minder som at tegne cirkler med hækkeklipperskaftet.
- For at klippe siderne på en hæk skal du holde knivene parallelt med den overflade, der skal klippes, og begynde at klippe med havlcirkulære opadgående (ned-op) bevægelse.
- Vær påpasselig når du klipper en hæk, som står tæt på eller langs et trådhegn.
- Lad ikke knivene komme i kontakt med hårde genstande som f.eks. trådhegn, sten eller jorden. Det kan medføre at knivene revner, splintrer eller brækker.
- Brug ikke stanghækkeklipperen i en længere tidsperiode. Som en generel regel skal du for hver 50 minutters anvendelse holde en pause på 10-20 minutter.
- Hvis knivene kommer i kontakt med sten eller andre hårde genstande, skal du straks standse motoren og kontrollere knivene for beskadigelse. Udskift knivene, hvis de er beskadiget.
- Hvis der opstår et problem med stanghækkeklipperen under anvendelsen (mærkelige lyde, vibration osv.), skal du straks stoppe motoren. Brug ikke maskinen igen før årsagen til problemet er fundet, og problemet er løst.
- Du skal altid gøre alt for holde forurening og støjemissioner på et så lavt niveau som muligt, når du anvender stanghækkeklipperen. Vær særlig opmærksom på korrekt karburatorjustering.
- Hvis der sætter sig tykke grene fast i knivene, skal du straks stoppe motoren, lægge udstyret ned på jorden og fjerne hindringen. Kontroller knivene for beskadigelse, inden maskinen bruges igen.





## Justering af klippevinklen

### Advarsel:

- Anvend ikke maskinen med en løs og ustabil skæreenhed.

Du kan justere klippevinklen opad til 45° og nedad til 90°.

1. Stop motoren på stanghækkeklipperen og læg maskinen på jorden.
2. For at justere vinklen på skæreenheden skal du holde i håndtaget **(A)** på skæreenheden med en hånd, og holde vinkellåsen **(B)** som illustreret med den anden hånd.
3. Træk forsigtigt i vinkellåsen og ændr vinklen på skæreenheden. Efter justering af vinklen skal du forsigtigt sætte vinkellåsen tilbage.

### Bemærk:

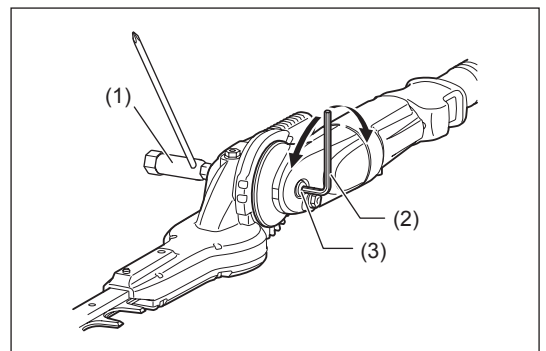
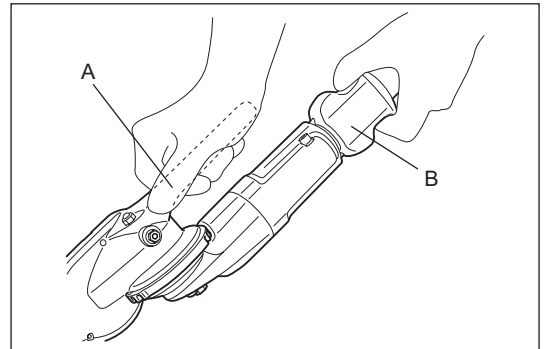
- Skæreenheden kan kun fastgøres i bestemte vinkler langs rillen på enheden. Sørg for at skæreenheden sidder ordentligt. Hvis vinklen ikke passer, afbrydes koblingen, og maskinen fungerer ikke.
- Juster ikke skæreenheden mens stanghækkeklipperen er i en oprejst position.
- Flyt I-O kontakten hen på "O"-positionen og læg stanghækkeklipperen fladt ned på jorden for at justere klippevinklen.
- Tildæk altid knivene med sværdhylsteret inden du justerer klippevinklen.

Hvis skæreenheden er løs, skal boltene (aksen på vinkeljusteringen) strammes.

1. Placer topnøglen (1) og unbrakonøglen (2) på boltene (3).
2. Juster stramheden af skæreenheden ved at dreje med unbrakonøglen, og fastgør derefter boltene ved at dreje med topnøglen.

### Bemærk:

- Fastgør ikke skæreenheden for stramt. Vinklen på skæreenheden kan ikke ændres, hvis den er for stramt.



## VEDLIGEHOLDELSE

- Inden der udføres noget vedligeholdelsesarbejde på stanghækkeklipperen (rengøring af knive osv.), skal du altid stoppe motoren og vente, indtil motoren er kølet af. Som en yderligere sikkerhedsforanstaltning skal du også fjerne tændrørshætten.
- Prøv ikke at udrette eller svejse bøjedede eller knækkede knive. Du skal altid udskifte beskadigede knive.
- Stop motoren med regelmæssige mellemrum for at kontrollere knivene for eventuelle skader (udfør en banke-resonanstest for at detektere hårridser, der er svære at se). Sørg altid for at sikre, at knivenes tænder er skarpe.
- Rengør regelmæssigt stanghækkeklipperen. Under rengøring skal du også kontrollere, at skruer, møtrikker og bolte er strammet ordentligt.
- For at reducere risikoen for brand skal du aldrig vedligeholde eller opbevare stanghækkeklipperen i nærheden af åben ild.
- Anvend altid robuste beskyttelseshandsker ved håndtering af knivene.
- Kontakt din forhandler angående udskiftning af knive.
- Brug aldrig benzin, benzen, fortynder, alkohol eller lignende til rengøring. Det kan muligvis medføre misfarvning, deformation eller revner.

### Slibning af knive

Hvis knivene er blevet sløve, og klippeydelsen er forringet, skal du få knivene slebet af en autoriseret serviceagent.

### Justering af knivfrigang

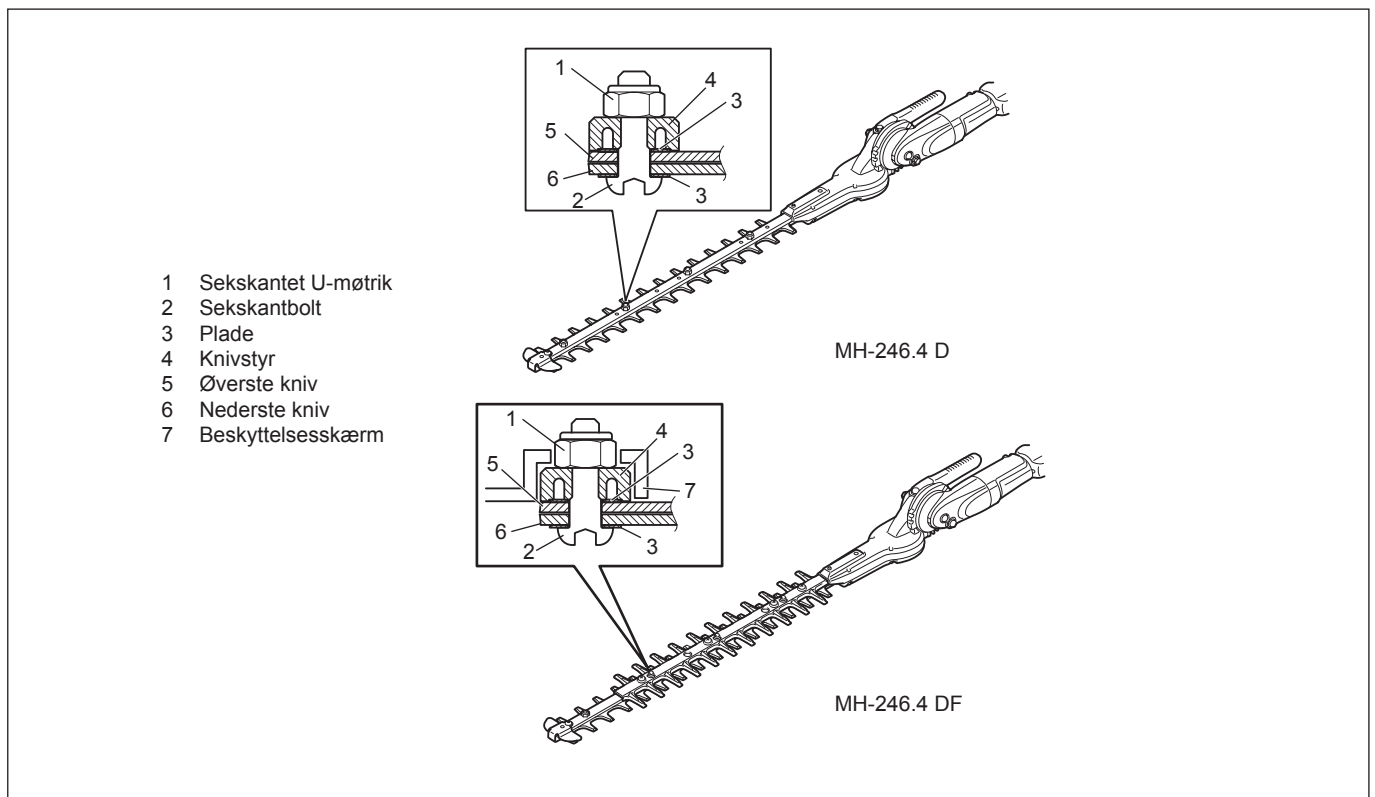
De øvre/nedre knive slides gradvist ved anvendelse. Hvis du ikke kan klippe ordentligt, selvom knivene er skarpe nok, skal du justere frigangen som følger.

Stramheden af sekskantbolten bestemmer knivenes frigang. Møtrikken holder sekskantbolten med en bestemt stramhed. Hvis der er for meget frigang bliver klipningen sløv, men hvis frigangen er for lille, dannes der unødvendig varme, og knivene opslides hurtigere.

1. Løsn møtrikken (1) med en fastnøgle.
2. Stram let sekskantbolten (2) med en unbrakonøgle, indtil den stopper. Skru derefter skruen mellem en kvart omgang og en halv omgang tilbage for at opnå den nødvendige frigang.
3. Stram møtrikken (1) mens du holder sekskantbolten (2).
4. Påfør let olie på gnidningsfladen på knivene.
5. Start motoren og aktiver og slip gashåndtaget i et minut.
6. Stop motoren og mærk på overfladen. Hvis de ikke er for varme at røre ved, er din justering korrekt. Hvis de er for varme at røre ved, skal du dreje sekskantbolten (2) en lille smule tilbage og gentage trin 5 til 6.

**BEMÆRK:** Inden du foretager justeringen, skal du standse motoren og vente på at knivene stopper.

Knivene har en åbning omkring sekskantbolten (2). Hvis du finder støv i enden af nogen af åbningerne, skal åbningen renses.

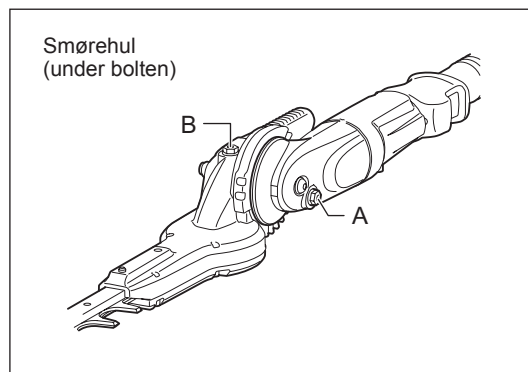


## Påføring af fedt og smøremiddel

**Vigtigt: Kontroller, at overfladen på gearkassen er fuldstændig kold, inden du smører den.**

- Gearkassen på stanghækkeklipperen bør smøres efter hver 25 driftstimer. Smørehullet er placeret under bolten. Fjern bolten for at udføre smøringen. Tilfør henholdsvis ca. 3 g (4 cm<sup>3</sup>) smøremiddel til punkt A på gearkassen og 5 g (7 cm<sup>3</sup>) smøremiddel til punkt B via smørehullet. Sæt bolten tilbage efter smøring. Efter påfyldning af den korrekte mængde smøremiddel kommer der en smule smøremiddel ud fra bunden af kniven under den første anvendelse.

**FORSIGTIG:** Følg smøreintervaller og mængden af smørelse som skal tilføres. Stanghækkeklipperens mekaniske dele kan muligvis tage skade, hvis der ikke tilføres smørelse med de foreskrevne mellemrum, eller hvis der påføres en utilstrækkelig mængde smørelse.



## Daglig inspektion og vedligeholdelse

Udfør følgende eftersyn og vedligeholdelse på daglig basis for at sikre en lang levetid for din stanghækkeklipper.

- Inden brug:
  - Kontroller altid for løse eller manglende dele inden anvendelse. Vær særlig opmærksom på knivenheden og sikr dig, at knivlåseskruerne er strammet ordentligt til.
  - Kontroller for tilstopning af luftafkølingshuller og køleribberne på cylinderen, inden du starter anvendelse. Rengør om nødvendigt.
- Efter brug:
  - Rengør stanghækkeklipperen udvendigt og undersøg for skader.
  - Rens luftfilteret. Rens filteret flere gange om dagen, hvis du arbejder i ekstremt støvede omgivelser.
  - Kontroller knivene for skader. Sikr dig, at knivene er monteret ordentligt.
  - Hvis knivene stadig kører under tomgang efter justeringen, skal du konsultere den nærmeste godkendte serviceagent.

## UDSKIFTNING AF MOTOROLIE

Gammel motorolie forkorter drastisk levetiden for glidende og roterende dele. Sørg for at kontrollere udskiftningstid og kvantitet.



FARE: Generelt er motoren og motorolie stadig meget varm lige efter, at motoren er stoppet. Ved udskiftning af olien skal du sørge for, at motoren og motorolie er tilstrækkeligt afkølet. Ellers er der risiko for forbrænding. Giv motorolie tilstrækkelig tid til at returnere til olietanken efter standsning af motoren for at sikre korrekt læsning af oliestandsindikatoren.

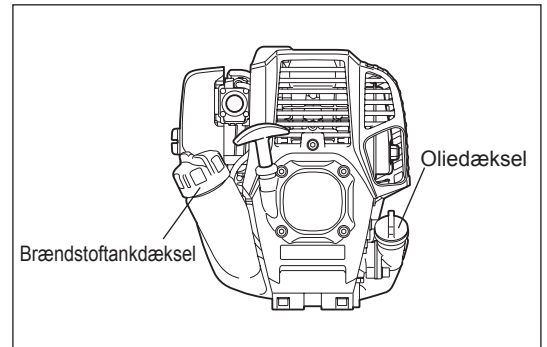
**BEMÆRK:** Hvis der påfyldes olie over grænsen, kan olien blive beskidt og eventuelt antændes med afgivelse af hvid røg til følge.

**Udskiftningsinterval:** Først efter 20 driftstimer, efterfulgt af hver 50 driftstimer

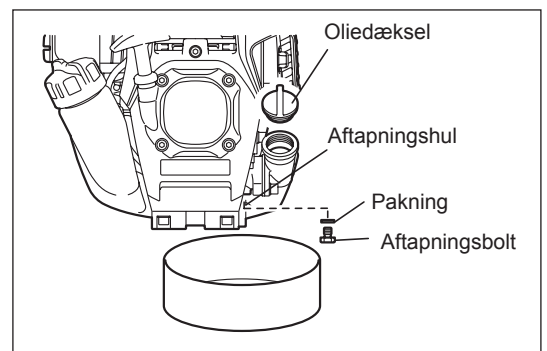
**Anbefalet olie:** SAE 10W-30 olie under API-klassifikation, klasse SF eller højere (4-takts bilmotor)

For udskiftning, udfør følgende procedure.

- 1) Kontrollér, at brændstoftankdækslet er strammet ordentligt til.
- 2) Sæt en stor beholder (skål e.l.) under aftapningshullet.



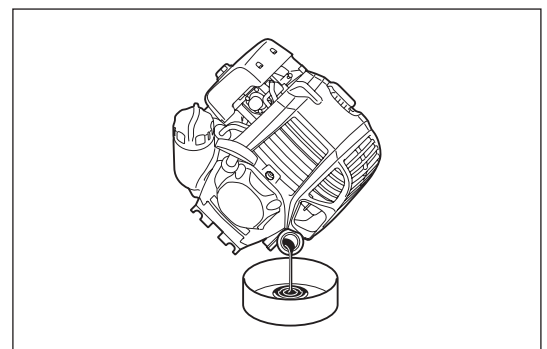
- 3) Fjern aftapningsbolten og fjern derefter oliedækslet for at tappe olien ud af aftapningshullet. Du skal passe på ikke at forlægge pakningen til aftapningsbolten, og sørge for at de aftagne komponenter ikke bliver beskidte.
- 4) Når først al olien er blevet tappet af, skal du sætte pakningen og aftapningsbolten sammen, og stramme aftapningsbolten ordentligt til, så den ikke løsner sig og forårsager lækager.  
\* Brug en klud til tørre al eventuel olie af bolt og udstyr.



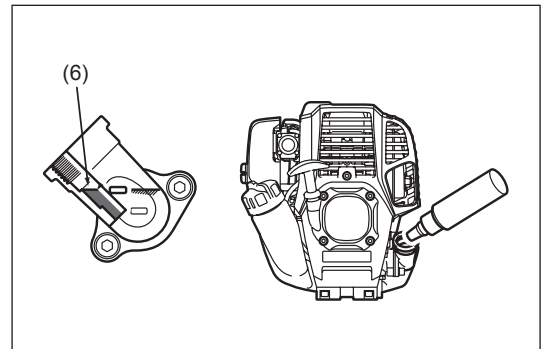
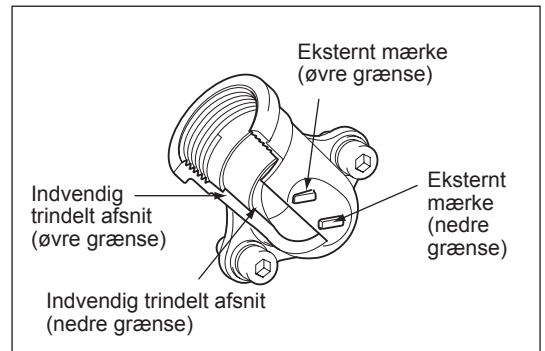
### Alternativ aftapningsmetode

Fjern oliedækslet, vip stanghækkeklipperen mod oliepåfyldningshullet og tap olien af.

Opsaml olien i en beholder.



- 5) Hold motoren vandret og påfyld gradvist ny olie op til mærket for den øvre grænse (6).
- 6) Efter påfyldning skrues oliedækslet ordentligt fast, så det ikke løsner sig og forårsager lækager. Hvis oliedækslet ikke skrues ordentligt på, kan olien lække ud.



#### PUNKTER VEDRØRENDE OLIE

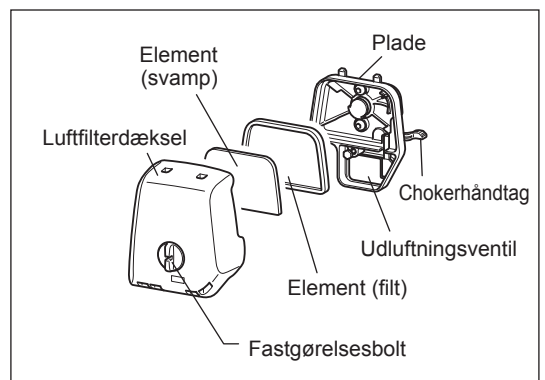
- Smid aldrig skiftet motorolie ud sammen med almindeligt affald, på jorden eller i kloakken. Bortskaffelse af olie er reguleret via loven. De relevante love og bestemmelser skal altid følges ved bortskaffelse af olie. Kontakt en godkendt serviceagent ved tvivls spørgsmål.
- Olien nedbrydes, selvom den ikke bruges. Udfør eftersyn og udskiftning med jævne intervaller (udskift med ny olie hver 6. måned).

## Rensning af luftfilteret

### FARE: Brandfarlige stoffer er strengt forbudt

Kontroller og rengør luftfilteret dagligt eller hver 10. driftstime.

- Drej chokerhåndtaget helt over til den lukkede side og hold karburatoren fri fra støv og snavs.
- Løsn fastgørelsesbolten.
- Tag luftfilterdækslet af ved at trække i dets underside.
- Fjern elementerne og bank på dem for at fjerne snavs.
- Hvis elementerne er meget beskidte:  
Tag elementerne af, dyp dem ned i varmt vand eller et neutralt rengøringsmiddel fortyndet med vand, og tør dem fuldstændigt. Undgå at klemme eller gnide dem under vask.
- Sørg for, at elementerne er helt tørre, inden du sætter dem på igen. Utilstrækkelig tørring af elementerne kan gøre det svært at starte.
- Tør derefter olie, der sidder omkring luftfilterdækslet og udluftningsventilen af med en klud.
- Pas elementet (svampen) ind i elementet (filt).
- Pas elementerne ind i pladen så svampen peger mod luftfilterdækslet.
- Monter straks luftfilterdækslet og spænd det fastgørelsesboltene. (Ved genmonteringen placeres den øvre tap først og derefter den nedre tap.)



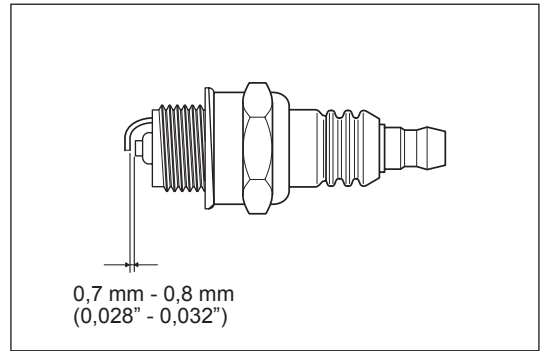
### BEMÆRK:

- Rengør elementerne flere gange om dagen, hvis der sætter sig meget støv i det. Beskidte elementer reducerer motorydelsen og besværliggør start af motoren.
- Fjern olie på elementerne. Hvis maskinen fortsat anvendes, uden at elementerne rengøres for olie, kan olien i luftfilteret muligvis falde ud og resultere i forurening af miljøet.
- Placer ikke elementerne på jorden eller på et beskidt sted. Ellers kan der sætte sig skidt eller snavs på dem, hvilket kan beskadige motoren.
- Brug aldrig brændstof til rensning af elementerne. Brændstoffet kan ødelægge dem.

## KONTROL AF TÆNDRØRET

- Anvend kun den medfølgende skiftenøgle til at afmontere og montere tændrøret med.
- Afstanden mellem tændrørets to elektroder bør være på 0,7 - 0,8 mm (0,028" - 0,032"). Hvis afstanden er for stor eller for lille, skal du justere den. Hvis tændrøret er sodet til eller beskidt, skal du rense det ordentligt og eller udskifte det.

**FORSIGTIG:** Rør aldrig ved tændrørskonnektoren, mens motoren kører (der er risiko for elektrisk stød med høj spænding).



## Rensning af brændstoffilteret (sugehovedet i brændstoftanken)

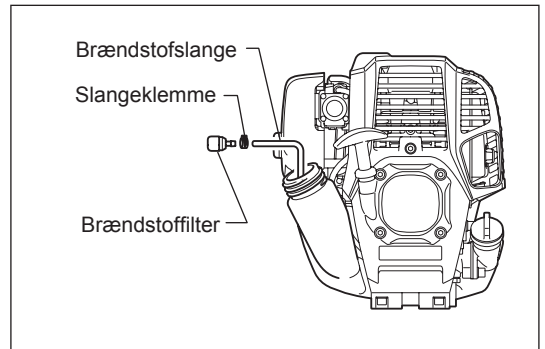
### ADVARSEL: BRANDFARLIGE STOFFER ER STRENGT FORBUDT

Kontroller og rens brændstoffilteret månedligt eller hver 50. driftstime.

Kontroller jævnligt brændstoffilteret. For at kontrollere brændstoffilteret skal du følge trinene nedenfor.

- (1) Tag brændstoftankdækslet af og tøm tanken for brændstof. Kontroller tanken indvendigt for fremmedlegemer. Fjern dem, hvis der er nogen.
- (2) Brug en trådkrog til at trække sugehovedet ud gennem tankåbningen.
- (3) Hvis brændstoffilteret er lettere tilstoppet, skal det rengøres. Rengør det ved at ryste det forsigtigt og banke det let i brændstof. For at undgå beskadigelse skal du ikke klemme eller gnide det. Det brændstof, der anvendes til rengøring, skal bortskaffes i henhold til den metode, som er anført i bestemmelserne for dit land.  
Hvis brændstoffilteret bliver hårdt eller meget tilstoppet, skal det udskiftes.
- (4) Efter kontrol, rengøring eller udskiftning skal du trykke brændstoffilteret helt ned i bunden af brændstoftanken.

Et tilstoppet eller beskadiget brændstoffilter kan medføre utilstrækkelig brændstofforsyning og reducere motorkraften. Udskift brændstoffilteret mindst én gang i kvartalet for at sikre tilfredsstillende brændstofforsyning til karburatoren.



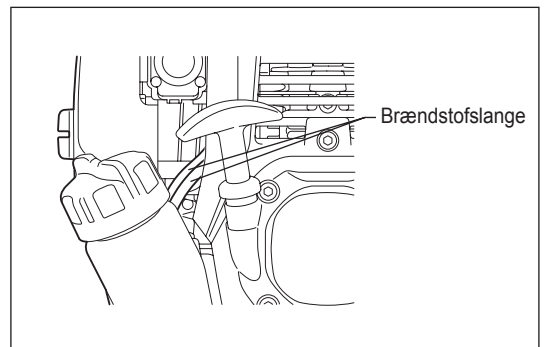
## Udskiftning af brændstofslangen

### FORSIGTIG: Brandfarlige stoffer er strengt forbudt

Kontroller og rengør brændstofslangen dagligt eller hver 10. driftstime.

Udskift brændstofslangen hver 200. driftstime eller hvert år uanset antallet af driftstimer. Ellers kan brændstofflækage føre til brand.

Hvis du finder utætheder under eftersyn, skal brændstofslangen straks udskiftes.



## EFTERSYN AF BOLTE, MØTRIKKER OG SKRUER

- Efterspænd løse bolte, møtrikker osv.
- Kontroller for brændstof- og olielækage.
- Udskift beskadigede dele med nye for sikker betjening.

## RENGØRING AF DELE

- Hold motoren ren ved at tørre den af med en klud.
- Hold altid cylinderribberne fri for støv og snavs. Støv eller snavs der sidder fast på ribberne kan forårsage stempelstop.

## UDSKIFTNING AF PAKNINGER OG TÆTNINGER

Udskift tætninger og pakninger hvis motoren skilles ad.

Forhør dig hos dit lokale DOLMAR-autoriserede servicecenter angående vedligeholdelse eller justering, som ikke er beskrevet i denne brugsanvisning.

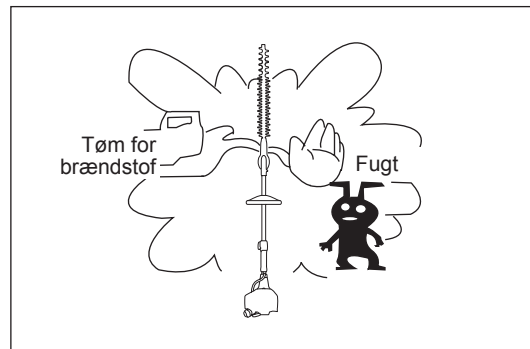
## OPBEVARING

**ADVARSEL:** Når maskinen skal tømmes for brændstof, skal du stoppe motoren, og vente til motoren er kølet af.

Ellers kan der opstå forbrændinger eller brand.

**BEMÆRK:** Når maskinen stilles væk i længere tid, skal du tømme al brændstoffet ud af tanken og karburatoren, og opbevare den på et tørt og rent sted.

- Tøm brændstoftanken og karburatoren for brændstof i henhold til den følgende procedure:
- 1) Tag tankdækslet af og tøm alt brændstoffet ud.  
Hvis der er nogen fremmedlegemer tilbage i brændstoftanken, skal de fjernes fuldstændigt.
- 2) Træk brændstoffilteret ud gennem påfyldningsåbningen med en metaltråd.
- 3) Tryk på tipperen indtil brændstoffet er tømt ud fra den, og udtøm derefter det brændstof der kom ind i brændstoftanken.
- 4) Placer filteret tilbage i brændstoftanken og stram tankdækslet ordentligt til.
- 5) Lad derefter motoren køre indtil den stopper.
- Fjern tændrøret og dryp adskillige dråber motorolie ned gennem tændrørshullet.
- Træk forsigtigt i starthåndtaget så motorolien spredes ud i motoren, og sæt tændrøret på.
- Monter afskærmningen til knivene.
- Maskinen bør generelt opbevares i vandret position. Hvis det ikke er muligt, skal maskinen placeres med motorenheden under skæreværktøjet. Ellers kan der muligvis lække motorolie ud indefra.
- Sørg altid for at opbevare maskinen på et sikkert sted for at forhindre maskinskader og personskader.
- Opbevar det aftappede brændstof i en særlig beholder på et sted i skyggen med god udluftning.



**Bemærk efter lang tids opbevaring**

- Inden start efter lang tids opbevaring skal du sørge for at udskifte olien (se S 188). Olien nedbrydes, mens maskinen ikke anvendes.

Del	Driftstid	Inden anvendelse	Dagligt (10 t)	25 t	50 t	200 t	Sluk/pause	Se side
Motorolie	Efterse/rengør	○						179
	Udskift				○ <sup>*1</sup>			188
Fastgørende dele (bolte, møtrikker)	Efterse	○						190
Brændstoftank	Rengør/efterse	○						-
	Tøm for brændstof						○ <sup>*3</sup>	191
Gashåndtag	Kontroller funktion	○						181
Stop-kontakt	Kontroller funktion	○						181, 183
Knive	Efterse	○	○					181, 186
Omdrejninger ved lav hastighed	Efterse/juster		○					183
Luftfilter	Rengør		○					189
Tændrør	Efterse		○					190
Luftafkølingskanal	Rengør/efterse		○					190
Brændstofslange	Efterse		○					190
	Udskift					◎ <sup>*2</sup>		-
Gearkasseolie	Påfyld			○				187
Brændstoffilter	Rengør/udskift				○			190
Afstand mellem luftindtagsventilen og luftudledningsventilen	Juster					◎ <sup>*2</sup>		-
Motoreftersyn						◎ <sup>*2</sup>		-
Karburator	Tøm for brændstof						○ <sup>*3</sup>	191

\*1 Foretag første udskiftning efter 20 timers brug.

\*2 Ved 200 driftstimers-eftersynet skal du henvende dig til en godkendt serviceagent eller en maskinforretning.

\*3 Efter tømning af brændstoftanken skal du lade motoren fortsætte med at køre og tømme karburatoren for brændstof.



## FEJLFINDING

Kontroller selv for fejl, inden du anmoder om reparation. Hvis du finder noget unormalt, skal du kontrollere maskinen i henhold til beskrivelsen i denne brugsanvisning. Undlad at pille ved eller afmontere dele i strid med beskrivelsen. Kontakt en godkendt serviceagent eller lokal forhandler.

Problem	Sandsynlig årsag (funktionsfejl)	Afhjælpning
Motoren starter ikke	Tipperen er ikke blevet anvendt	Tryk 7 til 10 gange
	Langsom træk hastighed ved træk i startersnoren	Træk hårdt til
	Mangel på brændstof	Påfyld brændstof
	Tilstoppet brændstoffilter	Rengør
	Knækket brændstofslange	Ret brændstofslangen ud
	Gammelt brændstof	Gammelt brændstof gør det svært at starte. Udskift med nyt. (Anbefalet udskiftning: 1 måned)
	For stort brændstofindtag	Sæt gashåndtaget fra medium hastighed til høj hastighed, og træk i starthåndtaget, indtil motoren starter. <b>Knivene begynder at bevæge sig, så snart motoren starter. Vær meget opmærksom på knivene.</b> Hvis motoren stadig ikke starter, fjern tændrøret, tør elektroden af, og saml dem igen. Start derefter som anvist.
	Aftaget tændrørshætte	Sæt den ordentligt på
	Snavset tændrør	Rengør
	Unormal tændrørsafstand	Juster afstanden
	Andre problemer med tændrør	Udskift
	Unormal karburator	Anmod om eftersyn og vedligeholdelse.
	Startersnor kan ikke trækkes ud	Anmod om eftersyn og vedligeholdelse.
	Unormalt drivsystem	Anmod om eftersyn og vedligeholdelse.
Motoren stopper hurtigt Motorhastigheden stiger ikke	Utilstrækkelig opvarmning	Foretag opvarmning
	Chokerhåndtaget er sat på "H"-positionen, selvom motoren er varmet op.	Sæt til "I"
	Tilstoppet brændstoffilter	Rengør eller udskift
	Snavset og tilstoppet luftfilter	Rengør
	Unormal karburator	Anmod om eftersyn og vedligeholdelse.
Knivene bevæger sig ikke	Forkert vinkel på skæreenhed	Sørg for at vinkellåsen går ordentligt i indhak.
	Knivenes tilspændingsmøtrik er løsnet	Stram ordentligt til
	Der sidder grene fast i knivene.	Fjern fremmedlegemer
	Unormalt drivsystem	Anmod om eftersyn og vedligeholdelse.
Stop straks motoren		
Maskinen vibrerer unormalt	Brækkede, bøjede eller udslidte knive	Udskift knive
	Knivenes tilspændingsmøtrik er løsnet	Stram ordentligt til
	Unormalt drivsystem	Anmod om eftersyn og vedligeholdelse.
Stop straks motoren		
Knivene stopper ikke med det samme	Høj tomgangsrotation	Juster
	Afbrudt gashåndtagsledning	Sæt den ordentligt på
	Unormalt drivsystem	Anmod om eftersyn og vedligeholdelse.
Stop straks motoren		
Motoren stopper ikke	Løsrevet kontakt	Sæt den ordentligt på
	Unormalt el-system	Anmod om eftersyn og vedligeholdelse.
Kør motoren i tomgang og sæt chokerhåndtaget til "H"		

Når motoren ikke starter efter foretagelse af opvarmning:

Hvis der ikke er fundet noget unormalt blandt de kontrollerede punkter, skal du åbne gashåndtaget cirka 1/3 og starte motoren.

Σας ευχαριστούμε που επιλέξατε αυτό το κονταροψάλιδο μπορντούρας της DOLMAR. Βρισκόμαστε στην ευχάριστη θέση να σας προσφέρουμε αυτό το προϊόν, το οποίο είναι το αποτέλεσμα ενός μακρού προγράμματος ανάπτυξης και πολλών χρόνων γνώσεων και εμπειρίας.

Για να αποκτήσετε με ασφάλεια τα καλύτερα δυνατά αποτελέσματα από το κονταροψάλιδο μπορντούρας της DOLMAR, διαβάστε προσεκτικά αυτό το εγχειρίδιο πριν χρησιμοποιήσετε το μηχάνημα και ακολουθήστε όλες τις οδηγίες που δίνονται στο παρόν για να διασφαλιστεί η σωστή λειτουργία του κονταροψάλιδου μπορντούρας της DOLMAR.



## Πίνακας περιεχομένων

## Σελίδα

Σύμβολα .....	194
Οδηγίες ασφαλείας .....	195
Τεχνικά δεδομένα .....	200
Καθορισμός εξαρτημάτων .....	201
Συγκροτημα .....	202
Ιμαντας ωμου (προαιρετικό εξάρτημα) .....	202
Καύσιμα/ανεφοδιασμός .....	203
Προφυλάξεις πριν την εκκίνηση του κινητήρα .....	205
Χειρισμός του κονταροπριόνου μπορντούρας .....	208
Συντήρηση .....	210
Αποθήκευση .....	215
Επίλυση προβλημάτων .....	217

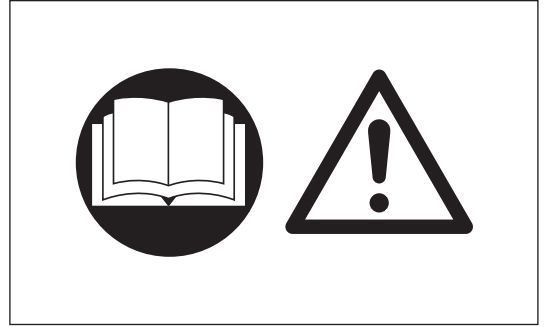
## ΣΥΜΒΟΛΑ

Παρακαλούμε δώστε προσοχή στα ακόλουθα σύμβολα κατά την ανάγνωση αυτού του εγχειριδίων οδηγιών.

	ΠΡΟΕΙΔΟΠΟΙΗΣΗ/ΚΙΝΔΥΝΟΣ		Δώστε προσοχή στο μάγκωμα
	Πριν από τη χρήση, διαβάστε προσεκτικά και κατανοήστε πλήρως τις οδηγίες σε αυτό το εγχειρίδιο		Δώστε προσοχή στα ηλεκτρικά καλώδια, υπάρχει κίνδυνος ηλεκτροπληξίας
	ΑΠΑΓΟΡΕΥΣΗ		Καύσιμο (Βενζίνη)
	Απαγορεύεται το κάπνισμα		Κινητήρας με χειροκίνητη εκκίνηση
	Όχι γυμνές φλόγες		Διακοπή έκτακτης ανάγκης
	Να φοράτε προστατευτικά παπούτσια		Πρώτες βοήθειες
	Να φοράτε προστατευτικά γάντια		ΕΝΕΡΓΟΠΟΙΗΣΗ/ΕΚΚΙΝΗΣΗ
	Μην επιτρέπετε να υπάρχουν στο χώρο άλλα πρόσωπα και κατοικίδια ζώα		ΑΠΕΝΕΡΓΟΠΟΙΗΣΗ/ΣΤΑΜΑΤΗΜΑ
	Να φοράτε κράνος και προστατευτικά για τα μάτια και τα αφτιά		

## Γενικές οδηγίες

- Πριν από τη χρήση, διαβάστε προσεκτικά αυτό το εγχειρίδιο και εξοικειωθείτε με το σωστό χειρισμό του κονταροψάλιδου μπορντούρας. Ο ΕΞΟΠΛΙΣΜΟΣ ΑΥΤΟΣ ΜΠΟΡΕΙ ΝΑ ΠΡΟΚΑΛΕΣΕΙ ΣΟΒΑΡΟ ΤΡΑΥΜΑΤΙΣΜΟ ΑΝ ΔΕΝ ΧΡΗΣΙΜΟΠΟΙΗΘΕΙ ΣΩΣΤΑ!
- Πάντα να παρέχετε λεπτομερείς οδηγίες για το σωστό τρόπο χρήσης του κονταροψάλιδου μπορντούρας όταν το δανείτε σε άλλο πρόσωπο. Βεβαιωθείτε ότι το εγχειρίδιο οδηγιών θα παραδοθεί μαζί με το κονταροψάλιδο μπορντούρας.
- Οι χρήστες που το χρησιμοποιούν για πρώτη φορά θα πρέπει να ζητήσουν από τον αντιπρόσωπό τους τις βασικές οδηγίες για το σωστό χειρισμό του κονταροψάλιδου μπορντούρας.
- Φυλάξτε αυτό το εγχειρίδιο σε ένα ασφαλές μέρος στο οποίο υπάρχει εύκολη πρόσβαση για γρήγορη αναφορά.
- Μην επιτρέψετε σε άτομα κάτω των 18 ετών να χρησιμοποιήσουν το κονταροψάλιδο μπορντούρας. Τα άτομα άνω των 16 ετών, ωστόσο, μπορούν να χρησιμοποιήσουν το κονταροψάλιδο μπορντούρας για εκπαιδευτικούς σκοπούς, αν βρίσκονται υπό τη συνεχή επίβλεψη ενός ενήλικα που είναι εξοικειωμένος με τη λειτουργία του κονταροψάλιδου μπορντούρας.
- Πάντοτε να χρησιμοποιείτε το κονταροψάλιδο μπορντούρας με τη μεγαλύτερη δυνατή φροντίδα και προσοχή.
- Ποτέ μην επιχειρήσετε να τροποποιήσετε τη συσκευή.
- Ακολουθήστε τους σχετικούς κανονισμούς για το χειρισμό κονταροψάλιδων μπορντούρας στη χώρα σας.
- Σοβαρός τραυματισμός μπορεί να προκύψει εάν το κονταροψάλιδο μπορντούρας χρησιμοποιηθεί στις ακόλουθες καταστάσεις. Να μην χρησιμοποιήσετε το κονταροψάλιδο μπορντούρας:
  - Όταν αισθάνεστε κουρασμένος ή άρρωστος.
  - Μετά την κατανάλωση αλκοόλ ή/και φαρμάκων.
  - Τη νύχτα ή σε συνθήκες χαμηλού φωτισμού.
  - Κατά τη διάρκεια εγκυμοσύνης.

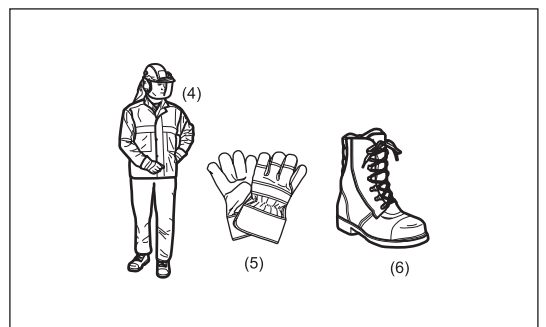
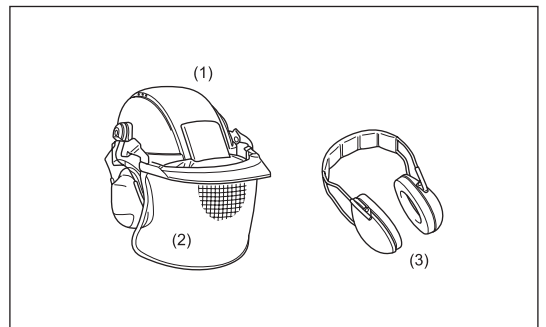


## Προβλεπόμενη χρήση

- Αυτό το κονταροψάλιδο μπορντούρας έχει σχεδιαστεί για τον αποκλειστικό σκοπό του κλαδέματος άκρων φυτών και θάμνων. Μην χρησιμοποιείτε το κονταροψάλιδο μπορντούρας για οποιοσδήποτε άλλους σκοπούς.

## Προσωπικός προστατευτικός εξοπλισμός

- Τα ρούχα που φοράτε πρέπει να είναι λειτουργικά και σφιχτά πάνω σας, χωρίς να περιορίζουν την κίνηση. Μην φοράτε ρούχα ή κοσμήματα που θα μπορούσαν να μπλεχτούν στους θάμνους ή στο μηχανήμα.
- Για την επαρκή προστασία από τραυματισμούς στο κεφάλι, τα μάτια, τα πόδια, τα χέρια, καθώς και προβλήματα ακοής, πρέπει να χρησιμοποιείται ο ακόλουθος προστατευτικός εξοπλισμός και ρουχισμός κατά την εργασία με το κονταροψάλιδο μπορντούρας.
- Για την αποφυγή τραυματισμού στο κεφάλι ή τα μάτια, να φοράτε πάντα προστατευτικό κράνος (1) με γυαλιά ή προσωπίδα (2).
- Για να αποφεύγετε προβλήματα ακοής, πάντοτε να φοράτε κατάλληλες ωτοασπίδες (3).
- Συνιστάται ανεπιφύλακτα η χρήση εφαρμοστών φορμών εργασίας (4).
- Να φοράτε πάντα τραχιά, δερμάτινα γάντια εργασίας (5) κατά τη λειτουργία του κονταροψάλιδου μπορντούρας.
- Κατά την χρήση του κονταροψάλιδου μπορντούρας, πάντοτε να φοράτε ανθεκτικά παπούτσια (6) με αντιολισθητικές σόλες. Τα ειδικά παπούτσια εργασίας εξασφαλίζουν το καλό πάτημα και την προστασία από τραυματισμό.
- Όταν αγγίζετε τις λάμες ή τη μονάδα της λάμας να φοράτε προστατευτικά γάντια. Οι λάμες μπορούν να κόψουν τα γυμνά χέρια.



## Ασφάλεια στο χώρο εργασίας

- ⚠ **ΚΙΝΔΥΝΟΣ:** Κρατήστε το κονταροψάλιδο μπορντούρας μακριά από ηλεκτρικά και τηλεπικοινωνιακά καλώδια. Το άγγιγμα ή το πλησίασμα των γραμμών υψηλής τάσης με το κονταροψάλιδο μπορντούρας μπορεί να οδηγήσει σε θάνατο ή σοβαρό τραυματισμό. Δείτε τις γραμμές ηλεκτρικού ρεύματος και τους ηλεκτρικούς φράκτες γύρω από την περιοχή εργασίας πριν από την έναρξη της λειτουργίας.
- Ξεκινήστε και θέστε τον κινητήρα σε λειτουργία μόνο σε εξωτερικούς χώρους σε μια καλά αεριζόμενη περιοχή. Η λειτουργία σε κλειστό ή ανεπαρκώς αεριζόμενο χώρο μπορεί να οδηγήσει σε θάνατο λόγω της δηλητηρίασης από μονοξείδιο του άνθρακα ή ασφυξίας.
- Κατά τη λειτουργία, κρατήστε τους παρισταμένους, ιδιαίτερα τα παιδιά ή τα ζώα, τουλάχιστον 15 μέτρα μακριά από το κονταροψάλιδο μπορντούρας. Σταματήστε τον κινητήρα μόλις πλησιάζει κάποιος.
- Πριν από τη λειτουργία, εξετάστε την περιοχή εργασίας για ύπαρξη συρματοπλεγμάτων, βράχων ή άλλων στερεών αντικειμένων. Αυτά μπορούν να καταστρέψουν τις λάμες.
- ⚠ **ΠΡΟΕΙΔΟΠΟΙΗΣΗ:** Η χρήση αυτού του προϊόντος μπορεί να παράγει σκόνη που περιέχει χημικές ουσίες που μπορούν να προκαλέσουν αναπνευστικά προβλήματα ή άλλες ασθένειες. Μερικά παραδείγματα αυτών των χημικών ουσιών είναι οι ενώσεις που βρίσκονται στα εντομοκτόνα φυτοφάρμακα, λιπάσματα και ζιζανιοκτόνα. Ο κίνδυνος από την έκθεσή σας στα παραπάνω ποικίλλει ανάλογα με τη συχνότητα με την οποία εκτελείτε αυτού του είδους τις εργασίες. Για να μειώσετε την έκθεσή σας σε αυτές τις χημικές ουσίες: να εργάζεστε σε χώρο με καλό αερισμό και με εγκριμένο εξοπλισμό ασφάλειας, όπως προσωπίδες κατά της σκόνης που είναι ειδικά σχεδιασμένες να φιλτράρουν μικροσκοπικά σωματίδια.



## Ξεκινώντας το κονταροψάλιδο μπορντούρας

- Πριν από τη συναρμολόγηση ή την προσαρμογή του εξοπλισμού, να σβήνετε τον κινητήρα και να αφαιρείτε την πίπα του μπουζί.
- Πριν από το ξεκίνημα του κονταροψάλιδου μπορντούρας, πάντα να βεβαιώνετε ότι το μηχάνημα βρίσκεται σε ασφαλή κατάσταση λειτουργίας.
- Ποτέ μην προσπαθήσετε να ξεκινήσετε τον κινητήρα, αν ο εξοπλισμός έχει υποστεί ζημιά.
- Ελέγξτε τη λειτουργία του μηχανισμού ασφαλείας του μοχλού του γκαζιού. Ο μοχλός κλειδώματος θα πρέπει να λειτουργεί εύκολα και ομαλά. Βεβαιωθείτε ότι ο μοχλός κλειδώματος λειτουργεί σωστά. Βεβαιωθείτε ότι οι λαβές είναι καθαρές και στεγνές και ελέγξτε το διακόπτη ΔΙΑΚΟΠΗΣ για να διασφαλίσετε ότι λειτουργεί σωστά.

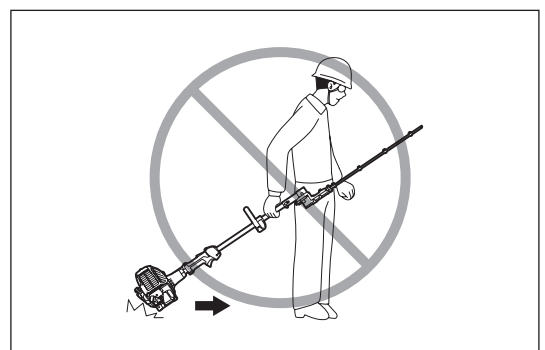
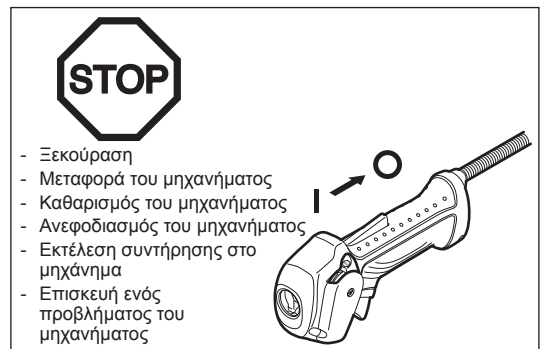
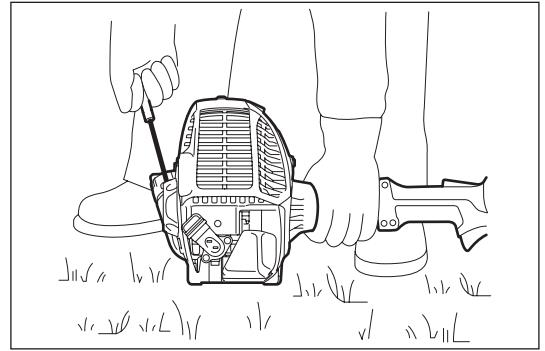
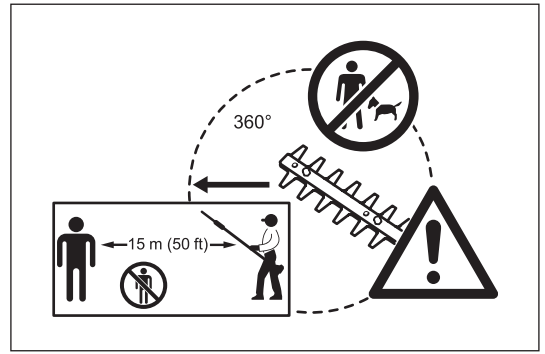
Πάντα ξεκινάτε το κονταροψάλιδο μπορντούρας σύμφωνα με τις οδηγίες που παρέχονται σε αυτό το εγχειρίδιο οδηγιών.

## Ακολουθήστε τις παρακάτω οδηγίες για να ξεκινήσετε το κονταροψάλιδο μπορντούρας

- Ξεκινήστε το κονταροψάλιδο μπορντούρας μόνο μετά την πλήρη συναρμολόγηση του μηχανήματος και την τοποθέτηση όλων των εξαρτημάτων.
- Κατά την εκκίνηση του κινητήρα, διατηρήστε τις λάμες μακριά από το σώμα σας και από άλλα αντικείμενα, συμπεριλαμβανομένου του εδάφους. Οι λάμες μπορεί να κινηθούν κατά την εκκίνηση και μπορεί να προκαλέσουν σοβαρό τραυματισμό ή βλάβη στις ίδιες τις λάμες και/ή στην ιδιοκτησία.
- Πριν το ξεκίνημα του μηχανήματος, βεβαιωθείτε ότι οι λάμες κοπής δεν εμποδίζονται από οποιαδήποτε ξένα αντικείμενα όπως κλαδιά, πέτρες κτλ.
- Σταματήστε τον κινητήρα αμέσως εάν εμφανιστούν προβλήματα στον κινητήρα.
- Όταν τραβάτε το κουμπί μίζας, κρατήστε τη συσκευή σταθερά πάνω στο έδαφος με το αριστερό σας χέρι. Ποτέ μην πατάτε πάνω στο κινητήριο άξονα.
- Αν οι λάμες κινούνται στο ρελαντί, σταματήστε τον κινητήρα και ρυθμίστε προς τα κάτω την ταχύτητα του ρελαντί.
- Κατά τη λειτουργία του κονταροψάλιδου μπορντούρας, πάντοτε να διατηρείτε ένα σταθερό κράτημα και τις δύο λαβές. Κυκλώστε τα δάχτυλα σας σφιχτά γύρω από κάθε λαβή, διατηρώντας τη λαβή μεταξύ του αντίχειρα και του δείκτη. Για να διατηρήσετε πάντοτε υπό έλεγχο το κονταροψάλιδο μπορντούρας, αποφεύγετε την αλλαγή που πιεσίματος κατά τη διάρκεια της λειτουργίας. Φροντίστε ώστε οι λαβές χειρισμού να βρίσκονται σε καλή κατάσταση χωρίς να έχουν υγρασία, λάσπη, λάδι ή γράσο.

## Πάντοτε να έχετε ένα σταθερό και ισορροπημένο πάτημα

- Πάντα να σταματάτε αμέσως τον κινητήρα και να διακόπτετε τη λειτουργία, αν εμφανίσει πρόβλημα ο κινητήρας ή αν το μηχάνημα αρχίζει να εκπέμπει ασυνήθιστο θόρυβο.
- Οι καπνοί της εξάτμισης είναι δηλητηριώδεις. Ποτέ μην χρησιμοποιείτε το μηχάνημα σε κλειστό χώρο ή σε σήραγγα χωρίς εξαερισμό (κίνδυνος ασφυξίας και δηλητηρίασης από αέριο). Σημειώστε ότι το μονοξείδιο του άνθρακα είναι ένα άοσμο αέριο. Πάντα να βεβαιώνετε ότι οι περιοχές στις οποίες λειτουργεί ο κινητήρας αερίζονται επαρκώς.
- Σταματήστε τον κινητήρα κατά την ανάπαυση ή όταν μένει αφύλακτο το κονταροψάλιδο μπορντούρας. Τοποθετήστε το μηχάνημα σε ασφαλή θέση και βεβαιωθείτε ότι δεν υπάρχουν τριγύρω εύφλεκτα υλικά.
- Ποτέ μην τοποθετείτε ένα ζεστό κονταροψάλιδο μπορντούρας με κοντάρι σε ξερά χόρτα ή εύφλεκτα υλικά.
- Για να ελαχιστοποιήσετε τον κίνδυνο πυρκαγιάς, διατηρείτε τον κινητήρα και το σιγαστήρα καθαρούς από σωματίδια, φύλλα ή υπερβολική ποσότητα λιπαντικού.
- Ποτέ να μην θέσετε σε λειτουργία τον κινητήρα εάν είναι ελαττωματικός ο σιγαστήρας.
- Απενεργοποιήστε τον κινητήρα πριν από τη μεταφορά.
- Σβήνετε πάντοτε τον κινητήρα στις παρακάτω περιπτώσεις:
  - Ξεκούραση
  - Μεταφορά του μηχανήματος
  - Καθαρισμός του μηχανήματος
  - Ανεφοδιασμός του μηχανήματος
  - Εκτέλεση συντήρησης στο μηχάνημα
  - Επισκευή ενός προβλήματος του μηχανήματος
- Κατά τη μεταφορά της συσκευής, να τη μεταφέρετε σε οριζόντια θέση, κρατώντας τον άξονα. Κρατήστε το ζεστό σιγαστήρα μακριά από το σώμα σας.
- Κατά τη μεταφορά του μηχανήματος πάνω σε ένα όχημα, να τοποθετείτε πάντα με ασφάλεια το κονταροψάλιδο μπορντούρας για να αποφευχθεί η διαρροή του υπολειπόμενου καυσίμου.
- Πάντα να αδειάζετε το ρεζερβουάρ καυσίμου πριν από τη μεταφορά του κονταροψάλιδου μπορντούρας πάνω σε ένα όχημα.
- Κατά την εκφόρτωση του μηχανήματος από το όχημα, να προσέχετε ώστε να μην πέσει το κονταροψάλιδο μπορντούρας στο έδαφος, καθώς αυτό μπορεί να βλάψει σοβαρά το ρεζερβουάρ καυσίμου.
- Εκτός από την περίπτωση έκτακτης ανάγκης, ποτέ να μην ρίξετε κάτω το κονταροψάλιδο μπορντούρας, καθώς αυτό μπορεί να βλάψει σοβαρά το μηχάνημα.
- Κατά τη μεταφορά του κονταροψάλιδου μπορντούρας, πάντοτε να σηκώνετε το μηχάνημα εντελώς πάνω από το έδαφος. Ποτέ μην σέρνετε το μηχάνημα πάνω στο έδαφος, καθώς αυτό μπορεί να καταστρέψει το ρεζερβουάρ καυσίμου και, ενδεχομένως, να προκαλέσει πυρκαγιά.
- Να χρησιμοποιείτε πάντα το παρεχόμενο κάλυμμα του κόφτη κατά τη μεταφορά και την αποθήκευση για την προστασία και τη διασφάλιση του τμήματος κοπής και του κονταροψάλιδου μπορντούρας.
- Εάν η συσκευή χτυπήσει δυνατά κατά την πτώση, ελέγξτε την κατάσταση πριν συνεχίσετε την εργασία. Ελέγξτε το σύστημα καυσίμου για διαρροή καυσίμων και τα χειριστήρια και τις διατάξεις ασφαλείας για ύπαρξη δυσλειτουργίας. Εάν υπάρχει ζημιά ή έχετε αμφιβολίες, επικοινωνήστε με το εξουσιοδοτημένο μας κέντρο σέρβις για επιθεώρηση και επισκευή.

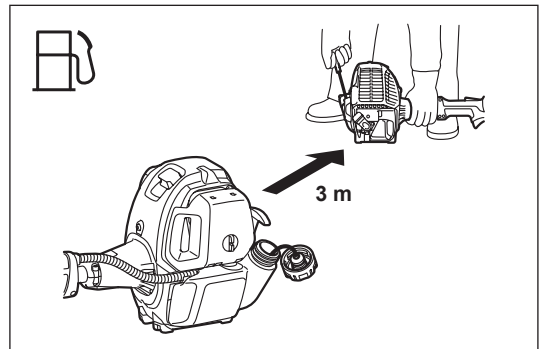
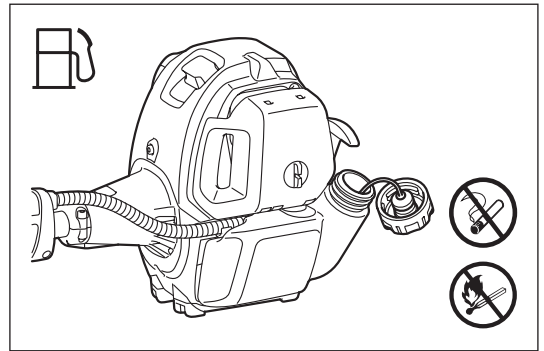


## Ανεφοδιασμός καυσίμου

- Πριν τον ανεφοδιασμό, σταματήστε τον κινητήρα.
- Ποτέ να μην ανεφοδιάζετε κοντά σε γυμνές φλόγες.
- Μην καπνίζετε κατά τον ανεφοδιασμό.
- Πάντοτε αφήνετε να περάσει επαρκής χρόνος ώστε ο κινητήρας να κρυώσει πριν τον ανεφοδιασμό.
- Προσέξτε να μην αφήσετε το δέρμα σας να έρθει σε επαφή με προϊόντα πετρελαίου. Μην εισπνέετε αναθυμιάσεις βενζίνης και πάντα να φοράτε προστατευτικά γάντια κατά τον ανεφοδιασμό.
- Να αλλάζετε και να καθαρίζετε τον προστατευτικό εξοπλισμό σε τακτά χρονικά διαστήματα.
- Δώστε επιπλέον φροντίδα ώστε να μην χυθεί βενζίνη και πετρέλαιο, για να αποφευχθεί η ρύπανση του εδάφους (προστασία του περιβάλλοντος). Αν έχει χυθεί βενζίνη ή πετρέλαιο πάνω στο κονταροψάλιδο μπορντούρας, σκουπίστε αμέσως την επιφάνεια του κονταροψάλιδου μπορντούρας με ένα πανί.
- Για να αποφευχθεί η αυτανάφλεξη, αφήστε τα υγρά πανιά να στεγνώσουν αρκετά πριν από την απόρριψή τους σε ένα κατάλληλο, καλυμμένο δοχείο.
- Βεβαιωθείτε ότι καμιά ποσότητα καυσίμου δεν έρχεται σε επαφή με τα ρούχα σας. Αλλάξτε αμέσως το ρουχισμό σας εάν πέσει πάνω σε αυτόν καύσιμο (κίνδυνος φωτιάς).
- Κλείστε το ρεζερβουάρ καυσίμου και σφίξτε καλά την τάπα του ρεζερβουάρ καυσίμου. Για την επανεκκίνηση του κινητήρα, μεταφέρετε το κονταροψάλιδο μπορντούρας σε μια θέση τουλάχιστον 3 μέτρα μακριά από τον τόπο ανεφοδιασμού.
- Ελέγξτε την τάπα του ρεζερβουάρ καυσίμου σε τακτά χρονικά διαστήματα για να βεβαιωθείτε ότι το καπάκι είναι καλά στερεωμένο.
- Ποτέ να μην ανεφοδιάζετε το μηχάνημα σε ένα κλειστό δωμάτιο. Οι αναθυμιάσεις του καυσίμου συσσωρεύονται στο επίπεδο του εδάφους (κίνδυνος έκρηξης).
- Αποθηκεύστε το καύσιμο μόνο μέσα σε κατάλληλα δοχεία και βεβαιωθείτε ότι τα αποθηκευμένα καύσιμα βρίσκονται μακριά από την πρόσβαση των παιδιών.

## Λειτουργία

- Σε περίπτωση έκτακτης ανάγκης, σβήστε τον κινητήρα αμέσως.
- Αν αισθανθείτε οποιαδήποτε ασυνήθιστη κατάσταση (π.χ. θόρυβος, δονήσεις) κατά τη λειτουργία, σβήστε τον κινητήρα. Μην χρησιμοποιείτε το κονταροψάλιδο μπορντούρας μέχρι να αναγνωριστεί και να επιλυθεί το πρόβλημα.
- Οι λάμες συνεχίζουν να κινούνται για ένα μικρό χρονικό διάστημα μετά την αποδέσμευση της σκανδάλης του γκαζιού ή το σβήσιμο του κινητήρα. Μη βιαστείτε να πιάσετε τις λάμες.
- Ποτέ μην επιχειρήσετε να λειτουργήσετε τη συσκευή με το ένα χέρι. Η απώλεια ελέγχου μπορεί να οδηγήσει σε σοβαρό ή θανατηφόρο τραυματισμό. Για να μειώσετε τον κίνδυνο τραυματισμού από κόψιμο, κρατήστε τα χέρια και τα πόδια σας μακριά από τις λάμες.
- Κρατήστε το δεξί σας χέρι κάτω από το ύψος του ώμου κατά τη διάρκεια της λειτουργίας. Διαφορετικά μπορεί να χάσετε τον έλεγχο και να προκληθεί τραυματισμός.
- Κατά τη λειτουργία, μην χτυπήσετε ποτέ τις λάμες πάνω σε σκληρά εμπόδια, όπως πέτρες και μέταλλα. Δώστε ιδιαίτερη προσοχή κατά την κοπή άκρων φυτών δίπλα ή έναντι συμμάτινων φρακτών. Όταν εργάζεστε κοντά στο έδαφος, βεβαιωθείτε ότι δεν εισέρχονται μεταξύ των λαμών άμμος, χαλίκι ή πέτρες.
- Εάν οι λάμες έρθουν σε επαφή με πέτρες ή άλλα στερεά αντικείμενα, σταματήστε τον κινητήρα αμέσως και ελέγξτε τις λάμες για ύπαρξη ζημιάς αφότου αφαιρέσετε την πίπα του μπουζί. Αντικαταστήστε τις λάμες εάν έχουν πάθει ζημιά.
- Ποτέ μην αγγίζετε ή προσεγγίσετε τις λάμες όταν κινούνται. Οι λάμες μπορούν εύκολα να κόψουν το δάκτυλό σας. Κατά τον χειρισμό ή το πλήθιασμα της λάμας, να σβήνετε τον κινητήρα και να αφαιρέτε την πίπα του μπουζί.
- Αν μπλοκαριστούν χοντρά κλαδιά μέσα στις λάμες, σβήστε αμέσως τον κινητήρα, αφήστε κάτω το κονταροψάλιδο μπορντούρας και στη συνέχεια αφαιρέστε το εμπόδιο αφότου αφαιρέσετε την πίπα του μπουζί. Ελέγξτε τις λάμες για ύπαρξη ζημιάς πριν από την επανάληψη της χρήσης της συσκευής.
- Η επιτάχυνση του κινητήρα με μπλοκαρισμένες τις λάμες αυξάνει το φορτίο και θα βλάψει τον κινητήρα και/ή τον συμπλέκτη.
- Ελέγχετε τις κοπτικές λάμες συχνά κατά τη διάρκεια της λειτουργίας για ύπαρξη ρωγμών ή αμβλύων άκρων. Πριν από την επιθεώρηση, σβήστε τον κινητήρα και περιμένετε μέχρι να σταματήσουν οι λάμες εντελώς. Αντικαταστήστε τις κατεστραμμένες ή τις αμβλείες λάμες αμέσως, ακόμη και αν έχουν μόνο επιφανειακές ρωγμές.
- Μην ακουμπάτε το κιβώτιο ταχυτήτων. Το κιβώτιο ταχυτήτων ζεσταίνεται κατά τη λειτουργία.
- Ξεκουραστείτε για να μην χάσετε τον έλεγχο λόγω κούρασης. Σας συνιστούμε να κάνετε 10 έως 20 λεπτά διάλειμμα κάθε ώρα.
- Πριν την κοπή, τραβήξτε πλήρως την μοχλό του γκαζιού για να επιτευχθεί η μέγιστη ταχύτητα.
- Κατά τη λειτουργία να κρατάτε το κονταροψάλιδο μπορντούρας με τα δυο χέρια.
- Χρησιμοποιείτε το κονταροψάλιδο μπορντούρας μόνο σε συνθήκες καλού φωτισμού και ορατότητας. Δώστε προσοχή στις ολισθηρές και υγρές περιοχές (πάγος και χιόνι) κατά τη χειμερινή περίοδο (κίνδυνος ολίσθησης) και πάντα να διασφαλίζετε ένα σταθερό πάτημα.
- Ποτέ μην χρησιμοποιείτε το κονταροψάλιδο μπορντούρας, ενώ στέκεται πάνω σε ασταθείς επιφάνειες ή σε απότομη πλαγιά.
- Ποτέ να μην χρησιμοποιήσετε το κονταροψάλιδο μπορντούρας όταν στέκεστε πάνω σε μια σκάλα.
- Ποτέ μην ανεβαίνετε σε ένα δέντρο για να χρησιμοποιήσετε το κονταροψάλιδο μπορντούρας πάνω στο δέντρο.
- Για να αποφύγετε ή να σκοντάψετε πάνω σε αντικείμενα ποτέ να μην περπατάτε προς τα πίσω κατά την εργασία με το κονταροψάλιδο μπορντούρας.
- Σβήνετε πάντοτε τον κινητήρα πριν από τον καθαρισμό ή τη συντήρηση του μηχανήματος. Επίσης, να απέχετε από την αντικατάσταση εξαρτημάτων πριν το σταμάτημα του κινητήρα.
- Μην λειτουργείτε το κονταροψάλιδο μπορντούρας, εάν η μονάδα κοπής έχει φθαρεί ή υποστεί ζημιά.



## Δόνηση

- Τα άτομα με κακό κυκλοφορικό σύστημα τα οποία εκτίθενται σε υπερβολικούς κραδασμούς μπορεί να παρουσιάσουν βλάβη στα αιμοφόρα αγγεία ή στο νευρικό σύστημα. Οι κραδασμοί ενδέχεται να προκαλέσουν τα ακόλουθα συμπτώματα στα δάχτυλα, τα χέρια ή τους καρπούς: "Κοίμηση" (μούδιασμα), μυρμηγκίασμα, πόνος, σουβλιές, αλλαγή χρώματος του δέρματος. Εάν έχετε οποιαδήποτε από αυτά τα συμπτώματα, δείτε ένα γιατρό!
- Για να περιορίσετε τον κίνδυνο της "ασθένειας των άσπρων δακτύλων", διατηρείτε τα χέρια σας ζεστά κατά τη λειτουργία και διατηρείτε σε καλή κατάσταση τον εξοπλισμό και τα προσαρτήματα.

## Οδηγίες συντήρησης

- Επισκευάζετε τη συσκευή σας στο δικό μας εξουσιοδοτημένο κέντρο σέρβις, χρησιμοποιώντας πάντοτε αυθεντικά ανταλλακτικά. Η λανθασμένη επισκευή και η φτωχή συντήρηση μπορεί να μειώσει την διάρκεια της ωφέλιμης ζωής της συσκευής και να αυξήσει τον κίνδυνο ατυχημάτων.
- Πάντα να καταβάλετε την κάθε δυνατή προσπάθεια για να κρατηθούν η ρύπανση και οι εκπομπές θορύβου όσο το δυνατόν χαμηλότερα κατά τη λειτουργία του κονταροψάλιδου μπορντούρας. Δώστε ιδιαίτερη προσοχή στην σωστή ρύθμιση του καρμπυρατέρ.
- Καθαρίστε το κονταροψάλιδο μπορντούρας σε τακτά χρονικά διαστήματα και ελέγχετε περιοδικά αν όλες οι βίδες και τα παξιμάδια είναι καλά σφιγμένα.
- Ποτέ να μην εκτελείτε το σέρβις ή μην αποθηκεύσετε το κονταροψάλιδο μπορντούρας κοντά σε γυμνές φλόγες, σπινθήρες κτλ.
- Ποτέ μην επισκευάσετε λυγισμένες ή σπασμένες λάμες ισιώνοντας ή συγκολλώντας τις. Η ενέργεια αυτή μπορεί να προκαλέσει την εκτόξευση των λαμών επιφέροντας σοβαρό τραυματισμό. Για να τις αντικαταστήσετε, επικοινωνήστε με ένα εξουσιοδοτημένο κέντρο εξυπηρέτησης της DOLMAR για να προμηθευτείτε τις γνήσιες λάμες της DOLMAR.
- Για να αποτραπεί η περαιτέρω ζημία ή/και τραυματισμός, μην επιδιορθώσετε ένα κονταροψάλιδο μπορντούρας που δυσλειτουργεί, αν δεν διαθέτετε τα προσόντα για να το κάνετε. Για επισκευές να απευθύνεστε πάντα τον αντιπρόσωπό σας ή σε ένα εξουσιοδοτημένο αντιπρόσωπο σέρβις.

Μην επιχειρήσετε να τροποποιήσετε ή να αναδιατάξετε το κονταροψάλιδο μπορντούρας, καθώς αυτό μπορεί να επηρεάσει την ασφάλεια λειτουργίας.

Οι εργασίες συντήρησης που μπορούν να εκτελεστούν από τον χρήστη περιορίζονται στις δραστηριότητες που περιγράφονται σε αυτό το εγχειρίδιο οδηγιών. Όλες οι άλλες διαδικασίες πρέπει να εκτελούνται από εξουσιοδοτημένο αντιπρόσωπο σέρβις.

Ζητήστε από ένα εξουσιοδοτημένο κέντρο σέρβις της DOLMAR την τακτική επιθεώρηση και συντήρηση του κονταροψάλιδου μπορντούρας.

Χρησιμοποιείτε μόνο αυθεντικά ανταλλακτικά και αξεσουάρ που παρέχονται από την DOLMAR ή από εξουσιοδοτημένα κέντρα σέρβις.

Η χρήση μη εγκεκριμένων εξαρτημάτων και εργαλείων, μπορεί να αυξήσει τον κίνδυνο ατυχήματος και τραυματισμού. Η DOLMAR δεν αποδέχεται καμία ευθύνη για ατυχήματα ή ζημιές που προκύπτουν από τη χρήση μη εγκεκριμένων αξεσουάρ και ανταλλακτικών.

## Αποθήκευση

- Πριν την αποθήκευση της συσκευής, εκτελέστε ένα πλήρη καθαρισμό και συντήρηση. Τοποθετήστε το κάλυμμα των λαμών.
- Αδειάστε το ρεζερβουάρ καυσίμου πριν από την αποθήκευση, και πάντα να αποθηκεύετε το κονταροψάλιδο μπορντούρας σε ένα κλειδωμένο και καλά αεριζόμενο δωμάτιο. Πάντοτε να βεβαιώνετε ότι το κονταροψάλιδο μπορντούρας βρίσκεται μακριά από την πρόσβαση των παιδιών.
- Μην στηρίζετε τη συσκευή πάνω σε άλλα αντικείμενα, όπως ένας τοίχος. Σε αντίθετη περίπτωση ενδέχεται το κονταροψάλιδο μπορντούρας να πέσει κάτω ξαφνικά και να προκαλέσει τραυματισμό.

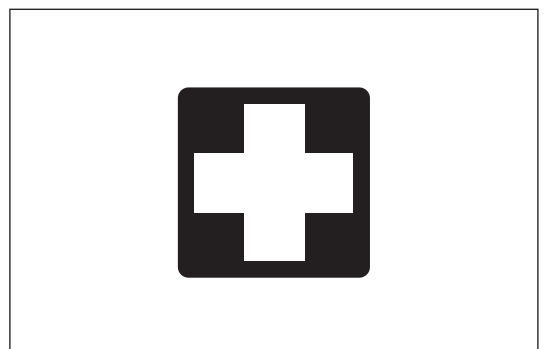
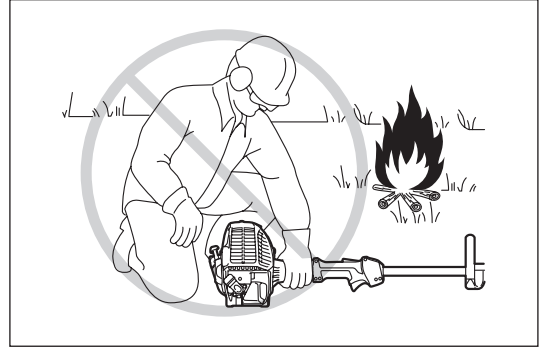
## Πρώτες βοήθειες

Ως προληπτικό μέτρο έναντι της πρόκλησης ατυχήματος, βεβαιωθείτε ότι ένα πλήρως εξοπλισμένο κιτ πρώτων βοηθειών βρίσκεται κοντά σας.

Αντικαταστήστε τα στοιχεία που λαμβάνονται από το κουτί πρώτων βοηθειών, το συντομότερο δυνατό.

## Όταν ζητάτε βοήθεια σε περίπτωση έκτακτης ανάγκης, δώστε τις ακόλουθες πληροφορίες:

- Τόπος του ατυχήματος
- Τι συνέβη
- Αριθμός τραυματιών
- Σοβαρότητα των τραυμάτων
- Το όνομά σας



**Για τις ευρωπαϊκές χώρες μόνο**  
**ΕΚ – Δήλωση συμμόρφωσης**

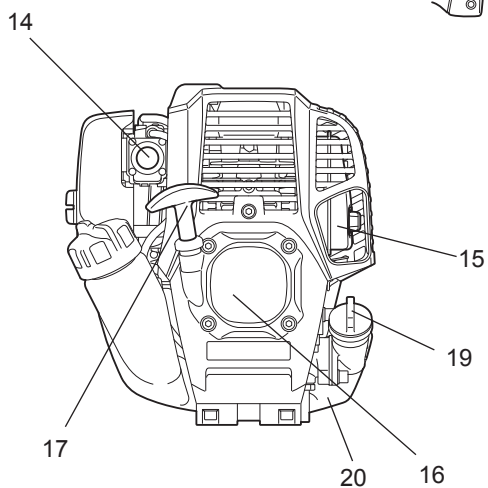
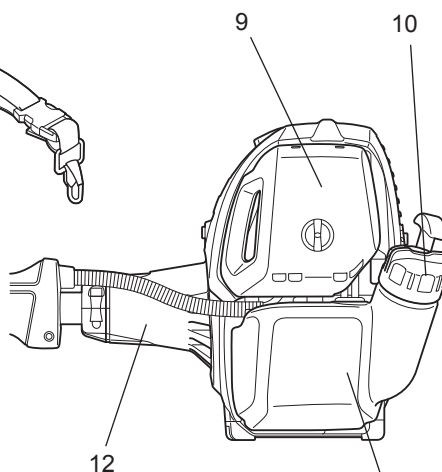
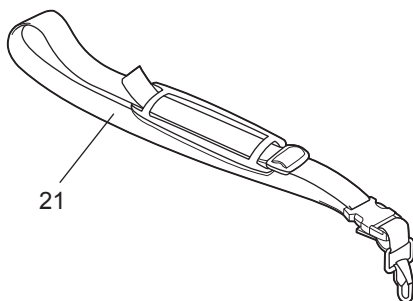
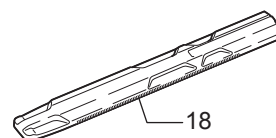
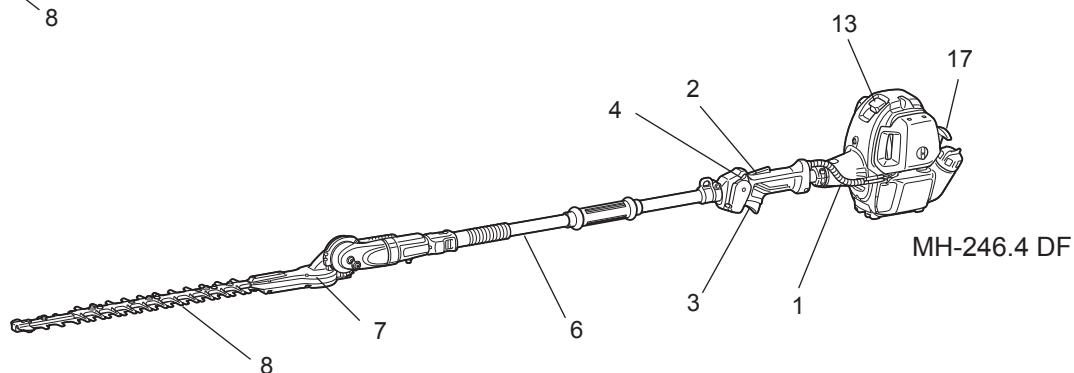
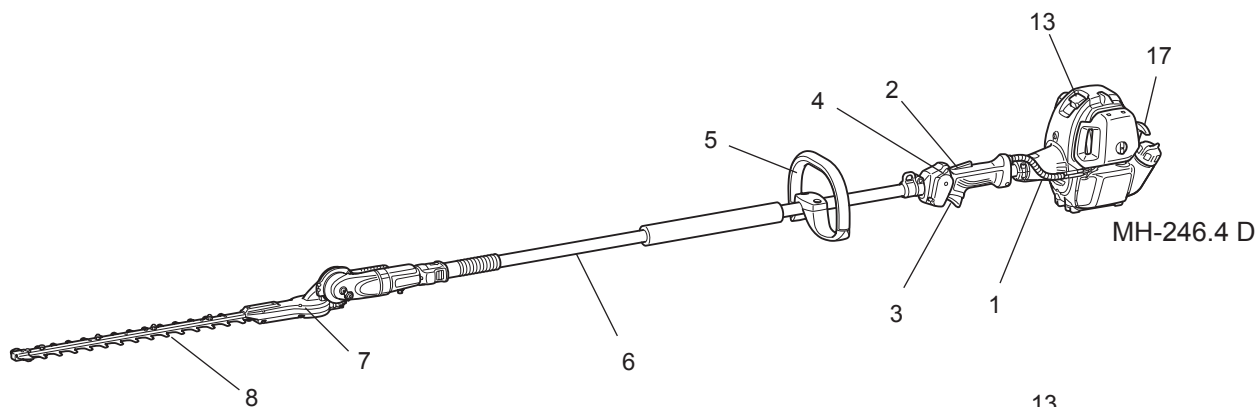
Η δήλωση συμμόρφωσης ΕΚ περιλαμβάνεται ως παράρτημα Α σε αυτό το εγχειρίδιο οδηγιών.

## ΤΕΧΝΙΚΑ ΔΕΔΟΜΕΝΑ

Μοντέλο	MH-246.4 D		MH-246.4 DF	
	Λαβή σε σχήμα βρόγχου		Ευθεία λαβή	
Διαστάσεις (Μ x Π x Υ)	2.550 mm x 242 mm x 241 mm		2.050 mm x 221 mm x 241 mm	
Καθαρό βάρος	6,9 kg		6,6 kg	
Όγκος (ρεζερβουάρ καυσίμου)	0,6 L			
Μήκος κοπής	490 mm			
Μέγιστη διάμετρος κλαδιού	7 mm			
Διαδρομές κοπής	4.200 min <sup>-1</sup>			
Τύπος κινητήρα	Αερόψυκτος, 4-χρονος, μονοκύλινδρος			
Εκτόπισμα κινητήρα	25,4 cm <sup>3</sup>			
Μέγιστη απόδοση κινητήρα	0,77 kW στις 7.000 min <sup>-1</sup>			
Ταχύτητα κινητήρα στη συνιστώμενη μέγιστη ταχύτητα του άξονα	10.000 min <sup>-1</sup>			
Κατανάλωση καυσίμου	0,33 kg/h			
Ειδική κατανάλωση καυσίμου	408 g/kWh			
Ταχύτητα ρελαντί	3.000 min <sup>-1</sup>			
Ταχύτητα εμπλοκής συμπλέκτη	4.400 min <sup>-1</sup>			
Καρμπιρατέρ (Διάφραγμα καρμπιρατέρ)	Τύπου διαφράγματος			
Μπουζί	τύπος	NGK CMR4A		
Διάκενο ηλεκτροδίων	0,7 - 0,8 mm			
		Δόνηση σύμφωνα με το ISO 10517	Δόνηση σύμφωνα με το ISO 10517	
Δεξιό χερούλι (πίσω λαβή)	a <sub>hveq</sub>	8,5 m/s <sup>2</sup>	7,0 m/s <sup>2</sup>	
	Αβεβαιότητα K	1,3 m/s <sup>2</sup>	3,1 m/s <sup>2</sup>	
Αριστερό χερούλι (μπροστινή λαβή)	a <sub>hveq</sub>	6,4 m/s <sup>2</sup>	5,1 m/s <sup>2</sup>	
	Αβεβαιότητα K	2,6 m/s <sup>2</sup>	1,5 m/s <sup>2</sup>	
		Θόρυβος σύμφωνα με το ISO 10517	Θόρυβος σύμφωνα με το ISO 10517	
Επίπεδο ηχητικής πίεσης	90 dB (A)		90,2 dB (A)	
Αβεβαιότητα K	1,8 dB (A)		1,0 dB (A)	
Επίπεδο ηχητικής ισχύος	103,0 dB (A)		104,1 dB (A)	
Αβεβαιότητα K	1,0 dB (A)		0,4 dB (A)	
Καύσιμο	Βενζίνη αυτοκινήτου (βενζίνη)			
Λάδι κινητήρα	Λάδι κατηγορίας API κλάσης SF ή υψηλότερης ή λάδι 10W-30 του SAE (λάδι 4-χρονου κινητήρα)			
Σχέση μετάδοσης	1/4,78			



## ΚΑΘΟΡΙΣΜΟΣ ΕΞΑΡΤΗΜΑΤΩΝ



	Καθορισμός εξαρτημάτων
1	Καλώδιο γκαζιού
2	Μοχλός κλειδώματος
3	Μοχλός γκαζιού
4	Διακόπτης διακοπής
5	Λαβή
6	Άξονας
7	Κιβώτιο ταχυτήτων
8	Λάμα κόφτη
9	Φίλτρο αέρα
10	Τάπα ρεζερβουάρ καυσίμου
11	Ρεζερβουάρ καυσίμου
12	Θήκη συμπλέκτη
13	Πίπα μπουζί
14	Αντλία προέγχυσης
15	Σιγαστήρας
16	Εκκινητήρας ανατύλιξης
17	Κουμπί μίζας
18	Κάλυμμα λαμών
19	Τάπα λαδιού
20	Ρεζερβουάρ λαδιού
21	Ιμάντας ώμου (Προαιρετικό εξάρτημα)

## ΣΥΓΚΡΟΤΗΜΑ

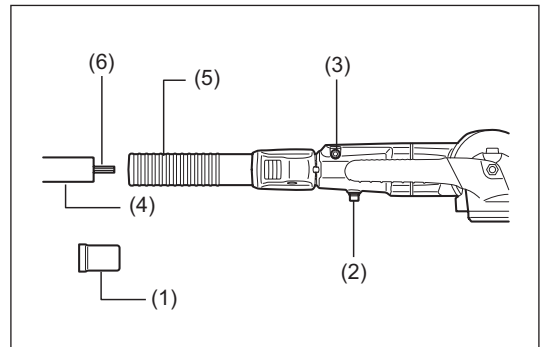
### ⚠ ΠΡΟΕΙΔΟΠΟΙΗΣΗ:

- Βεβαιωθείτε ότι ο κινητήρας είναι απενεργοποιημένος και αφαιρέστε την πτάπα του μπουζί πριν από τη συναρμολόγηση του κονταροψάλιδου μπουρντούρας.
- Να φοράτε προστατευτικά γάντια!
- Ασφαλίστε τις λεπίδες κοπής με το παρεχόμενο κάλυμμα των λεπίδων κατά τη σύνδεση της μονάδας του ψαλιδιού με το κοντάρι.

1. Αφαιρέστε το κάλυμμα (1) από τον άξονα.
2. Ξεσφίξτε το μπουλόνι M5 x 16 (2) και το μπουλόνι M5 x 25 (3).
3. Εισάγετε τον άξονα (4) στο κάλυμμα (5).

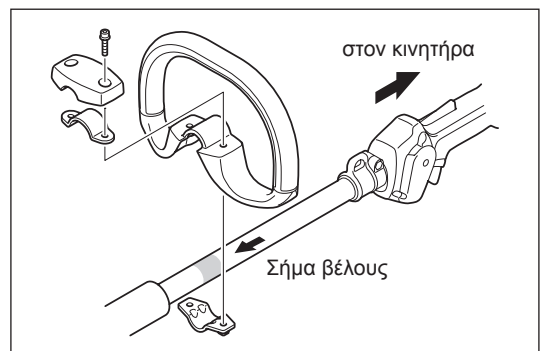
**ΣΗΜΕΙΩΣΗ:** Βεβαιωθείτε ότι ο άξονας έχει εισαχθεί τελείως μέσα στο κάλυμμα (περίπου 237 mm/9-3/8").  
Αν έχετε πρόβλημα με την εισαγωγή του άξονα, περιστρέψτε λίγο με το χέρι τον άξονα κίνησης (6) και προσπαθήστε ξανά.

4. Βεβαιωθείτε ότι ο άξονας έχει τοποθετηθεί σωστά και στη συνέχεια σφίξτε το μπουλόνι M5 x 16 και το μπουλόνι M5 x 25.



### ΤΟΠΟΘΕΤΗΣΗ ΤΗΣ ΛΑΒΗΣ (για το MH-246.4 D)

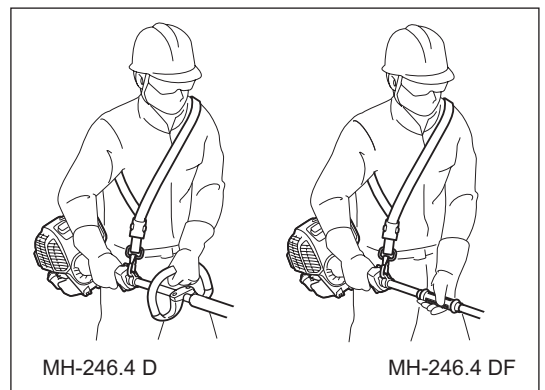
- Στερεώστε τη λαβή σχήματος βρόχου πάνω στον άξονα, όπως φαίνεται.
- Για να διατηρήσετε μια σωστή απόσταση μεταξύ των λαβών, τοποθετήστε τη λαβή σχήματος βρόγχου μπροστά από τα βέλη.



## ΙΜΑΝΤΑΣ ΩΜΟΥ (προαιρετικό εξάρτημα)

### Πώς να φοράτε τον ιμάντα ώμου

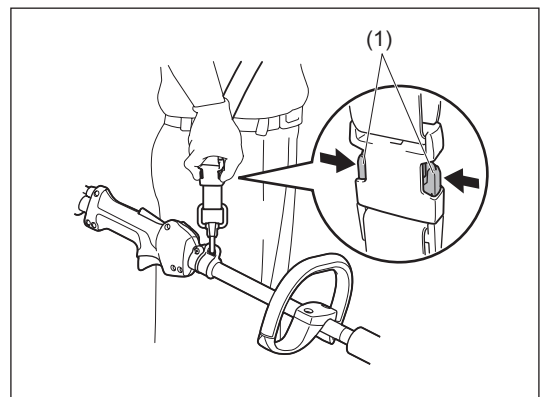
- Φοράτε τον ιμάντα ώμου πάνω από τον αριστερό ώμο.
- Κρατήστε τη συσκευή του κονταροψάλιδου μπουρντούρας στη δεξιά πλευρά του σώματος.
- Προσαρτήστε τον ιμάντα στον αναρτήρα που παρέχεται στο κονταροψάλιδο μπουρντούρας και ρυθμίστε το μήκος του ιμάντα για να επιτευχθεί μια άνετη θέση εργασίας.



### Απόσπαση

- Σε περίπτωση έκτακτης ανάγκης, σπρώξτε τις εγκοπές (1) και στις δύο πλευρές και με τον τρόπο αυτό μπορείτε να αποσυνδέσετε το μηχανήμα από εσάς. Να είστε εξαιρετικά προσεκτικοί για να διατηρήσετε τον έλεγχο του μηχανήματος σε αυτό το χρονικό διάστημα. Μην αφήνετε το μηχανήμα να εκτρέπεται προς το μέρος σας ή προς κάποιον άλλων στην περιοχή εργασίας.

**ΠΡΟΕΙΔΟΠΟΙΗΣΗ:** Η αποτυχία διατήρησης πλήρους ελέγχου του μηχανήματος θα μπορούσε να οδηγήσει σε σοβαρό τραυματισμό ή ΘΑΝΑΤΟ.



## ΠΡΙΝ ΑΠΟ ΤΗΝ ΕΝΑΡΞΗ ΤΗΣ ΛΕΙΤΟΥΡΓΙΑΣ

### Έλεγχος και αναπλήρωση του λαδιού του κινητήρα

- Εκτελέστε την παρακάτω διαδικασία, με κρύο τον κινητήρα.
- Ορίστε το επίπεδο του κινητήρα, αφαιρέστε την τάπα λαδιού (Εικ. 1) και στη συνέχεια, ελέγξτε για να δείτε το εύρος μεταξύ των σημάνσεων του ανώτατου και του κατώτατου ορίου του σωλήνα λαδιού (Εικ. 2).
- Γεμίστε το λάδι έως το ανώτατο σημάδι ορίου εάν το λάδι δεν είναι επαρκές (η στάθμη του λαδιού βρίσκεται κοντά στο κατώτατο όριο) (Εικ. 3).
- Η περιοχή που περιβάλλει τις εξωτερικές σημάνσεις είναι διαφανής, έτσι ώστε η ποσότητα του λαδιού στο εσωτερικό μπορεί να ελεγχθεί χωρίς να χρειάζεται να αφαιρέσετε την τάπα λαδιού. Όμως εάν ο σωλήνας λαδιού γίνει πάρα πολύ βρώμικος, η ορατότητα μπορεί να χαθεί και τότε η στάθμη του λαδιού θα πρέπει να ελεγχθεί έναντι του κλιμακωτού τμήματος στο εσωτερικό της σωλήνας λαδιού.
- Ως αναφορά, ο χρόνος αναπλήρωσης του λαδιού είναι περίπου 10 ώρες (κάθε δέκα ανεφοδιασμούς καυσίμου). Εάν αλλάξει το χρώμα του λαδιού ή αναμειχθεί με βρωμιά, αντικαταστήστε το με καινούργιο. (Για το διάστημα και την μέθοδο αντικατάστασης, ανατρέξτε στη Σ212)

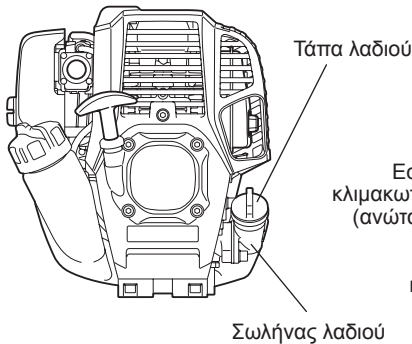
**Συνιστώμενο λάδι:** SAE 10W-30 λάδι Κατηγορίας API, Κλάση SF ή υψηλότερη (4-χρονος κινητήρας για αυτοκίνητα)

**Όγκος λαδιού:** Περίπου 0,08 L

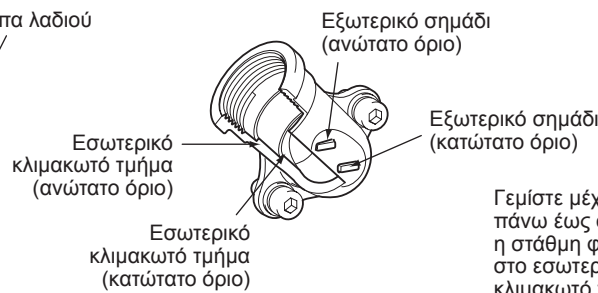
**ΣΗΜΕΙΩΣΗ:** Εάν ο κινητήρας δεν κρατηθεί όρθιος, το λάδι μπορεί να μπει γύρω από τον κινητήρα και να γεμίσει υπερβολικά. Εάν το λάδι γεμίσει πάνω από το όριο, το λάδι μπορεί να ρυπανθεί ή να πιάσει φωτιά με άσπρο καπνό.

### 1η παρατήρηση στην αντικατάσταση του λαδιού: “Τάπα λαδιού”

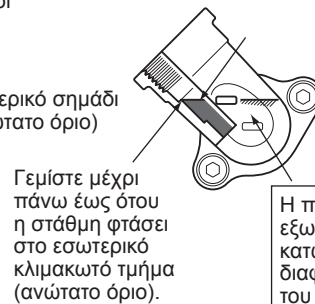
- Αφαιρέστε τη σκόνη ή την βρωμιά κοντά στην τρύπα ανεφοδιασμού του λαδιού, και αποσυνδέστε την τάπα λαδιού.
- Διατηρήστε την τάπα λαδιού που έχετε βγάλει καθαρή από άμμο και σκόνη. Διαφορετικά, η οποιαδήποτε άμμος ή σκόνη κολλήσει στην τάπα λαδιού μπορεί να προκαλέσει την μη φυσιολογική κυκλοφορία του λαδιού ή την φθορά των τμημάτων του κινητήρα, το οποίο θα προκαλέσει προβλήματα.



Εικ. 1



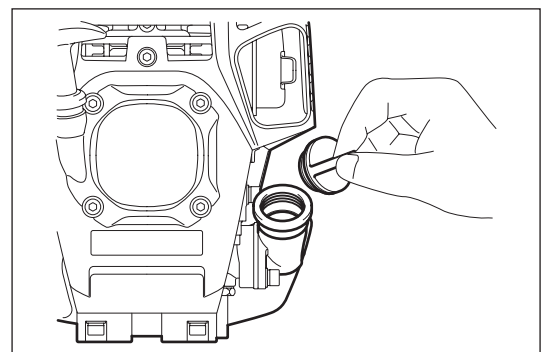
Εικ. 2 Σωλήνας λαδιού



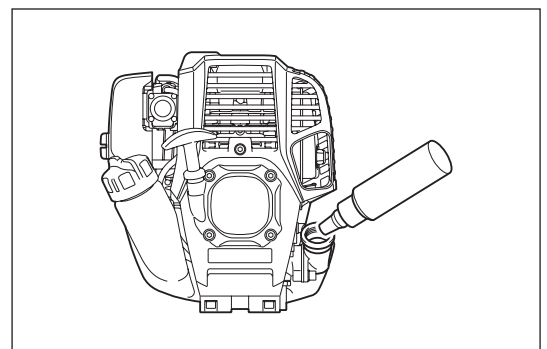
Εικ. 3

Η περιοχή μεταξύ του εξωτερικού ανώτατου και κατώτατου ορίου είναι διαφανής, έτσι η στάθμη του λαδιού μπορεί να ελεγχτεί μεταξύ αυτών των δυο σημάνσεων.

(1) Διατηρήστε επίπεδο τον κινητήρα και αποσυνδέστε την τάπα λαδιού.



(2) Γεμίστε με λάδι έως την ένδειξη του ανώτατου ορίου. (δείτε Εικ. 3)  
Χρησιμοποιήστε το μπουκάλι λαδιού κατά το γέμισμα.



(3) Σφίξτε καλά την τάπα λαδιού. Το ανεπαρκές σφίξιμο μπορεί να προκαλέσει τη διαρροή λαδιού.

### Σημείωση

- Μην αντικαταστήσετε το λάδι έχοντας τον κινητήρα υπό κλίση.
- Το γέμισμα του λαδιού με τον κινητήρα υπό κλίση προσθέτει μια ποσότητα λαδιού μεγαλύτερη από την κανονική που προκαλεί την ρύπανση του λαδιού και/ή τον άσπρο καπνό.

### 2η παρατήρηση στην αντικατάσταση του λαδιού: “Εάν το λάδι χυθεί έξω”

- Εάν το λάδι χυθεί έξω μεταξύ του ρεζερβουάρ καυσίμου και της κύριας μονάδας του κινητήρα, το λάδι απορροφάται μέσα στη θύρα εισαγωγής του ψυκτικού αέρα, και θα προκληθεί ρύπανση του κινητήρα. Φροντίστε να σκουπίσετε το λάδι που έχει χυθεί πριν την έναρξη της λειτουργίας.

## ΑΝΕΦΟΔΙΑΣΜΟΣ ΚΑΥΣΙΜΟΥ

### Χειρισμός καυσίμου

Είναι απαραίτητο να χειρίζεστε το καύσιμο με τη μεγαλύτερη δυνατή προσοχή. Το καύσιμο μπορεί να περιέχει ουσίες όμοιες με τους διαλύτες. Ο ανεφοδιασμός πρέπει να γίνεται σε ένα επαρκώς αεριζόμενο δωμάτιο ή σε ένα ανοικτό χώρο. Ποτέ να μην εισπνέετε τους ατμούς του καυσίμου και κρατήστε μακριά σας το καύσιμο. Εάν αγγίξετε το καύσιμο επαναλαμβανόμενα για μακρό χρονικό διάστημα το δέρμα γίνεται ξηρό, και μπορεί να προκαλέσει ασθένεια του δέρματος ή αλλεργία. Εάν το καύσιμο μπει στο μάτι καθαρίστε το με καθαρό νερό. Εάν το μάτι σας παραμείνει ερεθισμένο, συμβουλευτείτε το γιατρό σας.

### Χρονική περίοδος αποθήκευσης του καυσίμου

Το καύσιμο πρέπει να χρησιμοποιείται μέσα σε μια περίοδο 4 εβδομάδων, ακόμη και αν είναι φυλαγμένο σε ειδικό δοχείο σε μια καλά αεριζόμενη σκιερή περιοχή.

Διαφορετικά, το καύσιμο μπορεί να αλλοιωθεί σε μια μέρα.

### ΑΠΟΘΗΚΕΥΣΗ ΤΟΥ ΜΗΧΑΝΗΜΑΤΟΣ ΚΑΙ ΤΟΥ ΔΟΧΕΙΟΥ ΑΝΕΦΟΔΙΑΣΜΟΥ

- Φυλάξτε το μηχάνημα και το δοχείο σε ένα ψυχρό χώρο μακριά από το απευθείας ηλιακό φως.
- Ποτέ να μην τοποθετείτε το καύσιμο σε ένα αμάξι.

### Καύσιμο

Ο κινητήρας είναι ένας τετράχρονος κινητήρας. Φροντίστε να χρησιμοποιήσετε βενζίνη αυτοκινήτου 87 οκτανίων ή περισσότερων ((R+M)/2). Δεν πρέπει να περιέχει περισσότερο από 10% αλκοόλη (E-10).

### Σημειώσεις για το καύσιμο

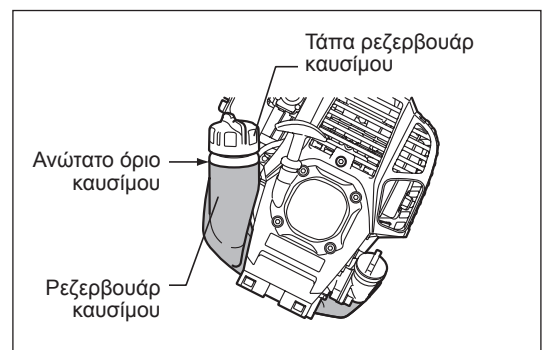
- Ποτέ να μην χρησιμοποιήσετε ένα μείγμα βενζίνης που περιέχει λάδι μηχανής. Διαφορετικά, θα προκληθεί υπερβολική συσσώρευση άνθρακα ή μηχανικά προβλήματα.
- Η χρήση αλλοιωμένου λαδιού θα προκαλέσει τη μη φυσιολογική εκκίνηση.

### Ανεφοδιασμός καυσίμου

#### ΠΡΟΕΙΔΟΠΟΙΗΣΗ: ΟΙ ΕΥΦΛΕΚΤΕΣ ΟΥΣΙΕΣ ΑΠΑΓΟΡΕΥΟΝΤΑΙ ΑΥΣΤΗΡΑ

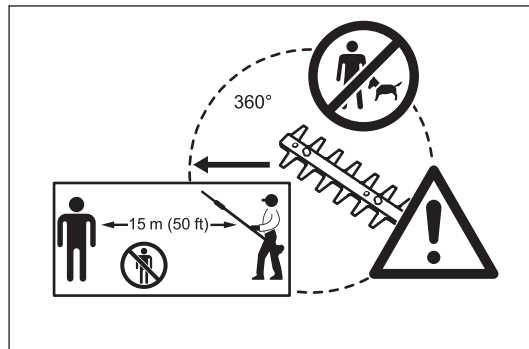
- Ξεσφίξτε λίγο την τάπα του ρεζερβουάρ για να εκτονωθεί η πίεση του ρεζερβουάρ.
- Αποσπάστε το καπάκι του ρεζερβουάρ, και ανεφοδιάστε, εκτονώνοντας τον αέρα γέροντας το ρεζερβουάρ καυσίμου έτσι ώστε η τρύπα ανεφοδιασμού να βλέπει προς τα πάνω. (ΜΗΝ γεμίσετε με καύσιμο έως το χείλος του ρεζερβουάρ.)
- Σκουπίστε καλά την περιφέρεια του καπακιού του ρεζερβουάρ για να αποτρέψετε στα ξένα σώματα να μπουν μέσα στο ρεζερβουάρ καυσίμου.
- Μετά τον ανεφοδιασμό, σφίξτε καλά την τάπα του ρεζερβουάρ.

- Εάν υπάρχει κάποια ανωμαλία ή ζημιά στην τάπα του ρεζερβουάρ, αντικαταστήστε τη.
- Η τάπα του ρεζερβουάρ φθείρεται με το πέρασμα του χρόνου. Αντικαταστήστε τη κάθε δυο ή τρία χρόνια.



## ΠΡΟΦΥΛΑΞΕΙΣ ΠΡΙΝ ΤΗΝ ΕΚΚΙΝΗΣΗ ΤΟΥ ΚΙΝΗΤΗΡΑ

- Πάντοτε να αφήνετε μια ζώνη ασφαλείας 15 μέτρων γύρω από την περιοχή εργασίας. Βεβαιωθείτε ότι όλα τα άτομα (κυρίως παιδιά) ή/και τα ζώα παραμένουν έξω από αυτή τη ζώνη.
- Πριν από τη χρήση του κονταροψάλιδου μπορντούρας, να βεβαιώσετε ότι το μηχάνημα βρίσκεται σε ασφαλή κατάσταση λειτουργίας. Βεβαιωθείτε ότι δεν έχουν υποστεί ζημιά οι λεπίδες κοπής και ελέγξτε το μοχλό του γκαζιού για να δείτε αν λειτουργεί εύκολα. Βεβαιωθείτε ότι δεν κινούνται οι λάμες κοπής όταν ο κινητήρας βρίσκεται στο ρελαντί. Αν το μηχάνημα δεν λειτουργεί κανονικά, επικοινωνήστε με τον αντιπρόσωπό σας για να ρυθμίσει το μηχάνημα. Βεβαιωθείτε ότι οι λαβές είναι καθαρές και στεγνές και ελέγξτε αν λειτουργεί σωστά ο διακόπτης I-O. Ξεκινήστε τον κινητήρα μόνο σύμφωνα με τις οδηγίες που δίνονται σε αυτό το εγχειρίδιο. Μην χρησιμοποιήσετε οποιαδήποτε άλλη μέθοδο για να ξεκινήσετε το κονταροψάλιδο μπορντούρας.
- Ξεκινήστε τον κινητήρα του κονταροψάλιδου μπορντούρας μόνο αφού διαβάσετε και κατανοήσετε πλήρως τις οδηγίες. Ποτέ μην επιχειρήσετε να ξεκινήσετε ένα κονταροψάλιδο μπορντούρας που δεν έχει συναρμολογηθεί πλήρως. Διαφορετικά μπορεί να προκληθεί σοβαρός τραυματισμός.
- Πριν από την εκκίνηση του κινητήρα, βεβαιωθείτε ότι οι λάμες κοπής δεν εμποδίζονται από κλαδιά πέτρες ή οποιαδήποτε άλλα στερεά αντικείμενα.
- Ελέγξτε το χώρο εργασίας για σύρματα, καλώδια, γυαλιά ή άλλα ξένα αντικείμενα που θα μπορούσαν να πιαστούν από τις λάμες κοπής.
- Ηλεκτροπληξία: Δώστε προσοχή στα ηλεκτρικά καλώδια της περιοχής. Ελέγξτε ολόκληρη την περιοχή εργασίας για την παρουσία γραμμών ηλεκτρικού ρεύματος και ηλεκτρικών περιφράξεων πριν αρχίσετε να εργάζεστε.



## ΣΗΜΕΙΑ ΧΕΙΡΙΣΜΟΥ ΚΑΙ ΤΡΟΠΟΣ ΣΤΑΜΑΤΗΜΑΤΟΣ

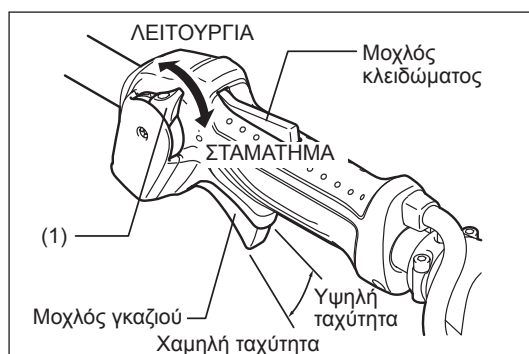
Να τηρείτε τους ισχύοντες κανονισμούς πρόληψης ατυχημάτων!

### ΞΕΚΙΝΗΜΑ

Μετακινηθείτε τουλάχιστον 3 μέτρα από το σημείο ανεφοδιασμού με καύσιμο. Τοποθετήστε το κονταροψάλιδο μπορντούρας σε μια καθαρή περιοχή στο έδαφος δίνοντας προσοχή ώστε οι λάμες κοπής να μην βρίσκονται σε επαφή με το έδαφος ή με άλλα αντικείμενα.

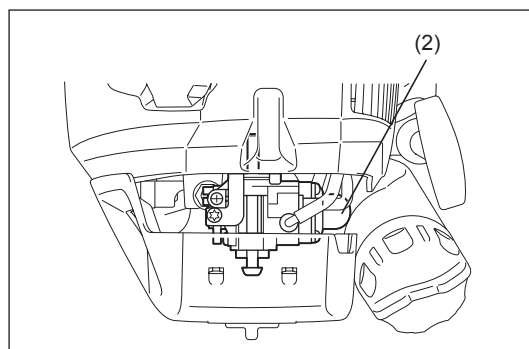
#### A: Εκκίνηση εν ψυχρώ

- 1) Τοποθετήστε αυτό το μηχάνημα σε μια επίπεδη επιφάνεια.
- 2) Τοποθετήστε το διακόπτη I-O (1) στη θέση ΛΕΙΤΟΥΡΓΙΑ.

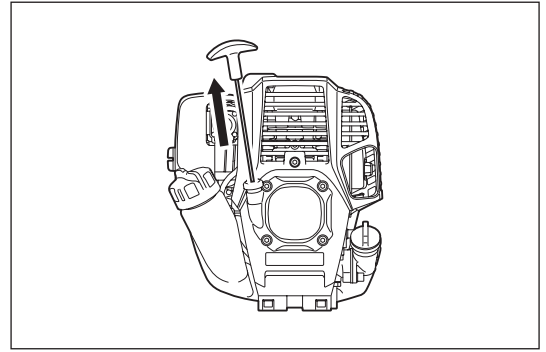


#### 3) Αντλία προέγχυσης

Συνεχίστε να σπρώχνετε την αντλία προέγχυσης (2) έως ότου το καύσιμο να εισέλθει μέσα στην αντλία προέγχυσης. (Γενικά, το καύσιμο εισέρχεται μέσα στην αντλία προέγχυσης με 7 έως 10 σπρωξίματα.) Εάν η αντλία προέγχυσης σπρωχτεί υπερβολικά, η περίσσεια ποσότητα βενζίνης επιστρέφει στο ρεζερβουάρ καυσίμου.



- 4) Εκκινήτριας ανατύλιξης  
Τραβήξτε τη λαβή του εκκινήτρια ελαφρά έως ότου καταστεί δύσκολο το τράβηγμα (σημείο συμπίεσης). Στην συνέχεια επιστρέψτε τη λαβή του εκκινήτρια και τραβήξτε την δυνατά. Ποτέ να μην τραβήξετε το σχοινί μέχρι τέρμα. Όταν τραβηχτεί η λαβή του εκκινήτρια, ποτέ να μην ελευθερώσετε το χέρι σας αμέσως. Κρατήστε τη λαβή του εκκινήτρια έως ότου να επιστρέψει στο αρχικό της σημείο.
- 5) Λειτουργία προθέρμανσης  
Συνεχίστε τη λειτουργία προθέρμανσης για 2 έως 3 λεπτά.



**ΣΗΜΕΙΩΣΗ:** Εάν εισέλθει υπερβολική ποσότητα καυσίμου, αφαιρέστε το μπουζί και τραβήξτε το χερούλι του εκκινήτρια αργά για να αφαιρέσετε το υπερβολικό καύσιμο. Επίσης, στεγνώστε το τμήμα του ηλεκτροδίου του μπουζί.

#### **B: Εκκίνηση μετά τη λειτουργία προθέρμανσης**

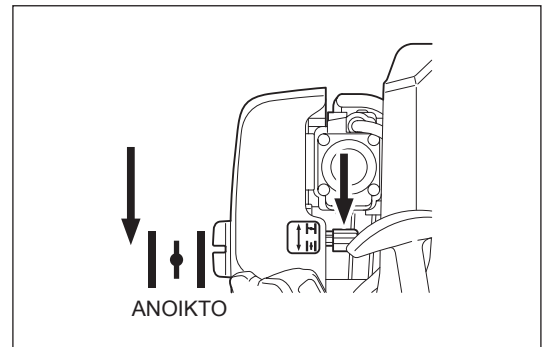
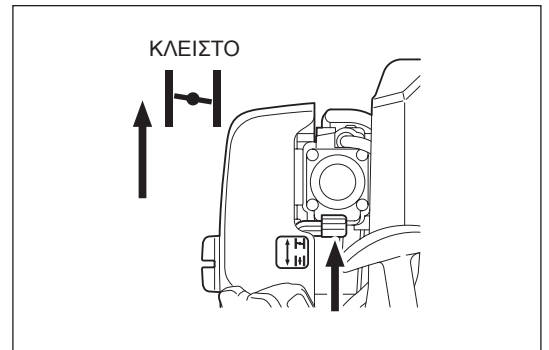
- 1) Επαναλάβετε το σπρώξιμο της αντλία προέγχυσης απαλά.
- 2) Κρατήστε τον μοχλό του γκαζιού στη θέση του ρελαντί.
- 3) Τραβήξτε γερά τον εκκινήτρια ανατύλιξης.
- 4) Εάν είναι δύσκολη η εκκίνηση του κινητήρα, ανοίξτε το γκάζι στο 1/3 περίπου. Δώστε προσοχή στις λάμες κοπής οι οποίες μπορούν να περιστραφούν.

**Κατά καιρούς, όπως το χειμώνα, όταν η εκκίνηση του κινητήρα είναι δύσκολη, χρησιμοποιήστε το τσοκ με την ακόλουθη διαδικασία κατά την εκκίνηση του κινητήρα.**

- Αφού εκτελέσετε τα βήματα της εκκίνησης 1) έως 3), τοποθετήστε το μοχλό του τσοκ στην ΚΛΕΙΣΤΗ θέση.
- Εκτελέστε το βήμα εκκίνησης 4) και ξεκινήστε τον κινητήρα.
- Όταν ξεκινήσει ο κινητήρας, τοποθετήστε τον μοχλό του τσοκ στην ΑΝΟΙΚΤΗ θέση.
- Εκτελέστε το βήμα εκκίνησης 5) και ολοκληρώστε το ζέσταμα.

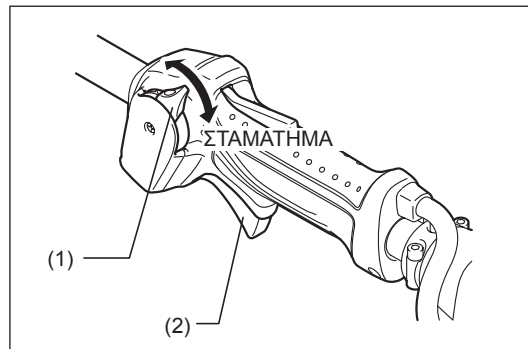
**ΠΡΟΣΟΧΗ:** Αν ακουστεί ένα μπαγκ (εκρηκτικός θόρυβος) και σταματήσει ο κινητήρας ή αν σταματήσει ο κινητήρας πριν από το χειρισμό του μοχλού του τσοκ, επιστρέψτε τον μοχλό του τσοκ στην ΑΝΟΙΚΤΗ θέση και στη συνέχεια, τραβήξτε το κουμπί μίζας μερικές φορές για να ξεκινήσει ο κινητήρας.

**ΠΡΟΣΟΧΗ:** Αν ο μοχλός του τσοκ παραμείνει στην ΚΛΕΙΣΤΗ θέση και το κουμπί μίζας απλά τραβηχτεί επαναλαμβανόμενα, θα εισέλθει παραπάνω ποσότητα καυσίμου και ο κινητήρας θα είναι δύσκολο να ξεκινήσει.



## ΣΤΑΜΑΤΗΜΑ

- 1) Αφήστε εντελώς το μοχλό του γκαζιού (2) και μετά όταν οι στροφές του κινητήρα χαμηλώσουν, ρυθμίστε το διακόπτη I-O (1) στη θέση ΣΤΑΣΗΣ και ο κινητήρας τώρα θα σταματήσει.
- 2) Έχετε υπόψη ότι η κεφαλή κοπής μπορεί να μην σταματήσει αμέσως και αφήστε την να σταματήσει εντελώς.

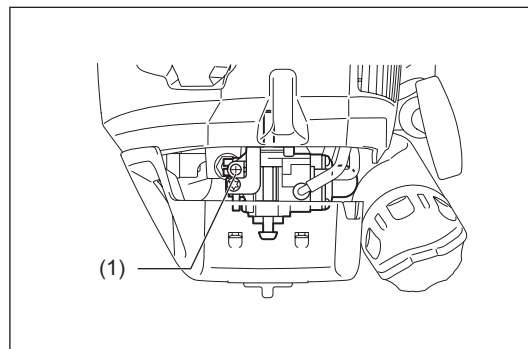


## ΡΥΘΜΙΣΗ ΤΗΣ ΠΕΡΙΣΤΡΟΦΗΣ ΧΑΜΗΛΗΣ ΤΑΧΥΤΗΤΑΣ (ΡΕΛΑΝΤΙ)

Όταν είναι απαραίτητο να ρυθμίσετε την περιστροφή χαμηλής ταχύτητας (ρελαντί), εκτελέστε την από τη βίδα ρύθμισης του καρμπυρατέρ (1).

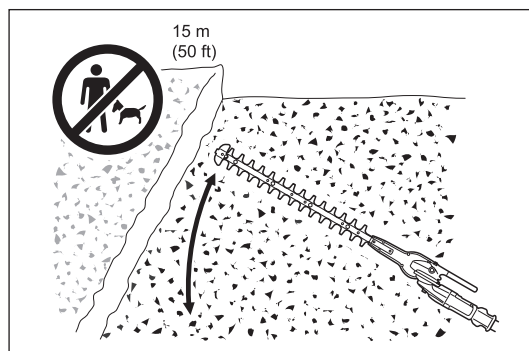
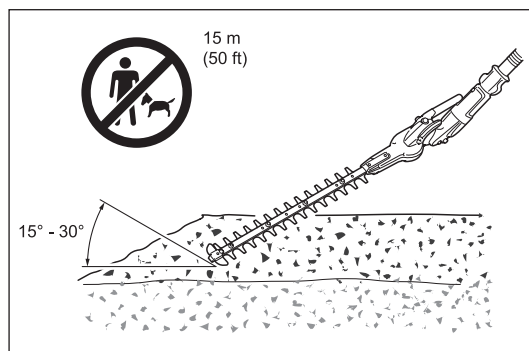
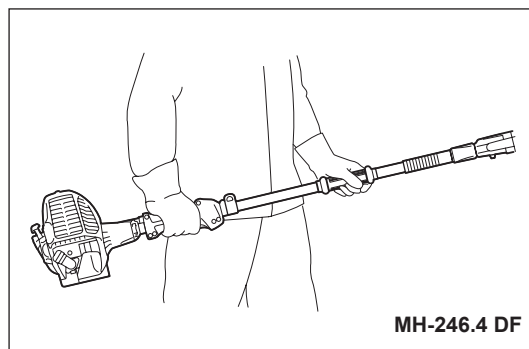
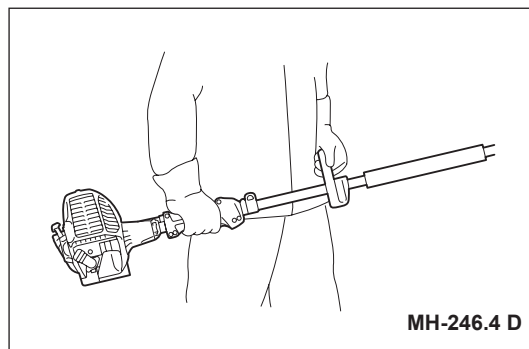
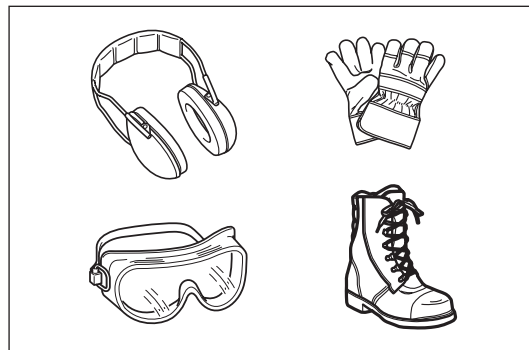
## ΕΛΕΓΧΟΣ ΤΗΣ ΠΕΡΙΣΤΡΟΦΗΣ ΧΑΜΗΛΗΣ ΤΑΧΥΤΗΤΑΣ

- Ρυθμίστε τη χαμηλή ταχύτητας περιστροφής στις 3.000 σαλ (λεπτό). Εάν είναι απαραίτητο να αλλάξει η ταχύτητα περιστροφής, προσαρμόστε την ρυθμιστική βίδα (1) με ένα σταυρωτό κατσαβίδι.
- Στρέψτε τη ρυθμιστική βίδα προς τα δεξιά και η ταχύτητα του κινητήρα θα αυξηθεί. Στρέψτε τη ρυθμιστική βίδα προς τα αριστερά και η περιστροφή του κινητήρα θα μειωθεί.
- Το καρμπυρατέρ είναι γενικά ρυθμισμένο πριν την αποστολή. Εάν είναι απαραίτητη η επαναρρύθμιση, παρακαλούμε ελάτε σε επαφή με ένα εξουσιοδοτημένο κέντρο σέρβις.



## ΧΕΙΡΙΣΜΟΣ ΤΟΥ ΚΟΝΤΑΡΟΨΑΛΙΔΟΥ ΜΠΟΡΝΤΟΥΡΑΣ

- Μην αγγίζετε το τμήμα της λάμας κοπής του κονταροψάλιδου μπορντούρας κατά τη διάρκεια της λειτουργίας ή όταν το κινητήριο βρίσκεται σε λειτουργία.
- Δώστε επιπλέον προσοχή για να μην εισπνεύσετε καυσαέρια κατά την εργασία με το κονταροψάλιδο μπορντούρας. Ποτέ μην χρησιμοποιείτε το κονταροψάλιδο μπορντούρας σε κλειστό χώρο ή σε σήραγγα χωρίς εξαερισμό (κίνδυνος ασφυξίας και δηλητηρίασης από αέριο). Σημειώστε ότι το μονοξείδιο του άνθρακα είναι ένα άοσμο αέριο που δεν μπορεί να ανιχνευθεί από την αίσθηση της όσφρησης.
- Πάντα να φοράτε κατάλληλα προστατευτικά ενδύματα προτού αρχίσετε να εργάζεστε με το κονταροψάλιδο μπορντούρας.
- Σταματήστε αμέσως τον κινητήρα αν ο σιαστήρας δεν λειτουργεί σωστά.
- Χρησιμοποιείτε το κονταροψάλιδο μπορντούρας μόνο σε συνθήκες καλού φωτισμού και ορατότητας.
- Μην λειτουργείτε το κονταροψάλιδο μπορντούρας στο σκοτάδι ή στην ομίχλη. Δώστε προσοχή στις ολισθηρές και υγρές περιοχές (πάγος και χιόνι) κατά τη χειμερινή περίοδο (κίνδυνος ολίσθησης) και πάντα να διασφαλίσετε ένα σταθερό πάτημα.
- Ποτέ μην χρησιμοποιείτε το κονταροψάλιδο μπορντούρας, ενώ στέκεται πάνω σε ασταθείς επιφάνειες ή σε απότομη πλαγιά.
- Ποτέ να μην χρησιμοποιήσετε το κονταροψάλιδο μπορντούρας όταν στέκεστε πάνω σε μια σκάλα.
- Ποτέ μην ανεβαίνετε σε ένα δέντρο για να χρησιμοποιήσετε το κονταροψάλιδο μπορντούρας πάνω στο δέντρο.
- Ελέγξτε το χώρο εργασίας για σύρματα, καλώδια, γυαλιά ή άλλα ξένα αντικείμενα που θα μπορούσαν να πιαστούν από τις λάμες κοπής.
- Βεβαιωθείτε ότι οι λάμες κοπής βρίσκονται σε γρήγορη κίνηση πριν από την έναρξη της κοπής.
- Πάντα να κρατάτε το κονταροψάλιδο μπορντούρας και με τα δύο χέρια και να διατηρείτε μια σταθερή λαβή όταν εργάζεστε με το μηχάνημα.
- Για να διασφαλίσετε το βέλτιστο έλεγχο του κονταροψάλιδου μπορντούρας, πάντα να τυλίγετε πλήρως τα χέρια σας γύρω από τις λαβές (χρησιμοποιήστε τον αντίχειρά σας για αντίθετη πίεση) και να κρατάτε τα χερούλια με σταθερή λαβή.
- Σημειώστε ότι οι λεπίδες κοπής θα παραμείνουν σε κίνηση για έως δύο δευτερόλεπτα μετά από την απελευθέρωση του μοχλού του γκαζιού.
- Μην κόβετε με το κονταροψάλιδο μπορντούρας στις χαμηλές στροφές.
- Η ταχύτητα των λαμών κοπής δεν μπορεί να ρυθμιστεί κατάλληλα με το μοχλό του γκαζιού όταν ο κινητήρας λειτουργεί στη χαμηλή ταχύτητα.
- Για να κόψετε την πάνω επιφάνεια ενός φράκτη, ευθυγραμμίστε πρώτα τις λάμες κοπής στη γωνία 15° - 30° στην κατεύθυνση κοπής και κρατήστε το κονταροψάλιδο μπορντούρας στην οριζόντια θέση. Στη συνέχεια, ξεκινήστε το κλάδεμα του φράκτη με κίνηση αιώρησης, που να μοιάζουν με το σχηματισμό τμημάτων κύκλου με τον άξονα του ψαλιδιού μπορντούρας.
- Για να κλαδέψετε τις πλευρές του φράκτη, ευθυγραμμίστε τις λάμες παράλληλα με την επιφάνεια που πρόκειται να κόψετε και να αρχίστε το κλάδεμα με ημικυκλικές κινήσεις προς τα πάνω (κάτω προς τα πάνω).
- Δώστε ιδιαίτερη προσοχή κατά το κλάδεμα άκρων κοντά ή πάνω σε συρματινούς φράκτες.
- Μην αγγίζετε σκληρά αντικείμενα όπως συρματίνο φράκτη, πέτρα ή έδαφος με τις λάμες κοπής. Μπορεί να προκληθεί ράγισμα, αποκόλληση κομματιών ή σπάσιμο των λαμών.
- Μην χρησιμοποιείτε το κονταροψάλιδο μπορντούρας για παρατεταμένο χρονικό διάστημα. Κατά γενικό κανόνα, για κάθε 50 λεπτά λειτουργίας κάνετε ένα διάλειμμα 10-20 λεπτών.
- Εάν οι λάμες κοπής έρθουν σε επαφή με πέτρες ή άλλα στερεά αντικείμενα, σταματήστε τον κινητήρα αμέσως και ελέγξτε τις λάμες για ύπαρξη ζημιάς. Αντικαταστήστε τις λάμες εάν έχουν πάθει ζημιά.
- Αν το κονταροψάλιδο μπορντούρας παρουσιάσει κάποιο πρόβλημα κατά τη λειτουργία (παραξένους θορύβους, δονήσεις, κλπ.), σταματήστε αμέσως τον κινητήρα. Μην χρησιμοποιήσετε ξανά το μηχάνημα μέχρι την αναγνώριση και επίλυση του προβλήματος.
- Πάντα να καταβάλετε την κάθε δυνατή προσπάθεια για να κρατηθούν η ρύπανση και οι εκπομπές θορύβου όσο το δυνατόν χαμηλότερα κατά τη λειτουργία του κονταροψάλιδου μπορντούρας. Δώστε ιδιαίτερη προσοχή στην σωστή ρύθμιση του καρμπυρατέρ.
- Αν μπλέξουν μέσα στις λάμες κοπής κλαδιά, σβήστε αμέσως τον κινητήρα, τοποθετήστε τη συσκευή στο έδαφος και αφαιρέστε τα εμπόδια. Ελέγξτε τις λάμες για ύπαρξη ζημιάς πριν από την επανάληψη της χρήσης του μηχανήματος.





## Ρύθμιση της γωνίας κοπής

### Προειδοποίηση:

- Μην λειτουργείτε το εργαλείο με χαλαρή και ασταθή μονάδα κόφτη.

Μπορείτε να ρυθμίσετε τη γωνία κοπής προς τα επάνω στις 45° και προς τα κάτω στις 90°.

1. Σταματήστε τον κινητήρα του κονταροψάλιδου μπροντούρας και τοποθετήστε το μηχάνημα στο έδαφος.
2. Για να ρυθμίσετε τη γωνία της μονάδας κόφτη, κρατήστε τη λαβή (A) της μονάδας κόφτη με το ένα χέρι και κρατήστε την κλειδαριά της γωνίας (B) με το άλλο χέρι, όπως εικονίζεται.
3. Τραβήξτε την κλειδαριά της γωνίας απαλά, και αλλάξτε τη γωνία της μονάδας κόφτη. Μετά τη ρύθμιση της γωνίας, επαναφέρετε την κλειδαριά της γωνίας απαλά.

### Σημείωση:

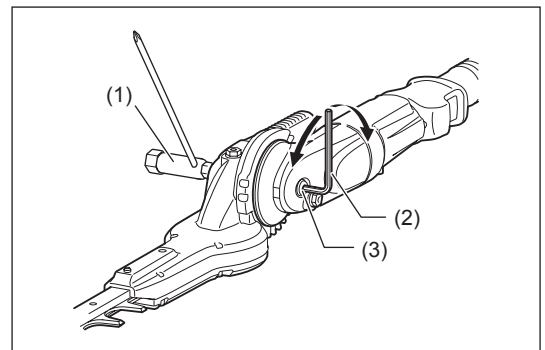
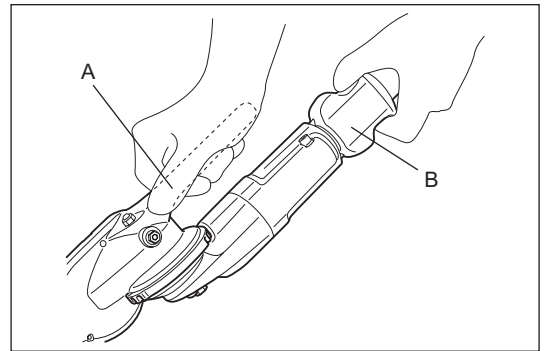
- Η μονάδα κόφτη στερεώνεται μόνο υπό ορισμένες γωνίες κατά μήκος της αυλάκωσης της συσκευής. Βεβαιωθείτε ότι η μονάδα κόφτη κάθεται σωστά. Εάν η γωνία δεν είναι κατάλληλη, ο συμπλέκτης κόβεται και το εργαλείο δεν λειτουργεί.
- Μην ρυθμίζετε τη μονάδα κόφτη, όταν το κονταροψάλιδο μπροντούρας βρίσκεται σε όρθια θέση.
- Μετακινήστε το διακόπτη I-O στη θέση "O" και τοποθετήστε το κονταροψάλιδο μπροντούρας επίπεδα στο έδαφος για να ρυθμίσετε τη γωνία κοπής.
- Πάντα να ασφαλίσετε τις λεπίδες με το παρεχόμενο κάλυμμα λεπίδων πριν από τη ρύθμιση της γωνίας κοπής.

Στην περίπτωση που η μονάδα κόφτη είναι χαλαρή θα πρέπει να σφιχτεί το μπουλόνι (ο άξονας της γωνίας ρύθμισης).

1. Τοποθετήστε το σωληνωτό κλειδί (1) και το εξάγωνο κλειδί (2) στο μπουλόνι (3).
2. Ρυθμίστε το σφίξιμο της μονάδας κόφτη περιστρέφοντας το εξάγωνο κλειδί και στη συνέχεια σφίξτε το μπουλόνι γυρίζοντας το σωληνωτό κλειδί.

### Σημείωση:

- Μην σφίξετε τη μονάδα κόφτη πάρα πολύ. Η γωνία της μονάδας κόφτη δεν μπορεί να αλλάξει αν είναι πολύ σφιχτή.



## ΣΥΝΤΗΡΗΣΗ

- Πριν από την εκτέλεση οποιασδήποτε εργασίας συντήρησης στο κονταροψάλιδο μπορντούρας (καθαρισμός λάμας, κλπ.), πάντοτε να σταματάτε τον κινητήρα και να περιμένετε έως ότου ο κινητήρας κρυώσει. Ως πρόσθετο μέτρο ασφαλείας, αφαιρέστε επίσης την πίπα του μπουζί.
- Μην προσπαθήσετε να ισιώσετε ή να συγκολλήσετε λυγισμένες ή σπασμένες λάμες κοπής. Πάντοτε να αντικαθιστάτε τις κατεστραμμένες λάμες.
- Σταματάτε τον κινητήρα σε τακτά χρονικά διαστήματα για να ελέγξετε τις λάμες κοπής για ύπαρξη πιθανής βλάβης (εκτελέστε μια δοκιμή κτυπήματος-συντονισμού για την ανίχνευση δύσκολα εντοπίσιμων τριχοειδών ρωγμών). Πάντα να σιγουρεύεστε ότι τα δόντια των λαμών είναι αιχμηρά.
- Καθαρίζετε τακτικά το κονταροπρίονο μπορντούρας. Κατά τη διάρκεια του καθαρισμού επίσης να ελέγχετε ότι είναι καλά σφιγμένα όλες οι βίδες, τα παξιμάδια και τα μπουλόνια.
- Για να μειώσετε τον κίνδυνο πυρκαγιάς, ποτέ να μην εκτελείτε το σέρβις ή να αποθηκεύετε το κονταροπρίονο μπορντούρας κοντά σε γυμνές φλόγες.
- Πάντοτε να φοράτε προστατευτικά γάντια κατά τον χειρισμό των λαμών κοπής.
- Επικοινωνήστε με τον αντιπρόσωπό σας για ανταλλακτικές λάμες κοπής.
- Μην χρησιμοποιήσετε ποτέ βενζίνη, βενζόλη, διαλυτικό, αλκοόλη ή κάτι παρόμοιο για καθαρισμό. Μπορεί να προκληθεί αποχρωματισμός, παραμόρφωση ή ρωγμές.

### Ακόνισμα της λάμας

Εάν οι λάμες κοπής έχουν αμβλυνθεί και η απόδοση κοπής είναι κακή, παραδώστε τις λάμες για ακόνισμα σε ένα εξουσιοδοτημένο τεχνικό του σέρβις.

### Ρύθμιση διάκενου λαμών

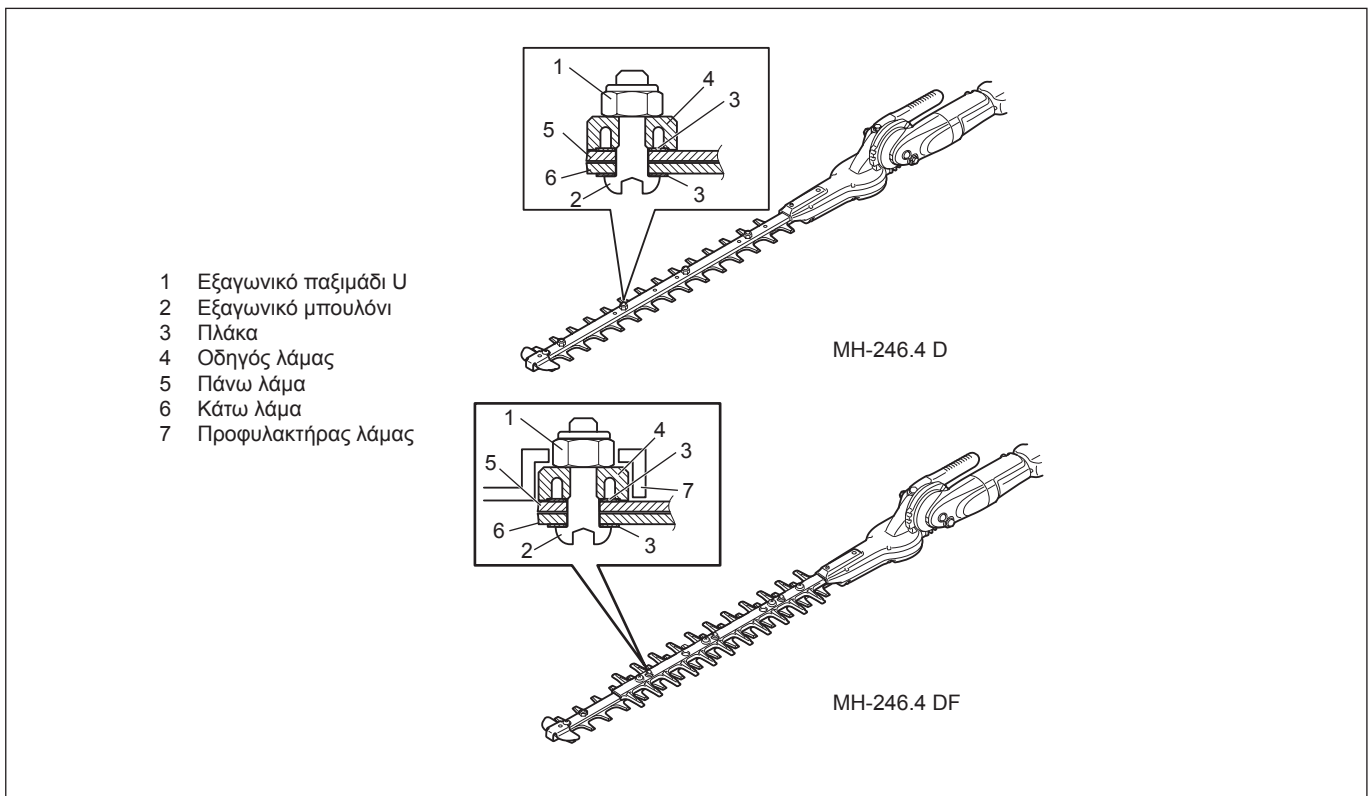
Οι πάνω/κάτω λάμες φθείρονται βαθμιαίως με τις χρήσεις. Αν δεν μπορείτε να κάνετε ένα καλό κόψιμο παρότι οι λάμες είναι καλά ακονισμένες, ρυθμίστε το διάκενο όπως περιγράφεται παρακάτω.

Το πόσο σφικτό είναι το εξαγωγικό μπουλόνι σύνδεσης καθορίζει την απόσταση των λαμών. Το παξιμάδι κρατά το εξαγωγικό μπουλόνι σύνδεσης με ορισμένο σφίξιμο. Το μεγάλο διάκενο προκαλεί αμβλύ κόψιμο, αλλά το πολύ μικρό διάκενο προκαλεί περιττή θερμότητα και γρηγορότερη φθορά των λαμών.

1. Ξεσφίξτε το παξιμάδι (1) με ένα σωληνωτό ή γαλλικό κλειδί.
2. Σφίξτε ελαφρώς το εξαγωγικό μπουλόνι σύνδεσης (2) με ένα εξάγωνο κλειδί μέχρι να σταματήσει. Και στη συνέχεια, ξεβιδώστε προς τα πίσω μεταξύ ενός τετάρτου της στροφής και μισής περιστροφής για να αποκτηθεί το αναγκαίο διάκενο.
3. Περιστρέψτε το παξιμάδι (1), κρατώντας το εξαγωγικό μπουλόνι σύνδεσης (2).
4. Επαλείψτε με ένα λεπτόρρευστο λάδι την επιφάνεια τριβής των λαμών.
5. Ξεκινήστε τον κινητήρα, πατάτε και αφήνετε το γκάζι για ένα λεπτό.
6. Σταματήστε τον κινητήρα και αγγίξτε την επιφάνεια. Εάν δεν είναι πολύ ζεστές ώστε να μπορείτε να τις αγγίξετε, τότε έχετε κάνει τη σωστή ρύθμιση. Αν είναι πάρα πολύ ζεστές για να τις αγγίξετε, περιστρέψτε λίγο το εξαγωγικό μπουλόνι σύνδεσης (2) προς τα πίσω και επαναλάβετε τα βήματα 5 έως 6.

**ΣΗΜΕΙΩΣΗ:** Πριν κάνετε τη ρύθμιση, σταματήστε τον κινητήρα και περιμένετε να σταματήσουν οι λάμες.

Οι λάμες διαθέτουν μια σχισμή γύρω από το εξαγωγικό μπουλόνι σύνδεσης (2). Στην περίπτωση που βρείτε σκόνη στο άκρο κάποιας από τις σχισμές, καθαρίστε το.

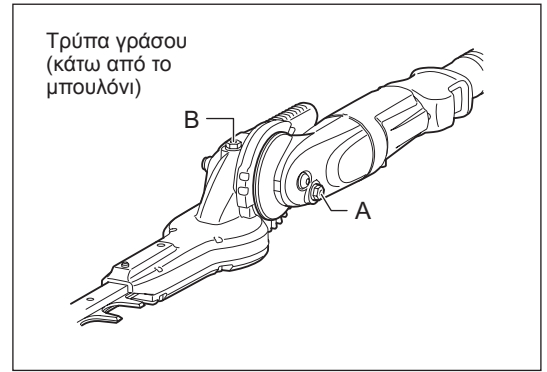


## Προσθήκη γράσου και λιπαντικού

**Σημαντικό:** Βεβαιωθείτε ότι η επιφάνεια του κιβωτίου ταχυτήτων είναι εντελώς κρύα πριν από τη λίπανση.

- Το κιβώτιο ταχυτήτων του κονταροψάλιδου μπορντούρας θα πρέπει να λιπαίνεται κάθε 25 ώρες εργασίας. Η τρύπα γράσου βρίσκεται κάτω από το μπουλόνι. Αφαιρέστε το μπουλόνι για τη λίπανση. Προσθέστε περίπου 3 g (4 cc) λιπαντικού στο σημείο A του κιβωτίου ταχυτήτων και 5 g (7 cc) του λιπαντικού στο σημείο B αντιστοίχως μέσω της τρύπας γράσου. Επαναφέρετε το μπουλόνι μετά το γρασάρισμα. Μετά την πλήρωση της σωστής ποσότητας γράσου, το θα βγει λίγο γράσο έξω από τη βάση της λεπίδας κατά την πρώτη λειτουργία.

**ΠΡΟΣΟΧΗ:** Τηρήστε τα διαστήματα λίπανσης και το ποσό του γράσου που πρέπει να παρασχεθεί. Τα μηχανικά μέρη του κονταροψάλιδου μπορντούρας μπορεί να υποστούν ζημιά εάν δεν παρασχεθεί το γράσο στα προκαθορισμένα διαστήματα ή αν προστεθεί μια ανεπαρκής ποσότητα γράσου.



## Καθημερινός έλεγχος και συντήρηση

Για να εξασφαλιστεί η μεγάλη διάρκεια ζωής του κονταροψάλιδου μπορντούρας, εκτελέστε τις παρακάτω ελέγχους και τη συντήρηση σε καθημερινή βάση.

- Πριν τη χρήση:
  - Πάντα να ελέγχετε ξεσφιγμένα ή ελλείποντα εξαρτήματα πριν από την έναρξη της λειτουργίας. Δώστε ιδιαίτερη προσοχή στη μονάδα κοπής και βεβαιωθείτε ότι οι βίδες των λαμών κοπής είναι καλά σφιγμένες.
  - Ελέγξτε αν οι δίοδοι του ψυκτικού αέρα είναι φραγμένες καθώς και αν είναι μπλοκαρισμένα τα πτερύγια ψύξης του κυλίνδρου πριν από την έναρξη της λειτουργίας. Καθαρίστε εάν είναι απαραίτητο.
- Μετά τη χρήση:
  - Καθαρίστε εξωτερικά το κονταροψάλιδο μπορντούρας και επιθεωρήστε το για ύπαρξη ζημιάς.
  - Καθαρίστε το φίλτρο αέρα. Καθαρίστε το φίλτρο αρκετές φορές την ημέρα, εάν εργάζεστε υπό εξαιρετικά σκονισμένες συνθήκες.
  - Ελέγξτε τις λάμες κοπής για ύπαρξη φθοράς. Βεβαιωθείτε ότι οι λάμες είναι ασφαλώς στερεωμένες.
  - Εάν στο ρεζελαντί οι λάμες κοπής συνεχίζουν να λειτουργούν μετά τη ρύθμιση, συμβουλευτείτε τον πλησιέστερο εξουσιοδοτημένο αντιπρόσωπο του σέρβις.

## ΑΝΤΙΚΑΤΑΣΤΑΣΗ ΤΟΥ ΛΑΔΙΟΥ ΤΟΥ ΚΙΝΗΤΗΡΑ

Το αλλοιωμένο λάδι του κινητήρα θα μικρύνει τη διάρκεια ζωής των εξαρτημάτων που ολισθαίνουν και περιστρέφονται κατά μεγάλο βαθμό. Φροντίστε να ελέγχετε την περίοδο και την ποσότητα της αντικατάστασης.



**ΚΙΝΔΥΝΟΣ:** Γενικά, η κύρια μονάδα του κινητήρα και το λάδι του κινητήρα παραμένουν ακόμη ζεστά αμέσως μετά το σταμάτημα του κινητήρα. Κατά την αντικατάσταση του λαδιού, βεβαιωθείτε ότι η κύρια μονάδα του κινητήρα και το λάδι του κινητήρα έχουν επαρκώς κρυώσει. Διαφορετικά υπάρχει ο κίνδυνος εγκαύματος. Αφήστε αρκετό χρόνο μετά το σταμάτημα του κινητήρα ώστε το λάδι του κινητήρα να επιστρέψει στο ρεζερβουάρ λαδιού για να εξασφαλιστεί η ακριβής ανάγνωση του δείκτη της στάθμης του λαδιού.

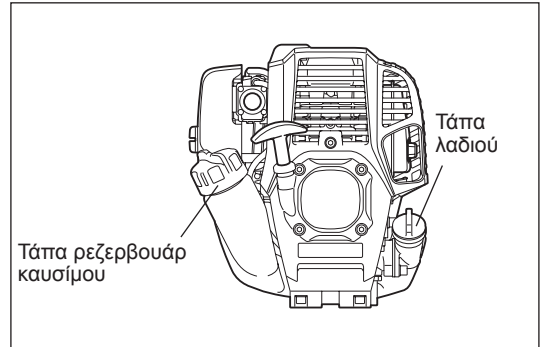
**ΣΗΜΕΙΩΣΗ:** Εάν το λάδι γεμίσει πάνω από το όριο, το λάδι μπορεί να ρυπανθεί ή να πιάσει φωτιά με άσπρο καπνό.

**Διάστημα αντικατάστασης:** Μετά από τις πρώτες 20 ώρες λειτουργίας και ακολούθως κάθε 50 ώρες λειτουργίας

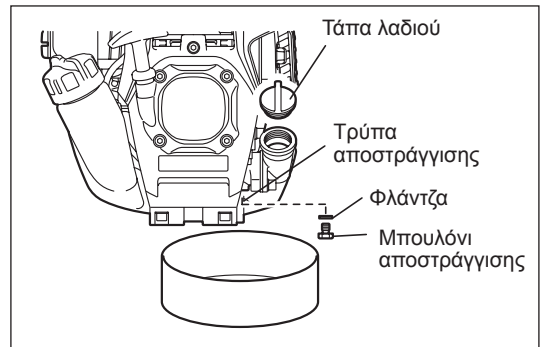
**Συνιστώμενο λάδι:** SAE 10W-30 λάδι Κατηγορίας API Κλάση SF ή υψηλότερη (4-χρονος κινητήρας για αυτοκίνητα)

Κατά την αντικατάσταση εκτελέστε την παρακάτω διαδικασία.

- 1) Φροντίστε ώστε η τάπα του ρεζερβουάρ καυσίμου να είναι καλά σφισμένη.
- 2) Τοποθετήστε ένα μεγάλο δοχείο (λεκάνη, κτλ) κάτω από την τρύπα αποστράγγισης.



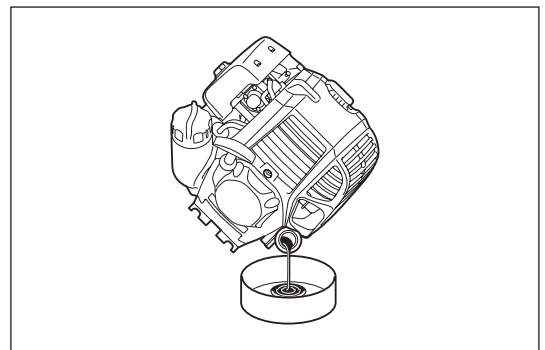
- 3) Αφαιρέστε το μπουλόνι αποστράγγισης και στη συνέχεια αφαιρέστε την τάπα του λαδιού για να αποστραγγιστεί το λάδι από την τρύπα αποστράγγισης. Τη στιγμή αυτή, φροντίστε ώστε να μην χάσετε τη φλάντζα του μπουλονιού αποστράγγισης ή να μην κολλήσει βρωμιά πάνω στα εξαρτήματα που έχουν αφαιρεθεί.
- 4) Όταν αποστραγγιστεί όλο το λάδι, ενώστε τη φλάντζα με το μπουλόνι αποστράγγισης και στερεώστε καλά το μπουλόνι αποστράγγισης έτσι ώστε να μην μπορεί να χαλαρώσει και να προκαλέσει διαρροές.  
\* Χρησιμοποιώντας ένα ύφασμα σκουπίστε το λάδι που τυχόν υπάρχει πάνω στο μπουλόνι ή στη συσκευή.



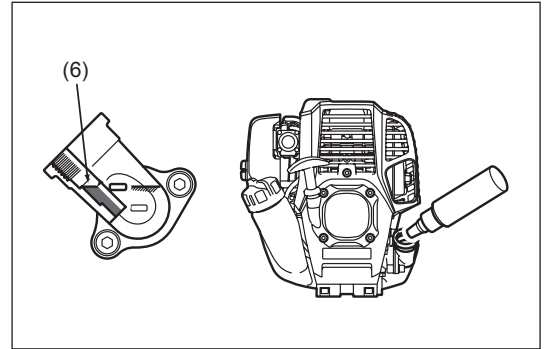
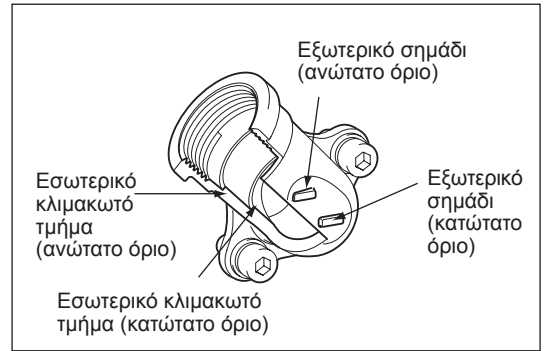
### Εναλλακτική μέθοδος αποστράγγισης

Αφαιρέστε τη τάπα του λαδιού, δώστε κλίση στο κονταροψάλιδο μπροντούρας προς το μέρος της τρύπας του πληρωτή λαδιού και στη συνέχεια, αποστραγγίστε έξω το λάδι.

Συλλέξτε το λάδι στο δοχείο.



- 5) Τοποθετήστε επίπεδα τον κινητήρα και στη συνέχεια, γεμίστε βαθμιαία έως τη σήμανση του ανώτατου ορίου (6) με καινούργιο λάδι.
- 6) Μετά το γέμισμα, σφίξτε καλά την τάπα του λαδιού έτσι ώστε να μην ξεσφίξει και προκαλέσει διαρροές. Εάν η τάπα του λαδιού δεν στερεωθεί καλά μπορεί να προκληθεί διαρροή.



#### ΣΗΜΕΙΩΣΕΙΣ ΓΙΑ ΤΟ ΛΑΔΙ

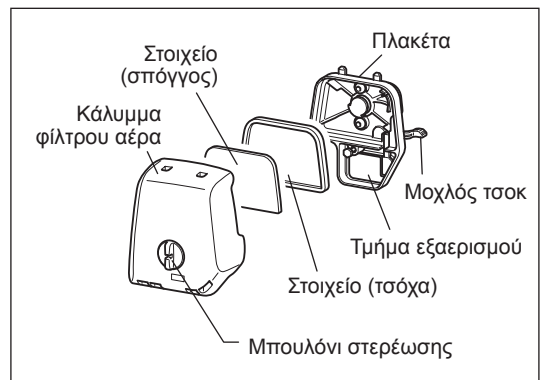
- Ποτέ να μην πετάξετε το παλιό λάδι στα σκουπίδια, στο έδαφος ή στην αποχέτευση. Η απόρριψη του λαδιού υπόκειται στην νομοθεσία. Κατά την απόρριψη, πάντοτε να ακολουθείτε τους σχετικούς νόμους και κανονισμούς. Εάν δεν γνωρίζετε κάποια στοιχεία, επικοινωνήστε με τον εξουσιοδοτημένο αντιπρόσωπο του σέρβις.
- Το λάδι θα αλλοιωθεί ακόμη και αν το φυλάξετε αχρησιμοποίητο. Εκτελέστε τον έλεγχο και την αντικατάσταση σε τακτά διαστήματα (αντικαταστήστε με καινούργιο λάδι κάθε 6 μήνες).

#### Καθαρισμός του φίλτρου αέρα

##### ΚΙΝΔΥΝΟΣ: Οι εύφλεκτες ουσίες απαγορεύονται αυστηρά

Ελέγχετε και καθαρίζετε το φίλτρο αέρα καθημερινά ή κάθε 10 ώρες λειτουργίας.

- Στρέψτε το μοχλό του τσοκ στην πλήρως κλειστή πλευρά και κρατήστε το καρμπυρατέρ καθαρό από βρωμιά ή σκόνη.
- Ξεσφίξτε το μπουλόνι στερέωσης.
- Αφαιρέστε το κάλυμμα του φίλτρου αέρα τραβώντας την κάτω πλευρά του.
- Αφαιρέστε τα στοιχεία και χτυπήστε τα για να αφαιρέσετε τη βρωμιά.
- Αν τα στοιχεία είναι υπερβολικά βρώμικα:  
Αφαιρέστε τα στοιχεία, βυθίστε τα σε ζεστό νερό ή σε νερό με διαλυμένο ουδέτερο απορρυπαντικό, και στεγνώστε τα εντελώς. Μην τα πιέζετε και μην τα τρίβετε κατά το πλύσιμο.
- Πριν συνδέσετε τα στοιχεία, φροντίστε να τα στεγνώσετε αμέσως. Το ανεπαρκές στεγνώμα των στοιχείων μπορεί να προκαλέσει τη δυσκολία εκκίνησης.
- Σκουπίστε με ένα άχρηστο πανί το λάδι που είναι κολλημένο γύρω από το κάλυμμα του φίλτρου αέρα και το τμήμα του τμήματος εξαερισμού.
- Τοποθετήστε το στοιχείο (σπόγγος) μέσα στο στοιχείο (τσόχα).  
Τοποθετήστε τα στοιχεία μέσα στην πλακέτα έτσι ώστε ο σπόγγος να βλέπει προς το κάλυμμα του φίλτρου αέρα.
- Αμέσως συνδέστε το κάλυμμα του φίλτρου και σφίξτε το με τα μπουλόνια στερέωσης. (Κατά την επανατοποθέτηση, πρώτα τοποθετήστε την πάνω προεξοχή, και στη συνέχεια την κάτω προεξοχή.)



#### ΕΙΔΟΠΟΙΗΣΗ:

- Καθαρίστε τα στοιχεία αρκετές φορές την ημέρα, εάν κολλάει πάνω τους υπερβολική σκόνη. Τα βρώμικα στοιχεία μειώνουν την ισχύ του κινητήρα και δυσχεραίνουν την εκκίνηση του κινητήρα.
- Αφαιρέστε το λάδι από τα στοιχεία. Εάν συνεχιστεί η λειτουργία με τα στοιχεία να παραμένουν βρώμικα από λάδι, το λάδι από το φίλτρο αέρα μπορεί να πέσει έξω προκαλώντας ρύπανση του περιβάλλοντος.
- Μην τοποθετείτε τα στοιχεία στο έδαφος ή σε βρώμικο χώρο. Αλλιώς μαζεύουν βρωμιά ή θραύσματα και μπορεί να προκληθεί βλάβη στον κινητήρα.
- Ποτέ να μη χρησιμοποιείτε καύσιμο για τον καθαρισμό των στοιχείων. Το καύσιμο μπορεί να προκαλέσει τη βλάβη τους.

## ΕΛΕΓΧΟΣ ΤΟΥ ΜΠΟΥΖΙ

- Χρησιμοποιήστε μόνο το παρεχόμενο κλειδί γενικής χρήσης για την αφαίρεση ή την τοποθέτηση του μπουζί.
- Το διάκενο μεταξύ των δυο ηλεκτροδίων του μπουζί πρέπει να είναι 0,7-0,8 mm (0,028" - 0,032"). Διορθώστε το διάκενο εάν είναι πολύ μεγάλο ή μικρό. Εάν το μπουζί είναι βουλωμένο ή ρυπαρό, καθαρίστε το καλά ή αντικαταστήστε το.

ΠΡΟΣΟΧΗ: Ποτέ να μην αγγίζετε το σύνδεσμο του μπουζί καθώς λειτουργεί ο κινητήρας (υπάρχει κίνδυνος ηλεκτροπληξίας από την υψηλή τάση).

## Καθαρισμός του φίλτρου καυσίμου (κεφαλή αναρρόφησης στο ρεζερβουάρ καυσίμου)

### ΠΡΟΕΙΔΟΠΟΙΗΣΗ: ΟΙ ΕΥΦΛΕΚΤΕΣ ΟΥΣΙΕΣ ΑΠΑΓΟΡΕΥΟΝΤΑΙ ΑΥΣΤΗΡΩΣ

Ελέγχετε και καθαρίζετε το φίλτρο καυσίμου μηνιαίως ή κάθε 50 ώρες λειτουργίας.

Ελέγξτε περιοδικά το φίλτρο καυσίμου. Για να ελέγξετε το φίλτρο καυσίμου, ακολουθήστε τα παρακάτω βήματα.

- (1) Αφαιρέστε το καπάκι του ρεζερβουάρ καυσίμου και αποστραγγίστε το καύσιμο για να αδειάσετε το ρεζερβουάρ. Ελέγξτε το εσωτερικό του ρεζερβουάρ για τυχόν ξένα υλικά. Εάν υπάρχουν, αφαιρέστε τα.
- (2) Χρησιμοποιήστε ένα συρματένιο άγκιστρο και τραβήξτε έξω την κεφαλή αναρρόφησης μέσα από το άνοιγμα του ρεζερβουάρ.
- (3) Εάν το φίλτρο καυσίμου έχει βουλώσει ελαφρώς, καθαρίστε το. Για να το καθαρίσετε, ανακινήστε το μαλακά και χτυπήστε το ελαφρά στο καύσιμο. Για την αποφυγή ζημιάς, μην το πιέσετε ή το τρίψετε. Το καύσιμο που χρησιμοποιείται για τον καθαρισμό πρέπει να απορρίπτεται σύμφωνα με τη μέθοδο που καθορίζεται από τους κανονισμούς της χώρας σας. Εάν το φίλτρο καυσίμου έχει σκληρύνει ή βουλώσει πολύ, αντικαταστήστε το.
- (4) Μετά τον έλεγχο, τον καθαρισμό ή την αντικατάσταση, πιέστε το φίλτρο καυσίμου μέχρι τέρμα στο κάτω μέρος του ρεζερβουάρ καυσίμου.

Το βουλωμένο ή φθαρμένο φίλτρο καυσίμου μπορεί να προκαλέσει ανεπαρκή τροφοδοσία καυσίμου και να μειώσει την ισχύ του κινητήρα. Αντικαταστήστε το φίλτρο καυσίμου τουλάχιστον κάθε τρεις μήνες για να εξασφαλίσετε την ικανοποιητική τροφοδοσία καυσίμου στο καρμπυρατέρ.

## Αντικατάσταση του σωλήνα καυσίμου

### ΠΡΟΣΟΧΗ: ΟΙ ΕΥΦΛΕΚΤΕΣ ΟΥΣΙΕΣ ΑΠΑΓΟΡΕΥΟΝΤΑΙ ΑΥΣΤΗΡΩΣ

Ελέγχετε και καθαρίζετε το σωλήνα καυσίμου καθημερινά ή κάθε 10 ώρες λειτουργίας.

Αντικαταστήστε το σωλήνα καυσίμου κάθε 200 ώρες λειτουργίας ή κάθε χρόνο ανεξαρτήτως της συχνότητας λειτουργίας. Διαφορετικά, η διαρροή καυσίμου μπορεί να οδηγήσει στην πυρκαγιά.

Εάν ανιχνεύσετε την οποιαδήποτε διαρροή κατά την επιθεώρηση, αντικαταστήστε αμέσως το σωλήνα καυσίμου.

## ΕΠΙΘΕΩΡΗΣΗ ΜΠΟΥΛΟΝΙΩΝ, ΠΑΞΙΜΑΔΙΩΝ ΚΑΙ ΒΙΔΩΝ

- Σφίξτε ξανά τα χαλαρά μπουλόνια, παξιμάδια κτλ.
- Ελέγξτε για την περίπτωση διαρροής καυσίμου και λαδιού.
- Αντικαταστήστε τα φθαρμένα εξαρτήματα με καινούργια για μια ασφαλή λειτουργία.

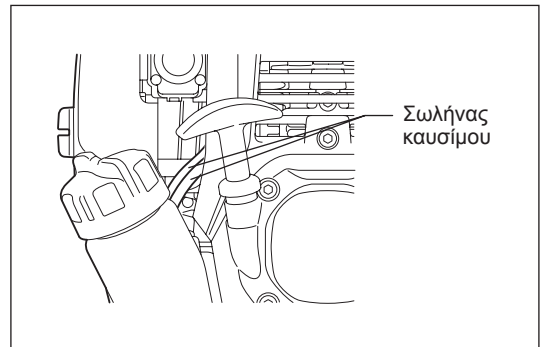
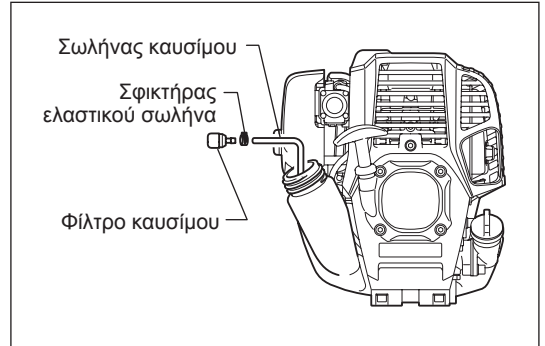
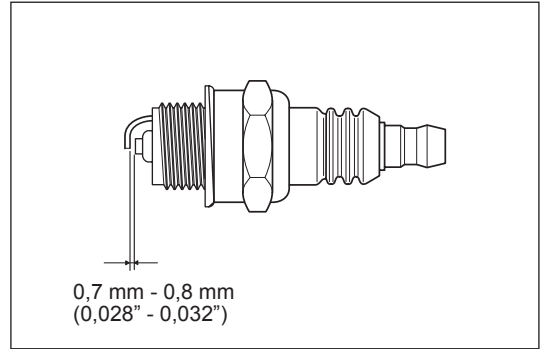
## ΚΑΘΑΡΙΣΜΟΣ ΕΞΑΡΤΗΜΑΤΩΝ

- Διατηρείτε τον κινητήρα καθαρό καθαρίζοντάς τον με ένα πανί.
- Καθαρίστε τα πτερύγια του κυλίνδρου από σκόνη ή βρωμιά. Η κολλημένη σκόνη ή βρωμιά στα πτερύγια θα προκαλέσει το σφηνώμα του πιστονιού.

## ΑΝΤΙΚΑΤΑΣΤΑΣΗ ΦΛΑΝΤΖΩΝ ΚΑΙ ΣΤΟΙΧΕΙΩΝ ΣΥΝΑΡΜΟΛΟΓΗΣΗΣ

Αντικαταστήστε τις φλάντζες και τα στοιχεία συναρμολόγησης εάν έχει αποσυναρμολογηθεί ο κινητήρας.

Για την οποιαδήποτε συντήρηση ή ρύθμιση που δεν περιγράφεται σε αυτό το εγχειρίδιο, επικοινωνήστε με το τοπικό εξουσιοδοτημένο κέντρο εξυπηρέτησης της DOLMAR.



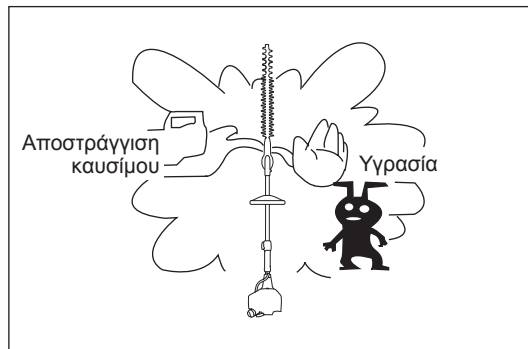
## ΑΠΟΘΗΚΕΥΣΗ

**ΠΡΟΕΙΔΟΠΟΙΗΣΗ:** Κατά την αποστράγγιση του καυσίμου, σταματήστε τον κινητήρα και περιμένετε να κρυώσει ο κινητήρας.

Σε αντίθετη περίπτωση, μπορεί να προκληθούν φλόγες ή πυρκαγιά.

**ΠΡΟΣΟΧΗ:** Όταν αποθηκεύετε το μηχάνημα για μεγάλο χρονικό διάστημα, αποστραγγίστε όλο το καύσιμο από το ρεζερβουάρ καυσίμου και το καρμπυρατέρ και στη συνέχεια, φυλάξτε το σε ένα ξηρό και καθαρό μέρος.

- Αποστραγγίστε το καύσιμο από το ρεζερβουάρ καυσίμου και το καρμπυρατέρ σύμφωνα με την παρακάτω διαδικασία:
- 1) Αφαιρέστε το καπάκι του ρεζερβουάρ καυσίμου και αποστραγγίστε εντελώς το καύσιμο.  
Εάν υπάρχει το οποιοδήποτε ξένο σώμα μέσα στο ρεζερβουάρ καυσίμου, αφαιρέστε το εντελώς.
- 2) Τραβήξτε έξω το φίλτρο καυσίμου από την τρύπα ανεφοδιασμού χρησιμοποιώντας ένα σύρμα.
- 3) Σπρώξτε την αντλία προέγχυσης έως ότου αποστραγγιστεί το καύσιμο από εκεί, και το αποστραγγισμένο καύσιμο να μπει μέσα στο ρεζερβουάρ καυσίμου.
- 4) Επανατοποθετήστε το φίλτρο στο ρεζερβουάρ καυσίμου και σφίξτε καλά το καπάκι του ρεζερβουάρ καυσίμου.
- 5) Κατόπιν, συνεχίστε να λειτουργείτε τον κινητήρα έως ότου σταματήσει.
- Αφαιρέστε το μπουζί και ρίξτε αρκετές σταγόνες λαδιού κινητήρα μέσα στην τρύπα του μπουζί.
- Τραβήξτε με προσοχή το χερούλι του εκκινητήρα έτσι ώστε το λάδι του κινητήρα να απλωθεί πάνω από τον κινητήρα και συνδέστε το μπουζί.
- Τοποθετήστε το κάλυμμα στις λάμες κοπής.
- Σε γενικές γραμμές, αποθηκεύστε το μηχάνημα σε οριζόντια θέση. Εάν αυτό δεν είναι δυνατόν, τοποθετήστε το μηχάνημα έτσι ώστε η μονάδα του κινητήρα να βρίσκεται κάτω από το κοπτικό εργαλείο. Διαφορετικά το λάδι του κινητήρα μπορεί να διαρρεύσει από το εσωτερικό.
- Πάντοτε να δίνετε προσοχή στην αποθήκευση του μηχανήματος σε ένα ασφαλές μέρος για να αποτραπεί η ζημιά στο μηχάνημα και ο προσωπικός τραυματισμός.
- Διατηρήστε το αποστραγγισμένο καύσιμο μέσα σε ένα ειδικό δοχείο σε ένα καλά αεριζόμενο χώρο υπό σκιά.



**Προσοχή μετά από μια παρατεταμένη αποθήκευση**

- Πριν την εκκίνηση μετά από ένα παρατεταμένο διάστημα διακοπής, φροντίστε να αντικαταστήσετε το λάδι (ανατρέξτε στη Σ 212). Το λάδι θα αλλοιωθεί κατά το διάστημα στο οποίο το μηχάνημα δεν βρίσκεται σε λειτουργία.

Χρόνος λειτουργίας	Στοιχείο	Πριν τη λειτουργία	Καθημερινά (10 ώρες)	25 ώρες	50 ώρες	200 ώρες	Παύση/σβήσιμο	Αντίστοιχη σελίδα
	Λάδι κινητήρα	Επιθεώρηση/καθαρισμός	○					203
		Αντικατάσταση					○*1	212
	Σφίξιμο εξαρτημάτων (μπουλόνι, παξιμάδι)	Επιθεώρηση	○					214
	Ρεζερβουάρ καυσίμου	Καθάρισμα/επιθεώρηση	○					-
		Αποστράγγιση καυσίμου					○*3	215
	Μοχλός γκαζιού	Έλεγχος λειτουργίας	○					205
	Διακόπτης διακοπής	Έλεγχος λειτουργίας	○					205, 207
	Λάμες κοπής	Επιθεώρηση	○	○				205, 210
	Περιστροφή χαμηλής ταχύτητας	Έλεγχος/ρύθμιση		○				207
	Φίλτρο αέρα	Καθαρίστε		○				213
	Μπουζί	Επιθεώρηση		○				214
	Ψυκτικός αεραγωγός	Καθάρισμα/επιθεώρηση		○				214
	Σωλήνας καυσίμου	Επιθεώρηση		○				214
		Αντικατάσταση					⊙*2	-
	Γράσο κιβωτίου ταχυτήτων	Ανεφοδιασμός		○				211
	Φίλτρο καυσίμου	Καθαρισμός/αντικατάσταση			○			214
	Διάκενο μεταξύ της βαλβίδας εισαγωγής και της βαλβίδας εκκένωσης	Ρυθμίστε					⊙*2	-
	Λεπτομερής επιθεώρηση κινητήρα						⊙*2	-
	Καρμπυρατέρ	Αποστράγγιση καυσίμου					○*3	215

\*1 Εκτελέστε την αρχική αντικατάσταση μετά από 20 ώρες λειτουργίας.

\*2 Για την επιθεώρηση των 200 ωρών, απευθυνθείτε σε ένα εξουσιοδοτημένο αντιπρόσωπο του σέρβις ή σε ένα συνεργείο.

\*3 Μετά το άδειασμα του ρεζερβουάρ καυσίμου, συνεχίστε τη λειτουργία του κινητήρα για την αποστράγγιση του καυσίμου στο καρμπυρατέρ.



## ΕΠΙΛΥΣΗ ΠΡΟΒΛΗΜΑΤΩΝ

Πριν ζητήσετε βοήθεια για επισκευές, ελέγξτε το πρόβλημα μόνοι σας. Εάν βρεθεί κάποια ανωμαλία, χειριστείτε το μηχανήμα σας σύμφωνα με τα όσα περιγράφονται σε αυτό το εγχειρίδιο. Ποτέ μην προσπαθήσετε να αποσυναρμολογήσετε το οποιοδήποτε εξάρτημα ενάντια σε όσα περιγράφονται. Για επισκευές, ελάτε σε επαφή με τον εξουσιοδοτημένο αντιπρόσωπο του σέρβις ή την τοπική αντιπροσωπεία.

Κατάσταση προβλήματος	Πιθανή αιτία (δυσλειτουργία)	Αποκατάσταση
Ο κινητήρας δεν ξεκινά	Αστοχία λειτουργίας της αντλίας προέγχυσης	Σπρώξτε 7 με 10 φορές.
	Χαμηλή ταχύτητα τραβήγματος του κορδονιού του εκκινήτηρα	Τραβήξτε πιο δυνατά
	Έλλειψη καυσίμου	Προσθέστε καύσιμο
	Βουλωμένο φίλτρο καυσίμου	Καθαρίστε
	Λυγισμένος σωλήνας καυσίμου	Ισιώστε το σωλήνα καυσίμου
	Αλλοιωμένο καύσιμο	Το αλλοιωμένο καύσιμο καθιστά την εκκίνηση πιο δύσκολη. Αντικαταστήστε με ένα καινούργιο. (Συνιστώμενη αντικατάσταση: 1 μήνας)
	Υπερβολική αναρρόφηση καυσίμου	Τοποθετήστε το μοχλό του γκαζιού από την ενδιάμεση ταχύτητα στην υψηλή ταχύτητα και τραβήξτε το χερούλι του εκκινήτηρα έως ότου να ξεκινήσει ο κινητήρας. <b>Όταν ξεκινήσει ο κινητήρας, οι λάμες κοπής αρχίζουν να περιστρέφονται. Δώστε μεγάλη προσοχή στις λάμες κοπής.</b> Εάν ο κινητήρας δεν ξεκινά ακόμη, αφαιρέστε το μπουζί, στεγνώστε το ηλεκτρόδιο, και επανατοποθετήστε τα στην αρχική τους θέση. Στη συνέχεια, ξεκινήστε όπως έχει καθοριστεί προηγουμένως.
	Αποσυνδεδεμένο καπάκι του μπουζί	Συνδέστε το καλά
	Ρυπαρό μπουζί	Καθαρίστε
	Μη φυσιολογικό διάκενο του μπουζί	Ρυθμίστε το διάκενο
	Άλλη ανωμαλία του μπουζί	Αντικατάσταση
	Μη φυσιολογικό καρμπυρατέρ	Ζητήστε την επιθεώρηση και συντήρηση.
	Το κορδόνι του εκκινήτηρα δεν μπορεί να τραβηχτεί	Ζητήστε την επιθεώρηση και συντήρηση.
Μη φυσιολογικό σύστημα μετάδοσης	Ζητήστε την επιθεώρηση και συντήρηση.	
Ο κινητήρας σταματά γρήγορα Η ταχύτητα του κινητήρα δεν αυξάνεται	Ανεπαρκές ζέσταμα	Εκτελέστε την λειτουργία προθέρμανσης
	Ο μοχλός του τσοκ είναι τοποθετημένος στο "H" παρότι έχει ζεσταθεί ο κινητήρας.	Τοποθετήστε στο "H"
	Βουλωμένο φίλτρο καυσίμου	Καθαρισμός ή αντικατάσταση
	Ρυπαρό ή βουλωμένο φίλτρο καυσίμου	Καθαρίστε
	Μη φυσιολογικό καρμπυρατέρ	Ζητήστε την επιθεώρηση και συντήρηση.
Η λάμα κοπής δεν κινείται	Μη φυσιολογικό σύστημα μετάδοσης	Ζητήστε την επιθεώρηση και συντήρηση.
	Ακατάλληλη γωνία της μονάδας κόφτη	Βεβαιωθείτε ότι η κλειδαριά της γωνίας κουμπώνει σωστά.
	Ξεσφιγμένη λάμα κοπής-παξιμάδι σύσφιξης	Σφίξτε καλά
	Πιασμένα κλαδιά στις λάμες κοπής.	Αφαιρέστε τα ξένα σώματα
Σταματήστε τον κινητήρα αμέσως	Μη φυσιολογικό σύστημα μετάδοσης	Ζητήστε την επιθεώρηση και συντήρηση.
Η κύρια μονάδα υφίσταται ανώμαλη δόνηση	Σπασμένες, λυγισμένες ή φθαρμένες λάμες κοπής	Αντικαταστήστε τις λάμες κοπής
	Ξεσφιγμένη λάμα κοπής-παξιμάδι σύσφιξης	Σφίξτε καλά
	Μη φυσιολογικό σύστημα μετάδοσης	Ζητήστε την επιθεώρηση και συντήρηση.
Οι λάμες κοπής δεν σταματούν αμέσως	Υψηλή περιστροφή του ρελαντί	Ρυθμίστε
	Αποσυνδεδεμένο καλώδιο γκαζιού	Συνδέστε το καλά
	Μη φυσιολογικό σύστημα μετάδοσης	Ζητήστε την επιθεώρηση και συντήρηση.
Ο κινητήρας δεν σταματά	Αποκολλημένος συνδετήρας	Συνδέστε το καλά
	Μη φυσιολογικό ηλεκτρικό σύστημα	Ζητήστε την επιθεώρηση και συντήρηση.

Όταν ο κινητήρας δεν ξεκινά μετά τη λειτουργία προθέρμανσης:

Εάν δεν υπάρχει καμιά ανωμαλία στα σημεία ελέγχου, ανοίξτε το γκάζι περίπου στο 1/3 και ξεκινήστε τον κινητήρα.

## Türkçe

(Orijinal talimatlar)

DOLMAR uzun çit budamayı tercih ettiğiniz için çok teşekkür ederiz. Kapsamlı bir geliştirme programının ve uzun yıllara dayanan bilgi ve birikimin sonucu doğan bu ürünü sizlere sunmaktan dolayı gurur duyuyoruz.

DOLMAR uzun çit budamanızdan mümkün olan en iyi sonuçları güvenli bir şekilde elde etmek için, lütfen makineyi kullanmaya başlamadan önce DOLMAR uzun çit budamanın doğru şekilde çalıştırıldığından emin olmak üzere, bu kılavuzu dikkatli bir şekilde okuyun ve burada verilen tüm talimatları takip edin.



## İçindekiler

## Sayfa

Simgeler .....	218
Güvenlik talimatları .....	219
Teknik veriler.....	224
Parçaların gösterimi.....	225
Montaj.....	226
Omuz askisi (opsiyonel aksesuar).....	226
Kullanılabilir yakıtlar/yakit doldurma.....	227
Motor çalıştırılmadan önceki önlemler .....	229
Uzun çit budamanın çalıştırılması .....	232
Bakım.....	234
Saklama.....	239
Sorun giderme .....	241

## SİMGELER

Bu kullanım kılavuzunu okurken karşılaştığınız simgeler aşağıda açıklanmıştır.

	UYARI/TEHLİKE		Sıkışmamaya dikkat edin
	Kullanmaya başlamadan önce, bu kılavuzdaki talimatları dikkatlice okuyun ve bütünüyle anladığınızdan emin olun		Elektrik hatlarına karşı dikkatli olun, elektrik çarpması riski
	YASAK		Yakıt (Benzin)
	Sigara içmek yasaktır		Motorun manüel çalıştırılması
	Çıplak alev yasak		Acil durdurma
	Koruyucu ayakkabı giyin		İlk yardım
	Koruyucu eldiven takın		AÇIK/ÇALIŞIYOR
	İş olmayan insanları ve evcil hayvanları çalışma alanından uzaklaştırın		KAPALI/DURUYOR
	15 m (50 ft) uzaklıkta çalışın		
	Koruyucu baret, gözlük ve kulaklık kullanın		

## GÜVENLİK TALİMATLARI

### Genel Talimatlar

- Kullanmaya başlamadan önce, bu kılavuzu dikkatlice okuyun ve uzun çit budamanın doğru kullanımını iyice öğrenin. **BU MAKİNE, YANLIŞ KULLANILMASI DURUMUNDA CİDDİ YARALANMALAR YOL AÇABİLİR!**
- Uzun çit budamayı başka birine ödünç verirken, daima makinenin güvenli kullanımına ilişkin talimatları hatırlatın. Kullanım kılavuzunun da uzun çit budamayla birlikte verildiğinden emin olun.
- Uzun çit budamayı ilk defa kullanacaklar, makinenin doğru kullanımı hakkında temel talimatlar için satıcılarına danışmalılardır.
- Gerektiğinde hızlı bir şekilde başvurulabilmesi için, bu kılavuzu kolay ulaşılabilecek bir yerde saklayın.
- 18 yaşından küçük kişilerin uzun çit budamayı kullanmasına izin vermeyin. Ancak, 16 yaşından büyükler bu uzun çit budamayı makinenin çalıştırılmasını bilen bir yetişkinin nezaretinde eğitim amacıyla çalıştırabilirler.
- Uzun çit budamayı daima büyük bir dikkat ve özenle kullanın.
- Makine üzerinde kesinlikle değişiklik yapmaya çalışmayın.
- Ülkenizde uzun çit budama kullanımı konusunda yürürlükte olan yönetmeliklere uyun.
- Uzun çit budamanın aşağıda sıralanan koşullarda kullanılması, ciddi yaralanmalara yol açabilir. Çit budamayı şu hallerde kullanmayın:
  - Kendinizi yorgun veya hasta hissediyorsanız.
  - Alkol ve/veya ilaç aldıktan sonra.
  - Gece veya aydınlatma koşullarının zayıf olduğu koşullarda.
  - Hamileyken.

### Kullanım amacı

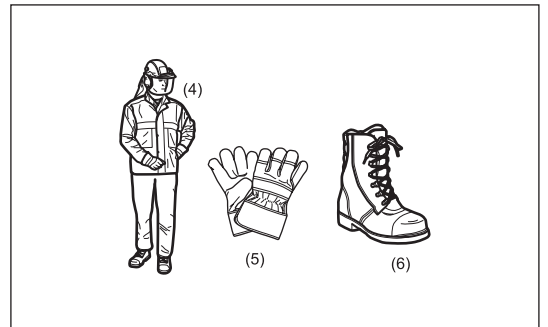
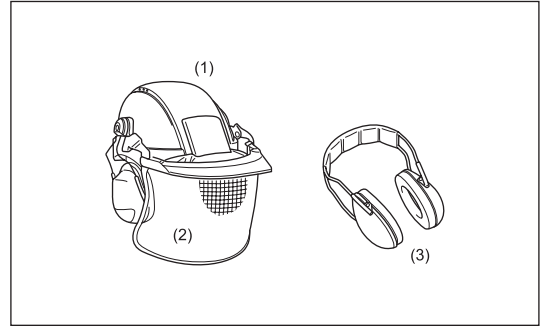
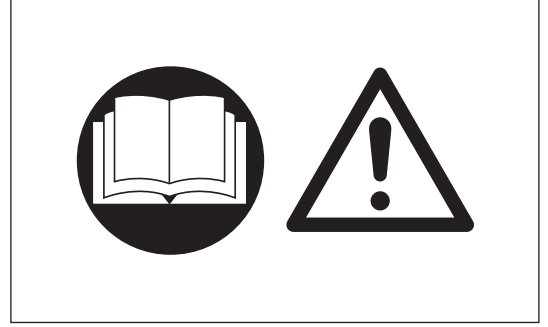
- Bu uzun çit budama yalnızca çitler ve çalılıarın budanması amacıyla tasarlanmıştır. Uzun çit budamayı kesinlikle başka amaçlarla kullanmayın.

### Kişisel koruyucu ekipmanlar

- Çalışma sırasında giyilen kıyafetler mutlaka işlevsel ve dar olmalı, ancak hareket kabiliyetini kısıtlamamalıdır. Çalılara veya makineye takılabilecek bol kıyafetler giymeyin veya takılar takmayın.
- Kafa, göz, ayak, el ve kulak yaralanmalarına karşı yeterli koruma için, uzun çit budamayla çalışırken aşağıda belirtilen koruyucu ekipmanları ve kıyafetleri kullanın.
- Kafa veya göz yaralanmalarını önlemek için, koruyucu gözlük veya siper (2) içeren bir koruyucu baret (1) takın.
- Duyma bozukluklarını önlemek için, daima uygun kulak koruyucular (3) kullanın.
- Vücutu iyice saran iş önlüklerinin (4) giyilmesi önerilir.
- Uzun çit budamayı çalıştırırken daima sağlam, deri çalışma eldiveni (5) takın.
- Uzun çit budamayı kullanırken, daima altı kaymayan sağlam ayakkabılar (6) giyin. Özel iş ayakkabıları, yere sağlam basmanızı sağlar ve yaralanmalara karşı sizi korur.
- Bıçaklara veya bıçak ünitesine dokunmadan önce koruyucu eldiven takın. Bıçaklar, çıplak olması halinde ellerinizi ciddi şekilde kesebilir.

### Çalışma alanı güvenliği

- **⚠ TEHLİKE:** Uzun çit budamayı elektrik hatlarından ve haberleşme kablolarından uzak tutun. Yüksek gerilim hatlarına uzun çit budamayla dokunulması veya yaklaşılması ciddi yaralanmalara ve hatta ölüme neden olabilir. Çalışmaya başlamadan önce, çalışma alanı etrafındaki güç hatlarına ve elektrikli çitlere dikkat edin.
- Motoru yalnızca dışarıda, iyi havalandırılan bir alanda çalıştırın. Motorun sıkışık veya iyi havalandırılmayan bir alanda çalıştırılması, boğulma veya karbon monoksit zehirlenmesi neticesi ölümlere yol açabilir.
- Çalışma sırasında etraftaki kişileri, özellikle de çocukları ve hayvanları uzun çit budamadan en az 15 m uzakta tutun. Birisi yakınınıza yaklaştığında motoru derhal durdurun.
- Çalışmaya başlamadan önce çalışma alanında çitler, taşlar ve benzeri sert nesnelere olup olmadığını kontrol edin. Aksi takdirde, bıçaklar hasar görebilir.
- **⚠ UYARI:** Bu ürünün kullanımı sonucu, solunum hastalıklarına veya diğer hastalıklara neden olabilecek kimyasal maddeler içeren tozlar meydana gelebilir. Böcek ilaçları, gübreler ve zararlı bitki zehirlerinde bulunan bileşikler bu tür maddelere örnek olarak verilebilir. Maruziyetlerden kaynaklanan riskler, bu tip işleri ne sıklıkla yaptığınıza bağlı olarak değişir. Bu kimyasal maddelere maruziyetinizi azaltmak için: iyi havalandırılan bir ortamda çalışın ve mikroskobik partiküllerin tutulması için özel olarak tasarlanmış toz maskeleri vb. gibi kişisel koruyucu ekipmanlar kullanın.



## Uzun çit budamanın çalıştırılması

- Makineyi monte etmeye veya ayarlamaya başlamadan önce, motoru kapalı konuma getirin ve buji kapağını çıkartın.
- Uzun çit budamayı çalıştırmadan önce, daima makinenin güvenli ve çalışır durumda olduğundan emin olun.
- Makine hasarlıysa kesinlikle motoru çalıştırmayı denemeyin.
- Kısmi mandalı güvenlik mekanizmasının çalışmasını kontrol edin. Kilit açma mandalı mutlaka sorunsuz ve kolay çalışmalıdır. Kilit açma mandalının işlevini doğru şekilde yerine getirdiğinden emin olun. Kolların temiz ve kuru olduğunu kontrol edin ve doğru şekilde çalıştığından emin olmak için Durdurma düğmesini test edin.

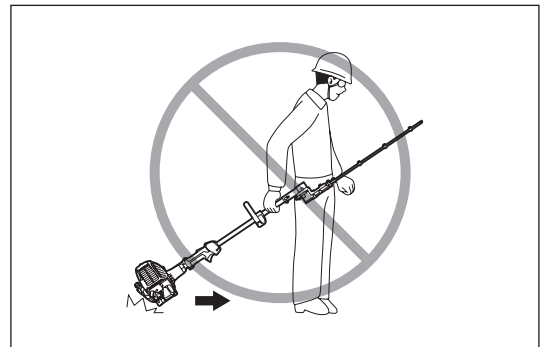
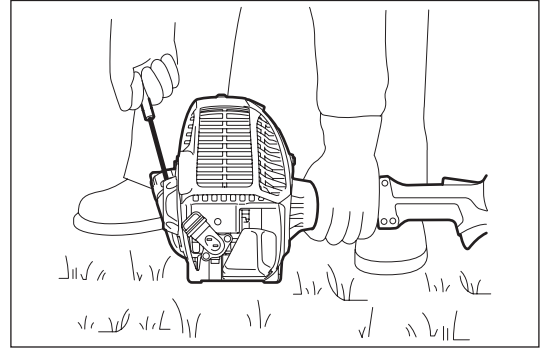
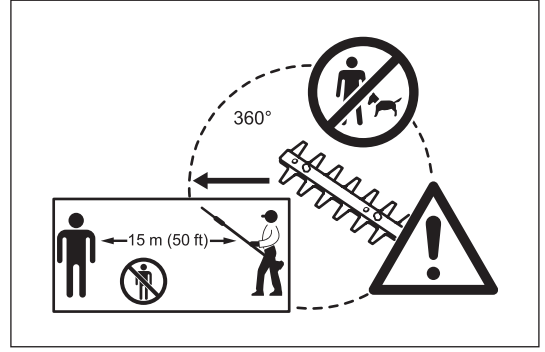
Uzun çit budamayı daima bu kullanım kılavuzunda verilen talimatlara uygun şekilde çalıştırın.

## Uzun çit budamayı çalıştırmak için aşağıdaki talimatları takip edin

- Uzun çit budamayı yalnızca makine doğru şekilde monte edildikten ve gerekli tüm aksesuarları yerine takıldıktan sonra çalıştırın.
- Motoru çalıştırırken, bıçakları vücudunuzdan ve zemin de dahil diğer nesnelere uzakta tutun. Bıçaklar, ilk çalıştırma sırasında hareket edebilir ve ciddi yaralanmalara, bıçak hasarlarına ve/veya diğer maddi hasarlara neden olabilir.
- Motoru çalıştırmadan önce, kesici bıçakların dal, taş vs. gibi herhangi bir yabancı maddeyle temas etmediğinden emin olun.
- Motor sorunları ortaya çıkarsa, motoru derhal durdurun.
- Marş kolunu çekerken, makineyi sol ayağınızla zemine sağlam şekilde bastırın. Kesinlikle tahrik şaftı üzerine basmayın.
- Bıçaklar rölantide hareket ediyorsa, motoru durdurun ve rölanti hızını düşürün.
- Uzun çit budamayı çalıştırırken, daima her iki koldan sağlam şekilde kavrayın. Parmaklarınızı her bir kol etrafına kenetleyin ve kolu baş parmağınızla işaret parmağınız arasına oturtun. Uzun çit budamayı sürekli kontrol altında tutmak için, çalışma esnasında ellerinizin konumunu değiştirmekten kaçının. Kontrol kollarının iyi durumda olduğundan ve nem, çamur, yağ veya gres içermediğinden emin olun.

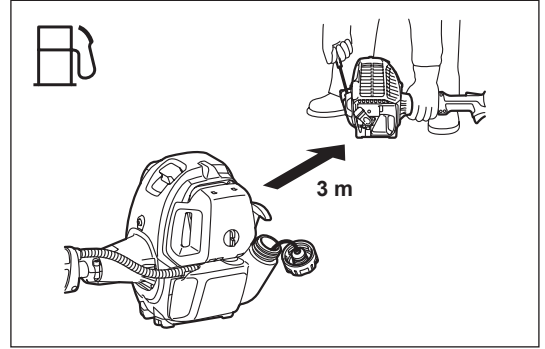
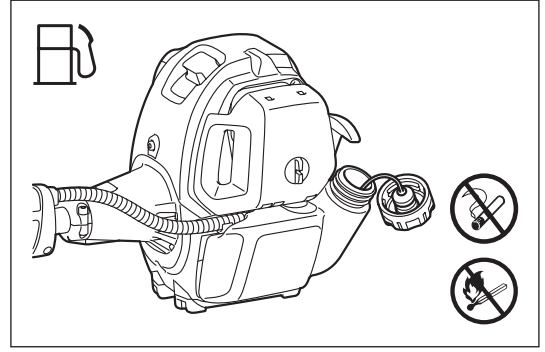
## Yere her zaman sağlam ve dengeli basın

- Motor sorunları ortaya çıkarsa veya makine anormal sesler çıkartarak çalışmaya başlarsa, motoru derhal durdurun ve çalışmayı kesin.
- Egzoz dumanları zehirlidir. Makineyi kesinlikle kapalı bir odada veya havalandırmasız bir tünelde kullanmayın (boğulma ve gaz zehirlenmesi riski). Karbon monoksitinin kokusuz bir gaz olduğuna dikkat edin. Motor çalışırken çalışma alanının daima iyi havalandırıldığından emin olun.
- Dinlenirken veya uzun çit budamanın başından ayrılmadan önce motoru durdurun. Makineyi güvenli bir konuma yerleştirin ve yakınlarda tutuşabilir malzemeler bulunmadığından emin olun.
- Sıcak bir uzun çit budamayı kesinlikle kuru otların veya tutuşabilir malzemelerin üzerine bırakmayın.
- Yangın riskini azaltmak için, motoru ve susturucuyu artıklardan, yapraklardan ve aşırı yağdan temizleyin.
- Susturucu arızalıysa, makineyi kesinlikle çalıştırmayın.
- Taşımadan önce motoru kapatın.
- Aşağıdaki durumlarda motoru mutlaka durdurun:
  - Dinlenirken
  - Makineyi taşıırken
  - Makineyi temizlerken
  - Makineye yakıt doldururken
  - Makine üzerinde bakım gerçekleştirirken
  - Makinedeki bir sorunu çözerken
- Makineyi mutlaka şaftından tutarak yatay konumda taşıyın. Sıcak susturucuyu vücudunuzdan uzakta tutun.
- Makineyi bir araç içerisinde taşıırken, daima uzun çit budamayı artık yakıt kaçağına yol açmayacak şekilde güvenli bir konumda taşıyın.
- Uzun çit budamayı bir araç içerisinde taşımadan önce yakıt deposunu mutlaka boşaltın.
- Makineyi araçtan indirirken, uzun çit budamayı yere düşürmemeye özellikle dikkat edin; aksi takdirde yakıt deposu ciddi şekilde hasar görebilir.
- Acil durumlar dışında, uzun çit budamayı kesinlikle elinizden atmayın; aksi takdirde, makine ciddi şekilde hasar görebilir.
- Uzun çit budamayı çalıştırırken, daima makineyi yerden belirli bir yükseklikte tutun. Makineyi kesinlikle yerde sürüklemeyin, aksi takdirde yakıt deposu hasar görebilir ve hatta yangın çıkabilir.
- Uzun çit budamanın kesici bölümünün nakliye ve koruma sırasında korunması ve sabitlemesi için verilen kesici kapağını mutlaka kullanın.
- Makine ağır bir darbe alırsa veya düşerse, çalışmaya devam etmeden önce durumunu kontrol edin. Yakıt kaçağı olup olmadığını tespit etmek için yakıt sistemini ve arıza olup olmadığını tespit etmek için kontrol ve güvenlik cihazlarını kontrol edin. Herhangi bir hasar veya şüphelendiğiniz bir durum varsa, yetkili servis merkezimize kontrol ve onarım talebinde bulunun.



## Yakıt Doldurma

- Yakıt doldurmaya başlamadan önce, motoru durdurun.
- Çıplak alevlerin yakınında kesinlikle yakıt doldurmayın.
- Yakıt doldururken kesinlikle sigara içmeyin.
- Yakıt doldurmaya başlamadan önce motorun soğuması için yeterince bekleyin.
- Cildinize petrol ürünleri temas etmemesine özellikle dikkat edin. Yakıt doldururken benzin buharını solmayın ve daima koruyucu eldiven takın. Koruyucu ekipman ve kıyafetlerinizi düzenli aralıklarla değiştirin ve temizleyin.
- Toprağın kirlenmesini önlemek (çevre koruması) için, benzin ve yağ dökülmelerine karşı özellikle dikkat edin. Uzun çit budama üzerine benzin veya yağ dökülürse, derhal uzun çit budamanın yüzeyini bir bez parçasıyla temizleyin. Aniden alev almaması için uygun, kapalı bir çöp kutusuna atmadan önce ıslak bez parçalarının tamamen kurumasını bekleyin.
- Kıyafetlerinize yakıt bulaşmadığından emin olun. Yakıtla kirlenen kıyafetlerinizi derhal değiştirin (yangın tehlikesi).
- Yakıt deposunu kapatın ve yakıt deposu kapağını sağlam şekilde sıkın. Motoru yeniden çalıştırmak için, uzun çit budamayı yakıt doldurulan alandan en az 3 metre uzağa taşıyın.
- Güvenli şekilde sıklıkla olduğundan emin olmak için, yakıt deposu kapağını düzenli aralıklarla kontrol edin.
- Makineye kesinlikle kapalı bir ortamda yakıt doldurmayın. Yakıt buharı zemin seviyesinde birikebilir (patlama riski).
- Yakıtı yalnızca uygun kaplarda muhafaza edilen ve depolanan yakıtla çocukların erişemeyeceklerinden emin olun.



## Çalıştırma

- Acil bir durumda, motoru derhal durdurun.
- Çalışma sırasında normal olmayan bir durum (örn. gürültü, titreşim) hissederseniz, motoru derhal durdurun. Bu durumun nedeni bulunup çözülene kadar uzun çit budamayı kullanmayın.
- Kısmi mandalı serbest bırakıldıktan veya motor kapalı konuma getirildikten sonra bıçak kısa bir süre daha hareket etmeye devam edecektir. Bu nedenle, bıçaklara temas etmek için acele etmeyin.
- Makineyi kesinlikle tek elle kullanmaya çalışmayın. Kontrolü kaybetmeniz ciddi ve hatta ölümcül kazalara yol açabilir. Kesik yarası riskini azaltmak için, ellerinizi ve ayaklarınızı bıçaklardan uzak tutun.
- Makineyi çalıştırırken sağ elinizi omuz hizasının altında tutun. Aksi takdirde, kontrolünüzü kaybedebilirsiniz ve yaralanabilirsiniz.
- Çalışma sırasında bıçakları kesinlikle taş veya metal gibi sert nesnelere çarpmayın. Tel çitlerin yakınında veya dibindeki çitleri keserken daha dikkatli olun. Zemine yakın bir şekilde çalışıyorsanız, bıçaklar arasına kum, çakıl veya taş girmediklerinden emin olun.
- Bıçaklar, taş veya diğer sert cisimlerle temas ederse, motoru derhal durdurun ve buji kapağını çıkarttıktan sonra bıçaklarda hasar olup olmadığını kontrol edin. Hasarlıysa, bıçakları değiştirin.
- Hareket halindeki bıçaklara kesinlikle dokunmayın ve yaklaşmayın. Bıçaklar parmağınızı kolayca kesebilir. Bıçağı taşıırken veya bıçağa yaklaşırken, motoru kapalı konuma getirin ve buji kapağını çıkartın.
- Bıçaklar arasına kalın dallar sıkışırsa derhal motoru durdurun, uzun çit budamayı yere bırakın ve ardından buji kapağını veya aküyü çıkarttıktan sonra sıkışan dalları temizleyin. Makineyi tekrar kullanmaya başlamadan önce bıçaklarda hasar olup olmadığını kontrol edin.
- Bıçaklar sıkışmışken motorun hızlandırılması, yükü artırır ve neticesinde motorun ve/veya kavramanın hasar görmesine neden olabilir.
- Çalışma sırasında kesme bıçaklarında çatlak veya körelmiş kenar olup olmadığını sık sık kontrol edin. Kontrol etmeden önce, motoru kapalı konuma getirin ve bıçaklar tamamen duruncaya kadar bekleyin. Çatlaklar yalnızca yüzeysel dahi olsa, hasarlı veya körelmiş bıçakları derhal değiştirin.
- Dişli kutusuna dokunmayın. Dişli kutusu, çalışma sırasında ısınır.
- Yorgunluk nedeniyle kontrolünüzü kaybetmemek için düzenli olarak mola verin. Her saat başı 10 ila 20 dakika mola vermenizi öneririz.
- Kesime başlamadan önce, maksimum hıza ulaşmak için kısma mandalını sonuna kadar çekin.
- Çalışma sırasında uzun çit budamayı daima iki elinizle tutun.
- Uzun çit budamayı yalnızca iyi aydınlatılan ve görüşün açık olduğu yerlerde kullanın. Soğuk mevsimlerde kaygan ve ıslak alanlarda (buzlu ve karlı) çalışırken dikkatli olun (kayma tehlikesi) ve daima yere sağlam basın.
- Uzun çit budamayı kesinlikle sabit olmayan bir yüzey üzerinde veya dik bir eğimde çalıştırmayın.
- Uzun çit budamayı kesinlikle merdiven üzerinde çalıştırmayın.
- Uzun çit budamayı kesinlikle ağaca çıkarak çalıştırmayın.
- Sendelemek veya takılıp düşmemek için, uzun çit budamayı çalıştırırken kesinlikle geri yürümeyin.
- Makine temizlik veya servis işlemlerine başlamadan önce motoru daima durdurun. Ayrıca, motoru durdurmadan kesinlikle parça değiştirmeye çalışmayın.
- Kesici ünite hasar görmüş veya aşınmışsa, uzun çit budamayı kullanmayın.

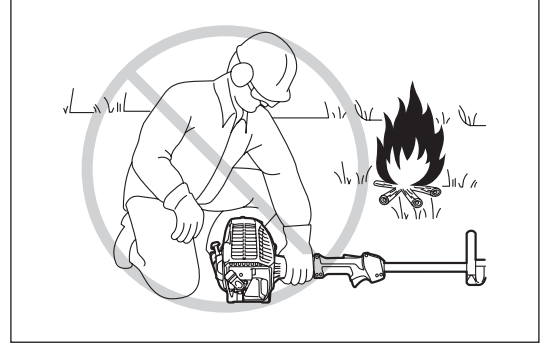


## Titreşim

- Kan dolaşımı zayıf olan kişilerin aşırı titreşime maruz kalması, damarların veya sinir sisteminin zarar görmesine yol açabilir. Titreşim, parmaklarda, ellerde ve bileklerde şu semptomlara neden olabilir: "Uyuşma" (hissizlik), karıncalanma, ağrı, batma hissi, cilt renginin veya cildin değişmesi. Bu semptomlardan herhangi biri ortaya çıkarsa, doktora başvurun!
- "Beyaz parmak hastalığı" riskini düşürmek için, çalışma sırasında ellerinizi sıcak tutun ve makine ve aksesuarlarının bakımını gerektiği şekilde yapın.

## Bakım talimatları

- Makinenizin servisinin mutlaka yetkili servis merkezinde yalnızca orijinal yedek parçalar kullanılarak yapıldığından emin olun. Yanlış onarım ve kötü bakım makinenin ömrünü kısaltabilir ve kaza riskini artırabilir.
- Uzun çit budamayı çalıştırırken, kirletici emisyonları ve gürültü emisyonlarını mümkün olduğunca düşük seviyede tutmaya gayret edin. Karbüratörün doğru ayarlanmasına özellikle dikkat edin.
- Uzun çit budama makinesini düzenli aralıklarla temizleyin ve tüm cıvata ve somunlarının sağlam şekilde sıkılı olduğunu yine düzenli aralıklarla kontrol edin.
- Uzun çit budamayı kesinlikle açık alevlerin, kıvılcımların vb. yakınında servise almayın ve saklamayın.
- Bükülmüş veya kırılmış bıçakları kesinlikle düzleştirerek veya kaynak yaparak onarmaya çalışmayın. Aksi takdirde, bıçak parçaları çıkabilir ve ciddi yaralanmalara neden olabilir. Bu bıçakları orijinal DOLMAR bıçaklarıyla değiştirmesi için DOLMAR yetkili servis merkezine başvurun.
- Daha fazla hasar görmesini ve/veya yaralanmaları önlemek için, bu konuda yetkili değilseniz arızalı bir uzun çit budamayı kesinlikle onarmaya çalışmayın. Onarım için daima satıcınıza veya yetkili bir servis merkezine başvurun.



Çalışma güvenliğini olumsuz etkileyebileceğinden, uzun çit budamayı kesinlikle değiştirmeye veya yeniden modellemeye çalışmayın.

Kullanıcı tarafından gerçekleştirilebilecek bakım çalışmaları, bu kullanım kılavuzunda açıklanan işlemlerle sınırlıdır. Diğer prosedürlerin mutlaka yetkili bir servis merkezi tarafından uygulanması gerekir.

DOLMAR yetkili servis merkezinden uzun çit budamayı düzenli olarak kontrol etmesini ve bakımını yapmasını isteyin.

Yalnızca DOLMAR tarafından yetkili servis merkezleri aracılığıyla tedarik edilen orijinal yedek parçaları ve aksesuarları kullanın.

Önerilmeyen aksesuar ve aletlerin kullanımı, kaza ve yaralanma riskini artırabilir.

DOLMAR, onaylı olmayan aksesuar ve parçaların kullanımından doğabilecek hiçbir kaza veya hasardan dolayı sorumluluk kabul etmez.

## Saklama

- Makineyi depoya kaldırmadan önce, eksiksiz bir temizlik ve bakım çalışması uygulayın. Bıçak kapağını yerine takın.
- Depoya kaldırmadan önce yakıt deposunu boşaltın ve uzun çit budamayı iyi havalandırılan ve kilitli bir odada muhafaza edin. Çocukların uzun çit budamaya erişemeyeceklerinden emin olun.
- Makineyi kesinlikle duvara vb. dayamayın. Aksi takdirde, uzun çit budama aniden düşerek yaralanmalara neden olabilir.

## İlk yardım

Herhangi bir kaza durumuna karşı önlem olarak, daima dolu bir ilk yardım kitini kolay erişilebilecek bir yerde tutun.

İlk yardım kitinden aldıklarınızı en kısa sürede tamamlayın.

## Acil bir durumda yardım isterken, şu bilgileri verin:

- Kazanın yeri
- Ne olduğu
- Yaralı kişi sayısı
- Yaralanma düzeyi
- Adınız



**Yalnızca Avrupa ülkeleri için**

**AT Uygunluk Beyanı**

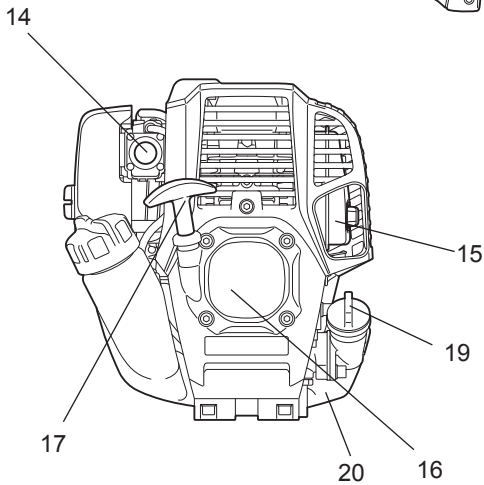
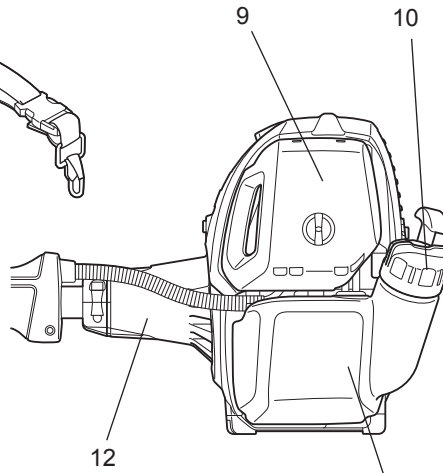
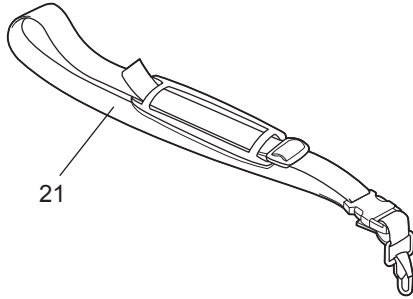
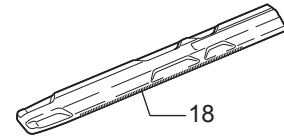
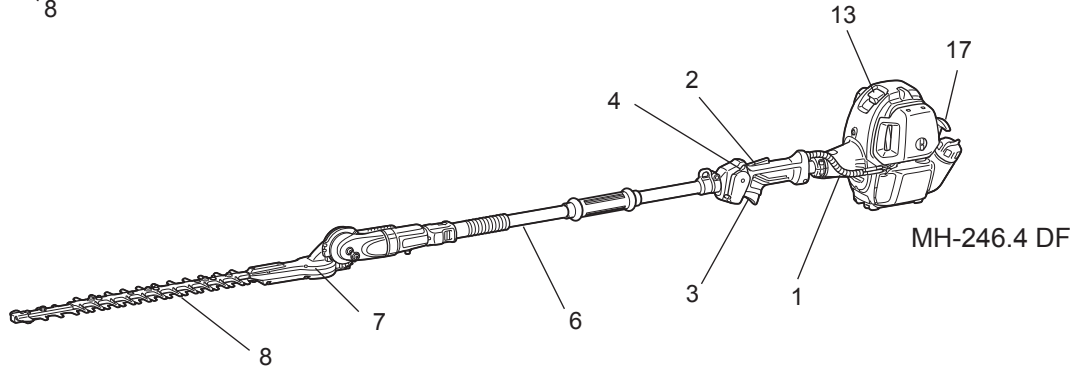
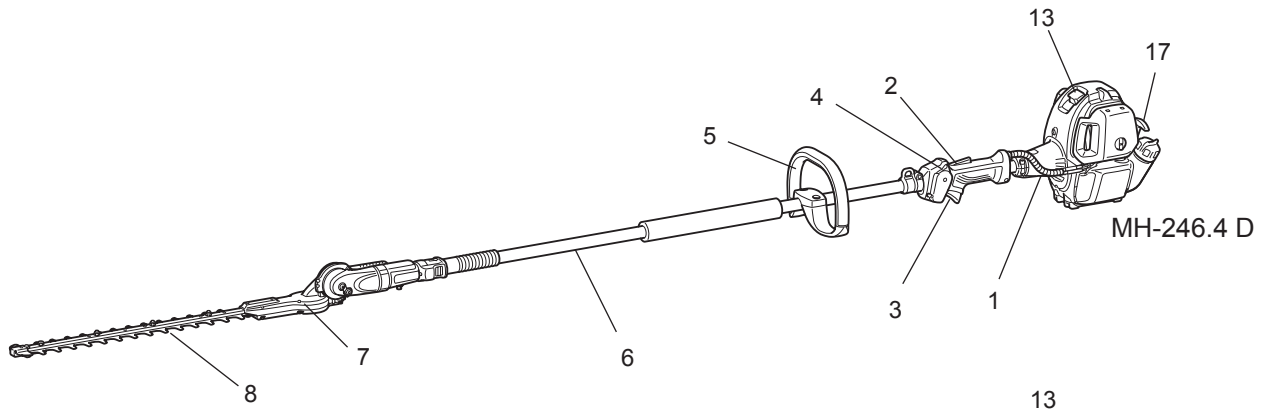
AT uygunluk beyanı bu kullanım kılavuzunun Ek A'sında verilmiştir.

**TEKNİK VERİLER**

Model	MH-246.4 D	MH-246.4 DF	
	Yuvarlak kol	Düz kol	
Boyutlar (U x G x Y)	2.550 mm x 242 mm x 241 mm	2.050 mm x 221 mm x 241 mm	
Net ağırlık	6,9 kg	6,6 kg	
Hacim (yakıt deposu)	0,6 L		
Kesme uzunluğu	490 mm		
Maksimum dal çapı	7 mm		
Kesme stroku	4.200 dak <sup>-1</sup>		
Motor tipi	Hava soğutmalı, 4 zamanlı tek silindirli		
Motor hacmi	25,4 cm <sup>3</sup>		
Maksimum motor performansı	7.000 dak <sup>-1</sup> 'de 0,77 kW		
Önerilen maks. mil devrinde motor devri	10.000 min <sup>-1</sup>		
Yakıt tüketimi	0,33 kg/sa		
Özel yakıt tüketimi	408 g/kWh		
Rölanti devri	3.000 dak <sup>-1</sup>		
Kavrama devri	4.400 dak <sup>-1</sup>		
Karbüratör (Diyafraam karbüratör)	Diyafraam tipi		
Buji tipi	NGK CMR4A		
Elektrot boşluğu	0,7 - 0,8 mm		
	ISO 10517'ye göre titreşim	ISO 10517'ye göre titreşim	
Sağ kol (arka sap)	a <sub>hv eş</sub>	8,5 m/s <sup>2</sup>	7,0 m/s <sup>2</sup>
	Belirsizlik (K)	1,3 m/s <sup>2</sup>	3,1 m/s <sup>2</sup>
Sol kol (ön sap)	a <sub>hv eş</sub>	6,4 m/s <sup>2</sup>	5,1 m/s <sup>2</sup>
	Belirsizlik (K)	2,6 m/s <sup>2</sup>	1,5 m/s <sup>2</sup>
	ISO 10517 uyarınca gürültü	ISO 10517 uyarınca gürültü	
Ses basıncı seviyesi	90 dB (A)	90,2 dB (A)	
Belirsizlik (K)	1,8 dB (A)	1,0 dB (A)	
Ses gücü seviyesi	103,0 dB (A)	104,1 dB (A)	
Belirsizlik (K)	1,0 dB (A)	0,4 dB (A)	
Yakıt	Otomobil yakıtı (benzin)		
Motor yağı	API derecesi SF sınıfı ve üzeri, SAE 10W-30 yağ (4 zamanlı otomobil motoru yağı)		
Dişli oranı	1/4,78		



## PARÇALARIN GÖSTERİMİ



	Parçaların gösterimi
1	Kısma kablosu
2	Kilit açma mandalı
3	Kısma mandalı
4	Durdurma düğmesi
5	Kol
6	Şaft
7	Dişli kutusu
8	Kesici bıçak
9	Hava temizleyici
10	Yakıt deposu kapağı
11	Yakıt deposu
12	Kavrama kutusu
13	Buji kapağı
14	Ana pompa
15	Susturucu
16	Manüel marş
17	Marş kolu
18	Bıçak kapağı
19	Yağ kapağı
20	Yağ deposu
21	Omuz askısı (Opsiyonel aksesuar)

## MONTAJ

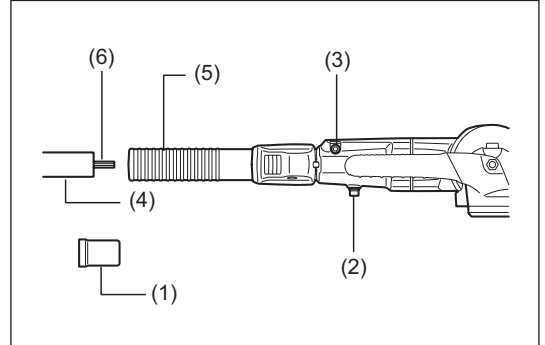
### ⚠ UYARI:

- Uzun çit budamanın kurulumunu gerçekleştirmeden önce, motorun kapalı olduğundan emin olun ve buji kapağını çıkartın.
- Koruyucu eldiven takın!
- Budama ünitesini şafta bağlamadan önce, kesici bıçakları bıçak kapağıyla kapatın.

1. Tapayı (1) şafttan çıkartın.
2. M5 x 16 civatayı (2) ve M5 x 25 civatayı (3) gevşetin.
3. Şaftı (4) kapağa (5) sokun.

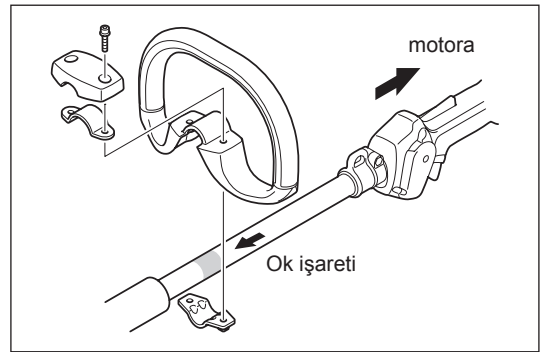
NOT: Şaftın kapağa tamamen (yaklaşık 237 mm/9-3/8") girdiğinden emin olun. Şaftı sokarken zorlanıyorsanız, tahrik aksını (6) manuel olarak bir miktar çevirdikten sonra tekrar deneyin.

4. Şaftın doğru şekilde takıldığından emin olun ve ardından M5 x 16 civatayı ve M5 x 25 civatayı sıkın.



### KOLUN TAKILMASI (MH-246.4 D için)

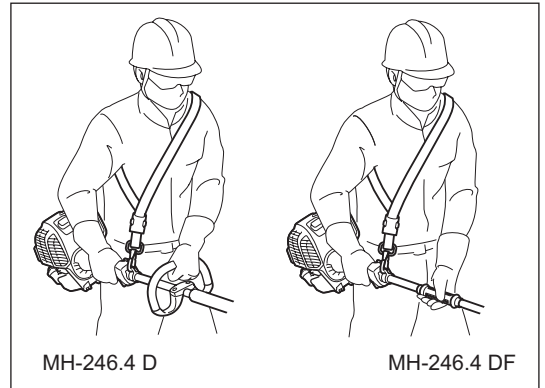
- Yuvarlak kolu gösterildiği gibi şafta takın.
- Saplar arasında uygun bir mesafe bırakmak için, yuvarlak kolu okların ön kısmına getirin.



## OMUZ ASKISI (opsiyonel aksesuar)

### Omuz askısının takılması

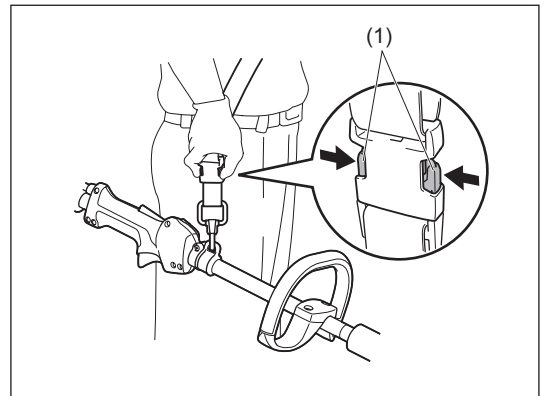
- Omuz askısını sol omzunuzdan geçirin.
- Uzun çit budama ünitesini vücudunuzun sağ tarafında tutun.
- Askıyı uzun çit budama üzerindeki kancaya geçirin ve askı uzunluğunu konforlu bir çalışma konumu elde edecek şekilde ayarlayın.



### Makinenin çıkartılması

- Acil bir durumda her iki taraftaki tırnaklara (1) bastırarak makineyi üzerinizden çıkartabilirsiniz.
- Bu sırada makinenin kontrolünü kaybetmemek için çok dikkatli olun. Makinenin size veya çevredeki insanlara doğru savrulmasına izin vermeyin.

UYARI: Makinenin tam olarak kontrol edilememesi halinde, ciddi yaralanmalar ve hatta ÖLÜMLÜ kazalar meydana gelebilir.



# KULLANILABİLİR YAKITLAR/YAKIT DOLDURMA

## ÇALIŞMAYA BAŞLAMADAN ÖNCE

### Motor yağının kontrolü ve doldurulması

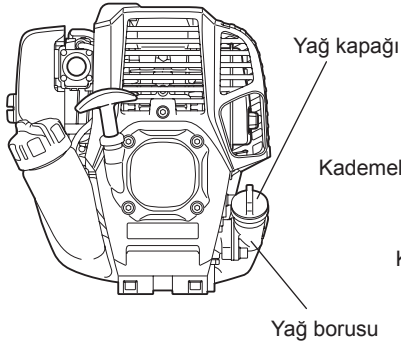
- Aşağıdaki prosedürü motor soğuduktan sonra uygulayın.
- Motoru düz şekilde yerleştirin, yağ kapağını çıkartın (Şekil 1) ve mevcut yağın yağ borusunun üst sınır ile alt sınır çizgileri arasındaki bölgede olup olmadığını kontrol edin (Şekil 2).
- Yağ yetersizse (yağ seviyesi alt sınır çizgisine yakınsa), yağ ilave edin (Şekil 3).
- Dış çizgilerin etrafındaki alan şeffaftır, bu nedenle içerideki yağ miktarı yağ kapağının çıkartılmasına gerek kalmaksızın dışarıdan kontrol edilebilir. Ancak, yağ borusu çok kirlendiğinde görüş kaybolabilir; bu durumda yağ seviyesinin, yağ borusunun içerisindeki kademeli bölümden kontrol edilmesi gerekir.
- Referans olarak, yağ doldurma süresi yaklaşık 10 saat (her 10 yakıt doldurmada bir) olarak düşünülebilir. Yağın rengi değişir veya içerisine pislik karışırsa, yağı tamamen değiştirin. (Yağ değiştirme sıklığı ve yöntemi için, bkz. sayfa 236)

**Önerilen yağ:** API Sınıfı SAE 10W-30, SF Sınıfı ve üzeri (4 zamanlı otomobil motoru)  
**Yağ hacmi:** Yaklaşık 0,08 L

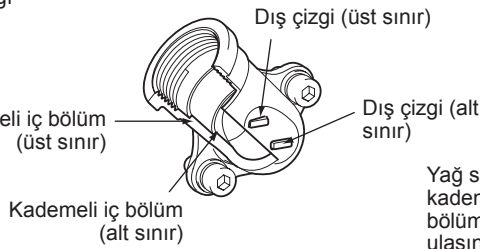
NOT: Motor baş yukarı konumda tutulmazsa, yağ motorun etrafına akabilir ve bu durum, aşırı miktarda yağ doldurulmasına yol açabilir. Yağ, üst sınırın üzerinde doldurulursa, kirlenebilir veya beyaz bir duman çıkartarak yanabilir.

### Yağ değişimiyle ilgili uyarı 1: "Yağ kapağı"

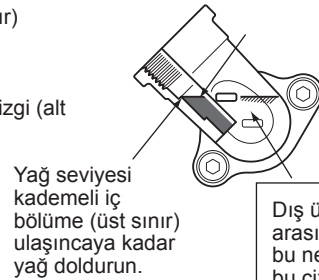
- Yağ doldurma deliğinin etrafındaki tozları ve kirleri temizleyin ve yağ kapağını çıkartın.
- Çıkartılan yağ kapağına kum veya toz bulaşmasına izin vermeyin. Aksi takdirde, yağ kapağına bulaşan kum veya toz düzensiz yağ sirkülasyonuna veya motor parçalarında aşınmaya ve neticesinde arızalara yol açabilir.



Şekil 1



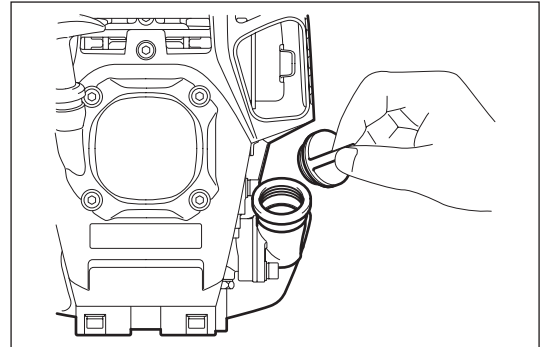
Şekil 2 Yağ borusu



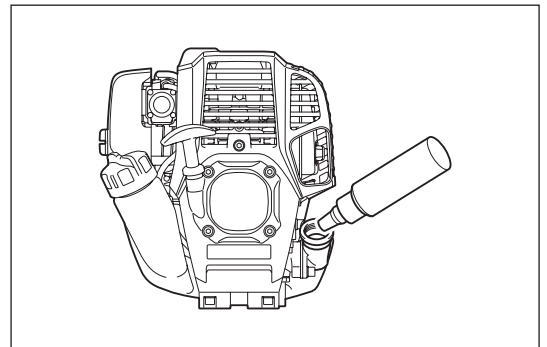
Şekil 3

Dış üst ve alt sınırlar arasındaki alan şeffaftır, bu nedenle yağ seviyesi bu çizgilere bakılarak dışarıdan kontrol edilebilir.

(1) Motoru düz tutun ve yağ kapağını çıkartın.



(2) Üst sınır çizgisine kadar yağ doldurun. (bkz. Şekil 3)  
Yağ doldururken uygun bir yağ kabı kullanın.



(3) Yağ kapağını sağlam şekilde sıkın. Yeterince sıkılmaması, yağ kaçağına neden olabilir.

### Not

- Motordaki yağı yatık bir konumda değiştirmeyin.
- Motor yatık vaziyetteyken yağ doldurulması, aşırı miktarda yağ doldurulmasına ve neticesine yağ kirlenmesine ve/veya çalışma sırasında beyaz duman çıkmasına yol açabilir.

### Yağ değişimiyle ilgili uyarı 2: “Yağ dökülürse”

- Yakıt deposu ile motor ana ünitesi arasında yağ dökülürse yağ, soğutma havası giriş portuna çekilerek motorun kirlenmesine neden olur. Çalıştırmadan önce dökülen yağın temizlendiğinden emin olun.

## YAKIT DOLDURMA

### Yakıtın taşınması

Yakıtın mutlaka çok dikkatli bir şekilde taşınması gerekir. Yakıtlar, çözücülere benzer maddeler içerebilir. Yakıt doldurma işlemi mutlaka yeterince havalandırılan bir odada veya açık havada gerçekleştirilmelidir. Yakıt buharını kesinlikle solumayın ve yakıtı kendinizden uzakta tutun. Yakıtı sürekli veya uzun bir süre temas ederseniz, cildiniz kuruyabilir ve neticesinde cilt hastalıkları veya alerjisi meydana gelebilir. Yakıt gözünüze kaçarsa, gözünüzü temiz suyla yıkayın. Gözünüzdeki tahrişin devam etmesi halinde, doktora başvurun.

### Yakıt saklama süresi

İyi havalandırılan ve doğrudan güneş görmeyen bir yerde özel bir kaptaki yakıtın 4 hafta içerisinde tüketilmesi gerekir. Aksi takdirde, yakıt bir günde bozulabilir.

### MAKİNENİN MUHAFAZASI VE DEPONUN DOLDURULMASI

- Makineyi ve depoyu doğrudan güneş ışığı almayan, serin bir yerde muhafaza edin.
- Kesinlikle yakıtı araç içerisinde tutmayın.

### Yakıt

Makinede dört zamanlı bir motor bulunur. 87 oktan ve üzeri ((R+M)/2) kurşunsuz otomobil benzini kullanıldığından emin olun. Alkol içeriği maksimum %10 (E-10) olmalıdır.

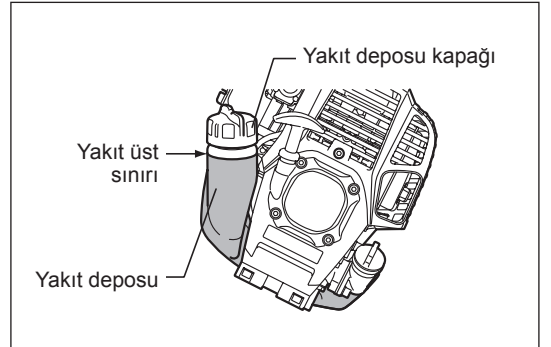
### Yakıtla ilgili uyarılar

- Kesinlikle motor yağı içeren benzin karışımları kullanmayın. Aksi takdirde, aşırı karbon birikimi veya mekanik hasarlar meydana gelebilir.
- Bozulmuş yakıt kullanılması, çalıştırma sorunlarına yol açabilir.

### Yakıt Doldurma

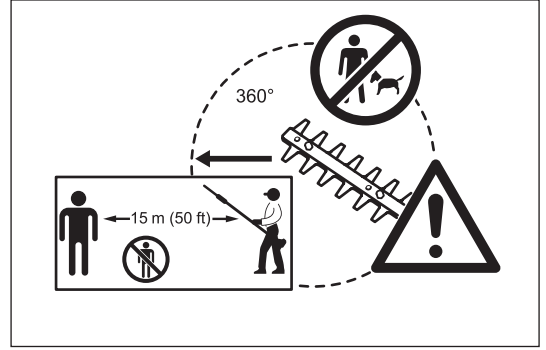
#### UYARI: TUTUŞABİLİR MADDELERİN KULLANILMASI KESİNLİKLE YASAKTIR

- Depo basıncını boşaltmak için depo kapağını bir miktar gevşetin.
  - Depo kapağını çıkartın ve yakıt doldurun. Bu işlem sırasında yakıt doldurma deliği yukarı bakacak şekilde yakıt deposunu eğerek depo içerisinde havanın boşalmasını sağlayın. (Deponun üst noktasına kadar yakıt DOLDURMAYIN.)
  - Yabancı maddelerin yakıt deposuna girmesini önlemek için, depo kapağının çevresini iyice temizleyin.
  - Yakıt doldurduktan sonra, depo kapağını sıkıca kapatın.
- Depo kapağında kusur veya hasar varsa, değiştirin.
  - Depo kapağı zamanla aşınır. Her iki veya üç yılda bir değiştirin.



## MOTOR ÇALIŞTIRILMADAN ÖNCEKİ ÖNLEMLER

- Çalışma alanının etrafında daima 15 metre çapında bir güvenlik alanı oluşturun. Etraftaki tüm insanların (özellikle de çocukların) ve/veya hayvanların bu alan dışında olduğundan emin olun.
- Uzun çit budamayı çalıştırmadan önce, daima makinenin güvenli ve çalışır durumda olduğundan emin olun. Kesici bıçakların hasar görmediğinden emin olun ve kısma mandalının doğru çalıştığını kontrol edin. Motor rölantide çalışırken kesici bıçakların hareket etmediğinden emin olun. Makine normal şekilde çalışmıyorsa, makinenizi ayarlaması için satıcınıza başvurun. Kolların temiz ve kuru olduğundan emin olun ve açma/kapama düğmesinin doğru çalıştığını test edin. Motoru yalnızca bu kılavuzda verilen talimatlara uygun şekilde çalıştırın. Uzun çit budamayı çalıştırmak için kesinlikle başka bir yöntem kullanmayın.
- Uzun çit budama motorunu yalnızca kılavuzu dikkatli şekilde okuduktan ve tamamıyla anladıktan sonra çalıştırın. Tamamen kurulu olmayan bir uzun çit budamayı kesinlikle çalıştırmayın. Aksi takdirde, ciddi yaralanmalar meydana gelebilir.
- Motoru çalıştırmadan önce, kesici bıçakların taş, dal vb. gibi herhangi bir yabancı maddeyle temas etmediğinden emin olun.
- Çalışma alanında kesici bıçaklara yakalanabilecek teller, kablolar, camlar vb. gibi yabancı maddeler bulunmadığını kontrol edin.
- Elektrik çarpması: Yakındaki tüm elektrik hatlarına dikkat edin. Çalışmaya başlamadan önce tüm çalışma alanını kontrol ederek, güç hatları ve elektrikli çitler olmadığından emin olun.



## ÇALIŞTIRMA VE DURDURMAYLA İLGİLİ UYARILAR

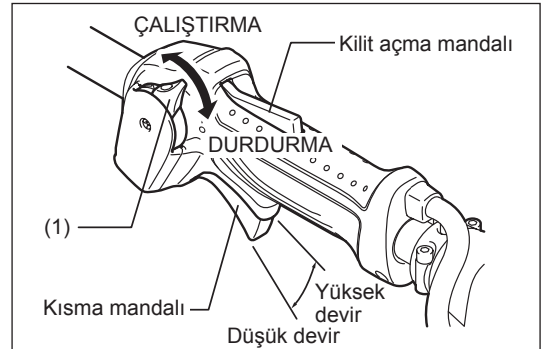
İlgili kaza önleme yönetmeliklerini dikkate alın!

### ÇALIŞTIRMA

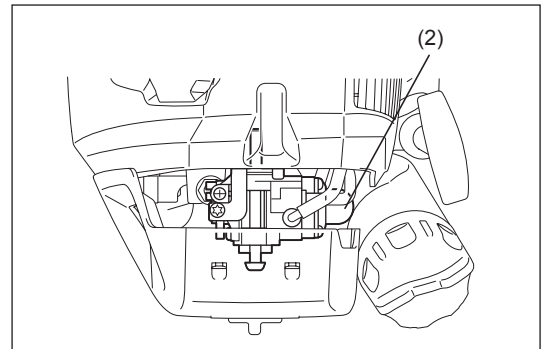
Makineyi yakıt doldurduğunuz yerden en az 3 metre uzağa taşıyın. Uzun çit budamayı temiz bir zemine yerleştirin. Kesici bıçakların zeminle veya diğer nesnelere temas etmediğinden emin olun.

#### A: Soğuk çalıştırma

- 1) Makineyi düz bir zemin üzerine yerleştirin.
- 2) Açma/kapama düğmesini (1) ÇALIŞTIRMA konumuna getirin.



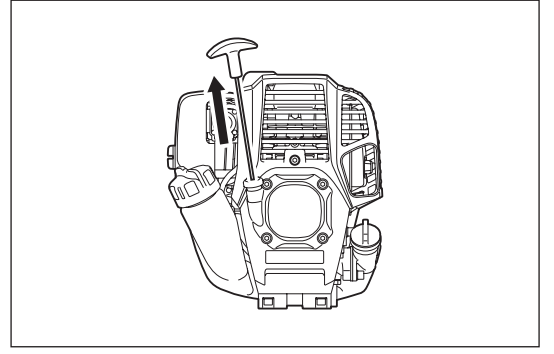
- 3) Ana pompa  
Yakıt ana pompaya (2) girene kadar ana pompaya bastırmaya devam edin. (Genel olarak yakıt, ana pompaya 7 ila 10 defa basıldığında ana pompaya girer.) Ana pompaya çok fazla basılırsa, fazla benzin yakıt deposuna geri döner.



- 4) Manüel marş  
Marş kolunu gerilim hissedilene (sıkışma noktasına) kadar yavaşça çekin. Ardından, marş kolunu bırakın ve bu sefer güçlü bir şekilde çekin. İpi kesinlikle sonuna kadar çekmeyin. Marş kolu çekildikten sonra, marş kolunu hemen bırakmayın. Marş kolu başlangıçtaki konumuna dönene kadar bekleyin.

- 5) Isıtma çalıştırması  
Isıtma çalıştırmasını 2 ila 3 dakika boyunca sürdürün.

NOT: Aşırı yakıt çekilmesi durumunda, bujiyi çıkartın ve fazla yakıtı boşaltmak için marş kolunu yavaşça çekin. Ayrıca, bujinin elektrot bölümünü kurutun.



#### B: Isıtma çalıştırması sonrası başlatma

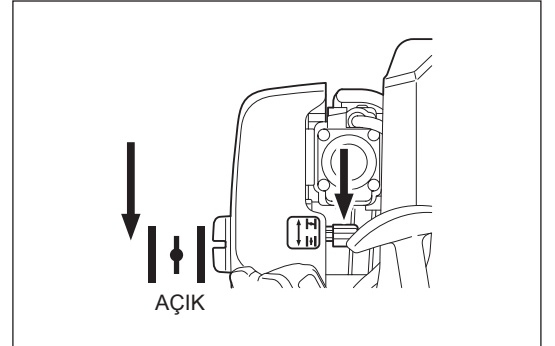
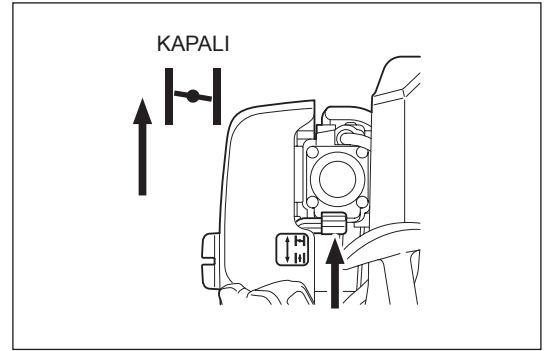
- 1) Ana pompaya yavaşça basmaya devam edin.
- 2) Kısmi mandalını rölantri konumunda tutun.
- 3) Manüel marşı güçlü bir şekilde çekin.
- 4) Motor zor çalışıyorsa, kısma mandalını yaklaşık 1/3 oranında açın. Kesici bıçakların hareket edebileceğine dikkat edin.

**Kış ayları vb. gibi motorun çalıştırılmasının zor olduğu zamanlarda, motoru çalıştırırken jikle kolunu aşağıda açıklandığı şekilde ayarlayın.**

- 1) ila 3) arasındaki işlemleri uyguladıktan sonra, jikle kolunu KAPALI konuma getirin.
- 4) no.lu çalışma adımını uygulayın ve motoru çalıştırın.
- Motor çalıştıktan sonra, jikle kolunu AÇIK konuma getirin.
- 5) no.lu çalışma adımını uygulayın ve motoru çalıştırın.

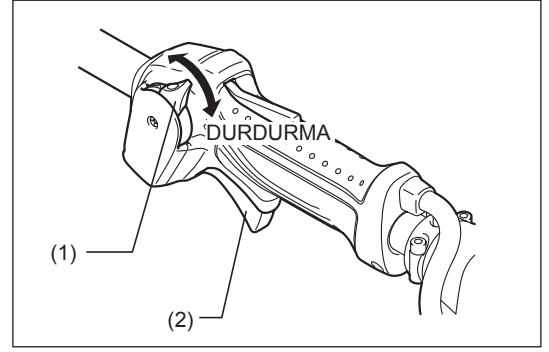
DİKKAT: Bir ses (patlama sesi) duyulur ve motor durursa veya henüz çalışmaya başlayan motor jikle kolu çekilmeden durursa, jikle kolunu tekrar AÇIK konuma getirin ve motoru tekrar çalıştırmak için marş kolunu birkaç defa çekin.

DİKKAT: Jikle kolu KAPALI konumda bırakılırsa ve marş kolu arka arkaya çok fazla çekilirse, çok fazla yakıt emilir ve motorun çalışması zorlaşır.



## DURDURMA

- 1) Kısmi mandalını (2) tam olarak açın ve motor devir değeri düştüğünde açma/kapama düğmesini (1) DURDURMA konumuna getirin; motor derhal duracaktır.
- 2) Kesme başlığının hemen durmayabileceğine dikkat edin ve tamamen yavaşlaması için bekleyin.

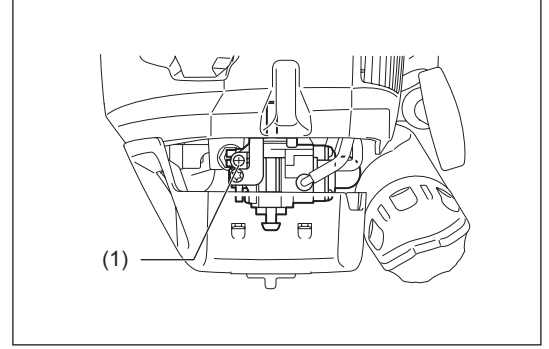


## DÜŞÜK DEVİRLİ DÖNÜŞ (RÖLANTİ) AYARI

Düşük devirli dönüş (rölanti) ayarı yapılması gerekiyorsa, bu işlemi karbüratör ayar vidasıyla (1) gerçekleştirin.

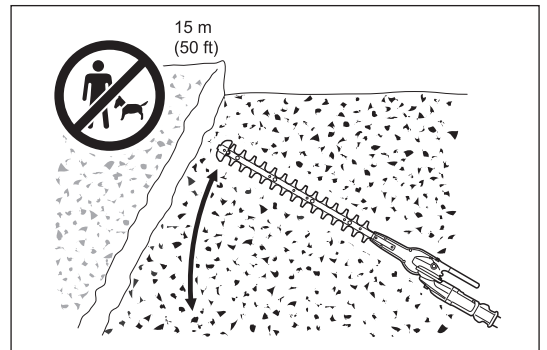
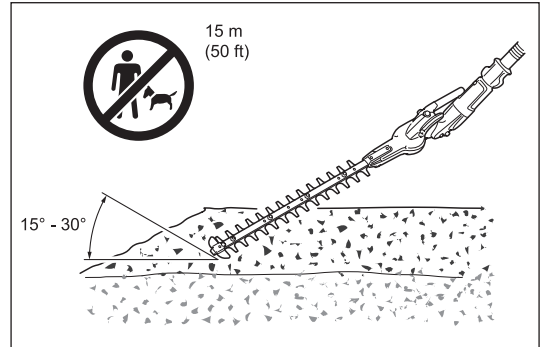
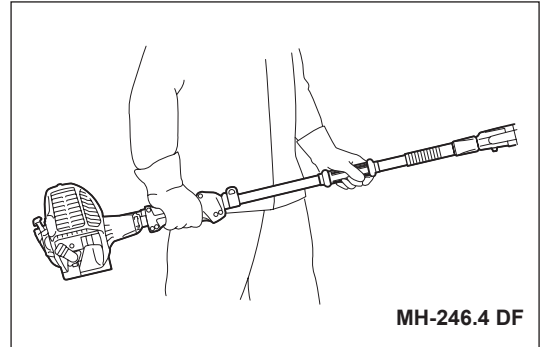
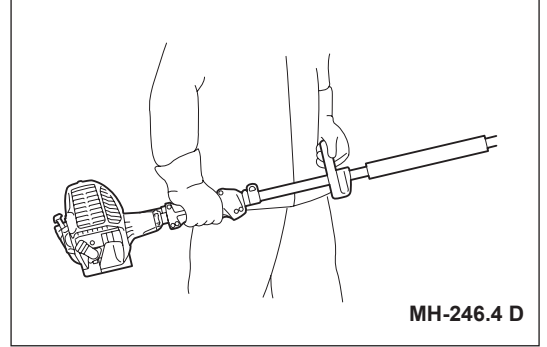
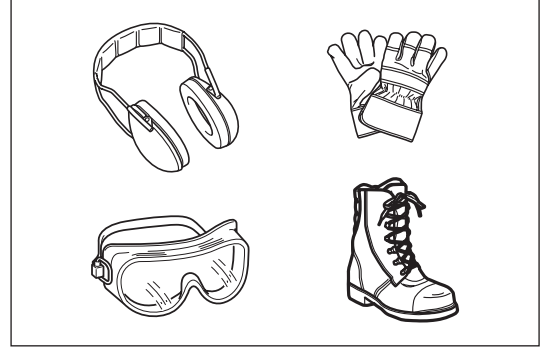
## DÜŞÜK DEVİRLİ DÖNÜŞ KONTROLÜ

- Düşük devirli dönüşü 3.000 dvr/dak (/dak) değerine ayarlayın. Düşük devirli dönüşü değiştirmeniz gerekirse, ayar vidasını (1) bir yıldız uçlu tornavidayla ayarlayın.
- Ayar vidasını sağa çevirdiğinizde, motor devri yükselecektir. Ayar vidasını sola çevirdiğinizde ise motor devri düşecektir.
- Karbüratör genellikle fabrika çıkışında ayarlanır. Yeniden ayarlanması gerekiyorsa, lütfen Yetkili Servis Merkezine danışın.



## UZUN ÇİT BUDAMANIN ÇALIŞTIRILMASI

- Çalıştırma sırasında veya motor çalışırken uzun çit budamanın kesici bıçak bölümüne dokunmayın.
- Uzun çit budamayla çalışırken, egzoz gazlarını solumamaya özellikle dikkat edin. Uzun çit budamayla kesinlikle kapalı bir odada veya yeterli havalandırması olmayan bir alanda kullanmayın (boğulma ve gaz zehirlenmesi riski). Karbon monoksitinin kokusuz bir gaz olduğuna ve bu nedenle koklayarak anlayamayacağına dikkat edin.
- Uzun çit budamayla çalışırken, daima uygun koruyucu kıyafetler giyin.
- Susturucu doğru şekilde çalışmıyorsa motoru derhal durdurun.
- Uzun çit budamayı yalnızca iyi aydınlatılan ve görüşün açık olduğu yerlerde kullanın.
- Uzun çit budamayı karanlıkta veya sisli havalarda çalıştırmayın. Soğuk mevsimlerde kaygan ve ıslak alanlarda (buzlu ve karlı) çalışırken dikkatli olun (kayma tehlikesi) ve daima yere sağlam basın.
- Uzun çit budamayı kesinlikle sabit olmayan bir yüzey üzerinde veya dik bir eğimde çalıştırmayın.
- Uzun çit budamayı kesinlikle merdiven üzerinde çalıştırmayın.
- Uzun çit budamayı kesinlikle ağaca çıkarak çalıştırmayın.
- Çalışma alanında kesici bıçaklara yakalanabilecek teller, kablolar, camlar vb. gibi yabancı maddeler bulunmadığını sürekli olarak kontrol edin.
- Kesime başlamadan önce, kesici bıçakların hızlı döndüğünden emin olun.
- Uzun çit budamayı daima iki elinizle tutun ve çalışırken makineyi sıkıca kavrayın.
- Uzun çit budama üzerinde optimum kontrol sağlamak için, daima ellerinizi kollar etrafına kenetleyin (karşı basınç için baş parmağınızı kullanın) ve kolları sağlam şekilde sıkın.
- Kısmen mandalı serbest bırakıldıktan sonra kesici bıçakların iki saniye daha döneceğine dikkat edin.
- Kesinlikle düşük motor devrilerinde uzun çit budamayla kesim yapmayın.
- Motor düşük devirde çalışırken, kesici bıçakların hızı kısma mandalıyla doğru şekilde ayarlanmaz.
- Bir çitin üst yüzeyini budamak için, öncelikle kesici bıçakları kesme yönünde  $15^{\circ}$  -  $30^{\circ}$  arasında bir açıya ayarlayın ve uzun çit budamayı yatay konumda tutun. Ardından, çit budama şaftıyla daire çizmiş gibi çiti savurma hareketiyle budamaya başlayın.
- Bir çitin kenarlarını budamak için, bıçakları kesilecek yüzeye paralel şekilde ayarlayın ve yukarı (aşağı) doğru yarı dairesel bir hareketle budamaya başlayın.
- Özellikle tel çitlere yakın veya tel çitler önündeki çitleri budarken dikkatli olun.
- Kesici bıçakların tel çit, taş veya zemin gibi sert nesnelere temas etmesine izin vermeyin. Aksi takdirde bıçaklar çatlayabilir ve kırılabilir.
- Uzun çit budamayı çok uzun bir süre kullanmayın. Genel bir kura olarak, her 50 dakikada bir 10-20 dakika dinlenin.
- Kesici bıçaklar taş veya diğer sert cisimlerle temas ederse, motoru derhal durdurun ve bıçaklarda hasar olup olmadığını kontrol edin. Hasarlıysa, bıçakları değiştirin.
- Uzun çit budama çalışma sırasında bir sorun çıkartırsa (normal olmayan sesler, titreşimler vb.), derhal motoru durdurun. Sorun tespit edilip çözülene kadar makineyi tekrar kullanmayın.
- Uzun çit budamayı çalıştırırken, kirlenici emisyonları ve gürültü emisyonlarını mümkün olduğunca düşük seviyede tutmaya gayret edin. Karbüratörün doğru ayarlanmasına özellikle dikkat edin.
- Kesici bıçaklara kalın dallar takılırsa, derhal motoru durdurun, makineyi düz bir zemin üzerine bırakın ve tıkanıklığı giderin. Makineyi tekrar kullanmaya başlamadan önce bıçaklarda hasar olup olmadığını kontrol edin.





## Kesim açısının ayarlanması

### Uyarı:

- Kesici ünite gevşek veya oynuyorsa, makineyi çalıştırmayın.

Kesim açısını yukarı doğru 45°'ye ve aşağı doğru 90°'ye kadar ayarlayabilirsiniz.

1. Uzun çit budama motorunu durdurun ve makineyi yere bırakın.
2. Kesici ünitesinin açısını ayarlamak için, kesici ünitesi üzerindeki kolu (A) bir elinizle sabit tutarken, şekilde gösterildiği gibi diğer elinizle açılı kilidini (B) tutun.
3. Açılı kilidini hafifçe çekin ve kesici ünitesinin açısını değiştirin. Açıyı ayarladıktan sonra, açılı kilidini yavaşça başlangıçtaki konumuna getirin.

### Not:

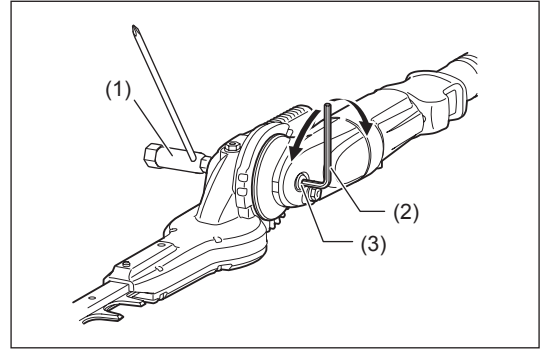
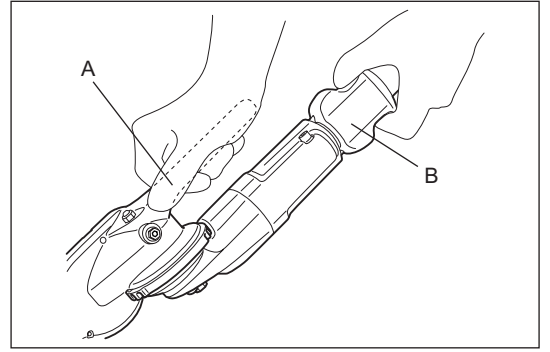
- Kesici ünitesi, ünite üzerindeki yuvalar boyunca yalnızca belirli açılarda sıkılabilir. Kesici ünitesinin tam olarak oturduğundan emin olun. Açılı doğru değilse, kavrama kesilir ve makine çalışmaz.
- Uzun çit budama baş yukarı konumdayken, kesici ünitesini ayarlamayın.
- Açma/kapama düğmesini "O" konumuna getirin ve kesim açısını ayarlamak üzere uzun çit budamayı düz bir şekilde yere bırakın.
- Kesim açısını ayarlamaya başlamadan önce, bıçakları mutlaka ürünle verilen bıçak kapağıyla sabitleyin.

Kesici ünitesi gevşekse, civatanın (açı ayar eksenini) sıkılması gerekir.

1. Lokma anahtarını (1) ve Alyan anahtarını (2) civataya (3) yerleştirin.
2. Alyan anahtarını çevirerek kesici ünitesinin sıkılığını ayarlayın ve ardından lokma anahtarını çevirerek civatayı sıkın.

### Not:

- Kesici ünitesini çok fazla sıkmayın. Çok sıkı olursa, kesici ünitesinin açısı değiştirilemez.



## BAKIM

- Uzun çit budama üzerinde herhangi bir bakım çalışması (bıçak temizliği vb.) gerçekleştirmeden önce, motoru durdurun ve motor soğuyana kadar bekleyin. İlave bir güvenlik önlemi olarak, buji kapağını da çıkartın.
- Bükülmüş veya kırılmış kesici bıçakları düzeltmeye veya kaynak yapmaya çalışmayın. Hasarlı bıçakları daima değiştirin.
- Kesici bıçaklarda olası hasarlar olup olmadığını kontrol etmek üzere, motoru düzenli aralıklarla durdurun (görülmesi zor kılcal çatlakları tespit etmek için tıkkatma-yansıma testi gerçekleştirin). Bıçak dişlerinin daima keskin olduğundan emin olun.
- Uzun çit budamayı düzenli olarak temizleyin. Temizleme sırasında ayrıca tüm vida, somun ve civataların iyi sıkıldığını kontrol edin.
- Yangın riskini düşürmek için, uzun çit budamanın servis işlemlerini kesinlikle açık alevlerin yakınında gerçekleştirmeyin ve uzun çit budamayı bu tür yerlerde saklamayın.
- Kesici bıçakları taşıırken daima dayanıklı koruyucu eldiven takın.
- Yedek kesici bıçaklar için satıcınıza başvurun.
- Temizlik için kesinlikle gazolin, benzin, tiner, alkol veya benzeri bir madde kullanmayın. Aksi takdirde renk bozulması, deformasyon veya çatlaklar meydana gelebilir.

### Bıçağın bilenesi

Kesici bıçaklar körleşir ve kesme performansı zayıflarsa, bıçaklar yetkili bir servis merkezinde biletilmelidir.

### Bıçak boşluğunun ayarlanması

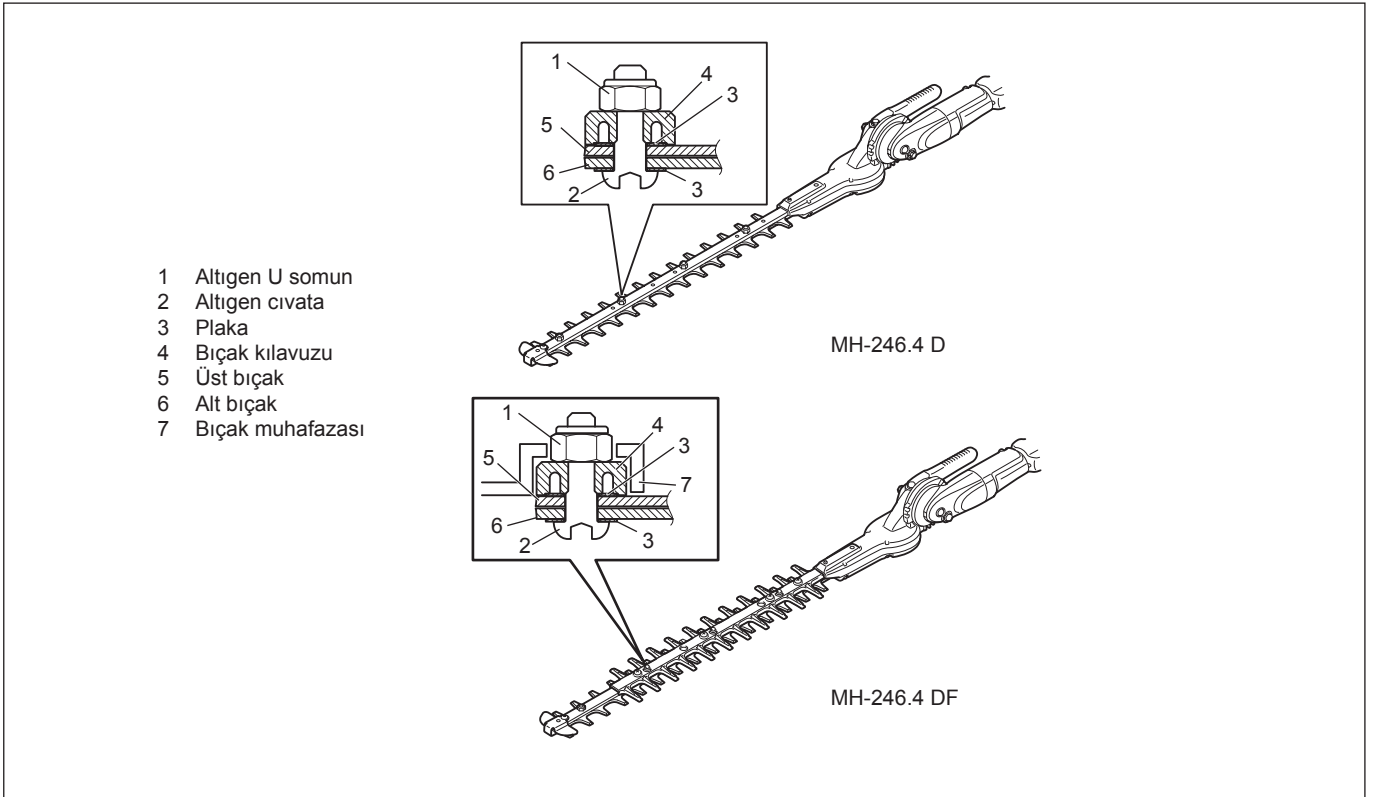
Çalışma gerçekleştirildikçe üst/alt bıçaklar kademeli olarak aşınır. Bıçaklar keskin olmasına rağmen temiz bir kesim yapamıyorsanız, bıçak boşluğunu aşağıda açıklandığı şekilde ayarlayın.

Altıgen civatanın ne kadar sıkıldığı, bıçakların boşluğunu belirler. Somun, altıgen civatayı belirli bir sıkılıkta tutar. Çok boş olması bıçağın körelmesine neden olurken; çok sıkı olması ise bıçakların gereksiz ısınmasına ve normalden önce aşınmasına neden olur.

1. Bir somun anahtarını veya açık uçlu anahtar kullanarak somunu (1) gevşetin.
2. Altıgen civatayı (2) durana kadar bir lokma anahtarıyla hafifçe sıkın. Ardından, gerekli boşluğu elde etmek üzere üç çeyrek tam tur geri gevşetin.
3. Altıgen civatayı (2) tutan somunu (1) sıkın.
4. Bıçakların sürtünme yüzeyini hafifçe yağlayın.
5. Motoru çalıştırın ve kısma mandalını bir dakikalığına önce açık, sonra kapalı konuma getirin.
6. Motoru durdurun ve yüzeye dokununuz. Dokunulamayacak kadar sıcak değilse, ayar yanlış yapılmıştır. Dokunulamayacak kadar sıcaksa, altıgen civatayı (2) bir miktar gevşetin ve 5 ve 6. adımlar arasındaki işlemleri tekrarlayın.

NOT: Herhangi bir ayar yapmadan önce, motoru durdurun ve bıçakların durmasını bekleyin.

Bıçaklarda altıgen civatanın (2) etrafında bir boşluk bulunur. Bu boşluklardan herhangi birinin dibinde toz görürseniz, temizleyin.

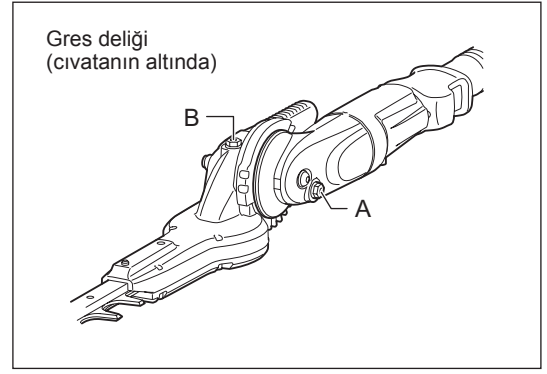


## Gresleme ve yağlama

**Önemli: Yağlama çalışmasına başlamadan önce dişli kutusu yüzeyinin tamamen soğuduğundan emin olun.**

- Uzun çit budamanın dişli kutusu her 25 saatlik çalışma sonrası greslenmelidir. Gres deliği, civatanın altında bulunur. Yağlamak üzere civatayı sökün. Dişli kutusunun A ve B noktalarına gres delikleri üzerinden sırasıyla yaklaşık 3 g (4 cc) ve 5 g (7 cc) yağ uygulayın. Yağlama sonrası civatayı geri yerine takın. Doğru miktarda gres doldurduktan sonra, ilk çalıştırma sırasında bıçağın alt tarafından bir miktar gres çıkacaktır.

**DİKKAT:** Gresleme aralıklarını ve kullanılan gres miktarını takip edin. Doğru aralıklarda greslenmezse veya yanlış miktarda gres kullanılırsa, uzun çit budamanın mekanik parçaları hasar görebilir.



## Günlük kontrol ve bakımlar

Uzun çit budamanızın uzun süre kullanılabilmesi için, aşağıdaki kontrol ve bakım çalışmalarının her gün tekrarlanması gerekir.

- Makineyi kullanmadan önce;
  - Çalışmaya başlamadan önce daima gevşek veya eksik parça olmadığını kontrol edin. Kesici üniteye özellikle dikkat edin ve kesici bıçak kilit vidalarının doğru sıkılıkta olduğundan emin olun.
  - Çalışmaya başlamadan önce, tüpün soğutma havası geçişlerinin ve soğutma kanatlarının tıkalı olmadığını kontrol edin. Gerekirse, temizleyin.
- Makineyi kullandıktan sonra;
  - Uzun çit budamanın dış yüzeyini temizleyin ve hasar olup olmadığını kontrol edin.
  - Hava filtresini temizleyin. Aşırı tozlu bir ortamda çalışıyorsanız filtreyi günde birkaç defa temizleyin.
  - Kesici bıçaklarda hasar olup olmadığını kontrol edin. Bıçakların sağlam şekilde takılı olduğundan emin olun.
  - Ayar yapıldıktan sonra kesici bıçaklar rölantide çalışmaya devam ediyorsa, size en yakın yetkili servis merkezine danışın.

## MOTOR YAĞININ DEĞİŞTİRİLMESİ

Bozulmuş motor yağı kullanılması, kayar ve döner parçaların ömrünü ciddi şekilde kısaltır. Değişirme aralıklarını ve miktarını kontrol ettiğinizden emin olun.



**TEHLİKE:** Genel olarak, motor durduktan hemen sonra motor ana ünitesi ve motor yağı hala sıcaktır. Yağ değiştirilirken, motor ana ünitesinin ve motor yağının yeterince soğuduğundan emin olun. Aksi takdirde, yanık riski ortaya çıkabilir. Yağ seviyesi göstergesinin doğru olarak okunabilmesi için, motoru durdurduktan sonra yağın yağ deposuna dönmesi için yeteri kadar bekleyin.

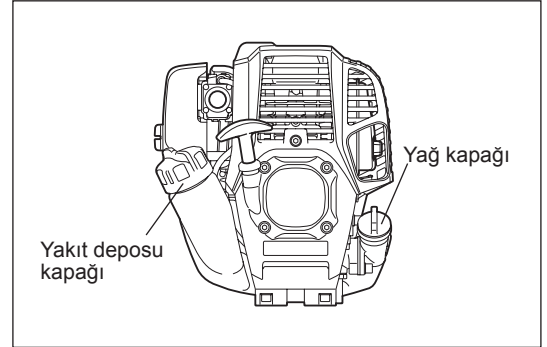
**NOT:** Yağ üst sınırın üzerinde doldurulursa, kirlenebilir veya beyaz bir duman çıkartarak yanabilir.

**Değişirme sıklığı:** İlk 20 saatlik çalıştırma sonrası, her 50 çalışma saatinde bir

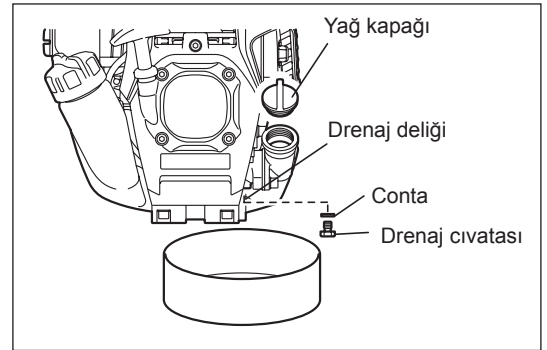
**Önerilen yağ:** API Sınıfı SAE10W-30 yağ, SF Sınıfı ve üzeri (4 zamanlı otomobil motor yağı)

Değiştirirken, aşağıdaki prosedürü takip edin.

- 1) Yakıt deposu kapağının sıkı bir şekilde kapalı olduğunu kontrol edin.
- 2) Drenaj deliğinin altına geniş bir kap (tava vb.) yerleştirin.



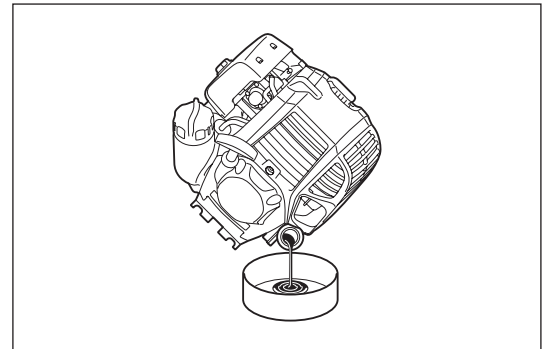
- 3) Drenaj cıvatasını sökün ve ardından yağı drenaj deliğinden boşaltmak için yağ kapağını çıkartın. Bu sırada drenaj cıvatası contasının gevşemediğinden ve sökülün parçaların kirlenmediğinden emin olun.
- 4) Tüm yağ boşaldıktan sonra, contayı ve drenaj cıvatasını takın ve gevşememesi ve yağ kaçaıklarına neden olmaması için drenaj cıvatasını sağlam şekilde sıkın.  
\* Biz bez parçasıyla cıvata ve makineye bulaşmış yağları temizleyin.



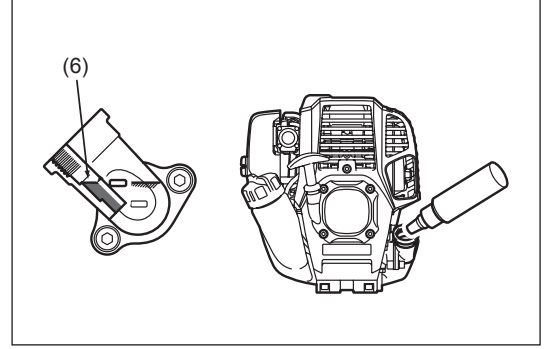
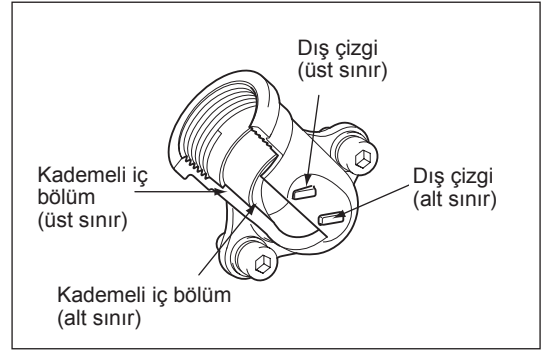
### Alternatif drenaj yöntemi

Yağ kapağını çıkartın, uzun çit budamayı yağ doldurma deliğine doğru yatırın ve yağı boşaltın.

Yağı kapta toplayın.



- 5) Motoru düz şekilde yerleştirin ve üst sınır çizgisine (6) kadar kademeli olarak yeni yağ doldurun.
- 6) Yağı doldurduktan sonra, yağ kapağını gevşemeyecek ve kaçaklara neden olmayacak şekilde sağlamca sıkın. Yağ kapağı sağlam şekilde sıkılmazsa, kaçağa neden olabilir.



#### YAĞLA İLGİLİ UYARILAR

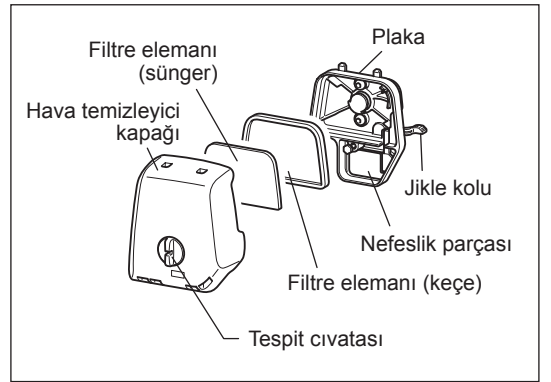
- Boşaltılan motor yağını kesinlikle çöpe, toprağa veya kanalizasyon giderine dökmeyin. Yağın bertarafı ilgili kanunlara uygun şekilde gerçekleştirilmelidir.
- Yağın bertarafı için daima ilgili kanun ve yönetmeliklere uyun. Bilinmeyen hususlarla ilgili olarak daima Yetkili Servis Personeline danışın.
- Kullanılmadan saklansa dahi yağ zamanla bozulur. Yağı düzenli aralıklarla kontrol edin ve değiştirin (her 6 ayda bir yeni yağla değiştirin).

#### Hava temizleyicinin temizlenmesi

##### TEHLİKE: Tutuşabilir maddelerin kullanılması kesinlikle yasaktır

Hava temizleyiciyi her gün veya her 10 saatlik çalışmanın ardından kontrol edin ve temizleyin.

- Jikle kolunu tamamen kapalı konuma çevirin ve karbüratördeki toz ve pislikleri temizleyin.
- Tespit civatasını gevşetin.
- Alt tarafından çekerek hava temizleyici kapağını çıkartın.
- Filtre elemanlarını çıkartın ve hafifçe vurarak içerisindeki pislikleri temizleyin.
- Filtre elemanları ağır şekilde kirlenmişse:  
Filtre elemanlarını çıkartın, sıcak suya veya suyla seyreltilmiş doğal deterjana batırın ve tamamen kurutun. Filtre elemanlarını yıkarken sıkmayın veya ovalamayın.
- Filtre elemanlarını takmadan önce, tamamen kurduğundan emin olun. Filtre elemanlarının yeterli şekilde kurutulmaması, makinenin zor çalışmasına yol açabilir.
- Hava temizleyici kapağının ve nefeslik parçasının etrafına yapışan yağı bir bez parçasıyla temizleyin.
- Filtre elemanını (sünger) diğer filtre elemanına (keçe) takın.  
Filtre elemanlarını sünger, hava temizleyici kapağına bakacak şekilde plakaya yerleştirin.
- Ardından hemen temizleyici kapağını takın ve tespit civatalarıyla sabitleyin. (Geri montaj sırasında önce üst tırnağı ve ardından alt tırnağı takın.)



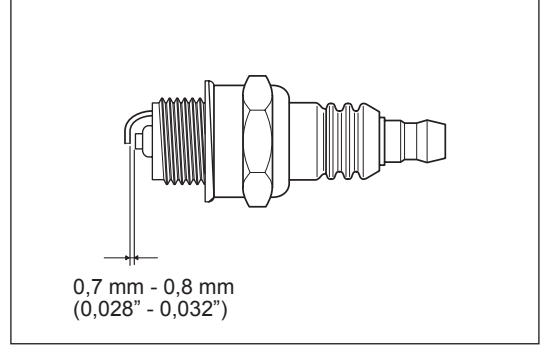
#### İKAZ:

- Aşırı derecede toz yapışıyor, filtre elemanlarını günde birkaç defa temizleyin. Kirli filtre elemanları motor gücünü düşürür ve motorun çalışmasını zorlaştırır.
- Filtre elemanları üzerindeki yağı temizleyin. Filtre elemanlarındaki yağ temizlenmeden çalışmaya devam edilirse, hava temizleyicideki yağ dışarı akabilir ve çevrenin kirlenmesine yol açabilir.
- Filtre elemanlarını yere veya kirli yüzeylere koymayın. Aksi takdirde, filtre elemanlarına kir veya yabancı maddeler yapışabilir ve neticesinde motor hasar görebilir.
- Filtre elemanlarını temizlemek için kesinlikle yakıt kullanmayın. Yakıt, filtre elemanlarına zarar verebilir.

## BUJİNİN KONTROLÜ

- Bujiyi sökmek ve takmak için yalnızca ürünle birlikte verilen standart anahtar kullanın.
- Bujinin iki elektrotu arasındaki boşluk 0,7 ila 0,8 mm (0,028" ila 0,032") olmalıdır. Boşluk çok geniş veya darsa, ayarlayın. Buji tıkanırsa veya kirlenirse, iyice temizleyin veya değiştirin.

**DİKKAT:** Motor çalışırken buji konektörüne kesinlikle dokunmayın (yüksek gerilimde elektrik çarpması tehlikesi).



## Yakıt filtresinin (yakıt deposundaki emiş başlığı) temizlenmesi

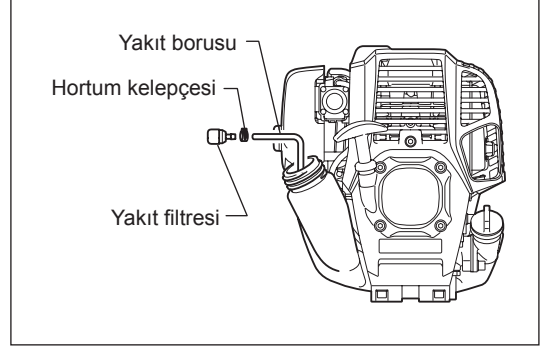
### UYARI: TUTUŞABİLİR MADDELERİN KULLANILMASI KESİNLİKLE YASAKTIR

Yakıt filtresini her ay veya her 50 saatlik çalışmanın ardından kontrol edin ve temizleyin.

Yakıt filtresini düzenli olarak kontrol edin. Yakıt filtresini kontrol etmek için, aşağıdaki adımları takip edin.

- (1) Yakıt deposu kapağını çıkartın ve kalan yakıtı tahliye ederek depoyu boşaltın. Depo içerisinde yabancı madde olmadığını kontrol edin. Varsa, temizleyin.
- (2) Depo açıklığından bir tel kanca sokarak, emiş başlığını çıkartın.
- (3) Yakıt filtresi az miktarda tıkanmışsa, temizleyin. Temizlemek için, yakıt içerisinde hafifçe sallayın ve vurun. Hasar vermemek için, sıkmayın ve ovalamayın. Temizlik sırasında kullanılan yakıt mutlaka ülkenizde geçerli olan kurallara uygun bir yöntemle bertaraf edilmelidir. Yakıt filtresi sertleşmiş veya aşırı tıkanmışsa, değiştirin.
- (4) Kontrol, temizlik veya değiştirme işleminden sonra yakıt filtresini yakıt deposunun tabanına gittiği yere kadar itirin.

Tıkalı veya hasarlı yakıt filtresi, yetersiz yakıt beslenmesine ve motor gücünün düşmesine neden olabilir. Karbüratöre yeterli miktarda yakıt beslemesini sağlamak için, yakıt filtresini en az üç ayda bir değiştirin.

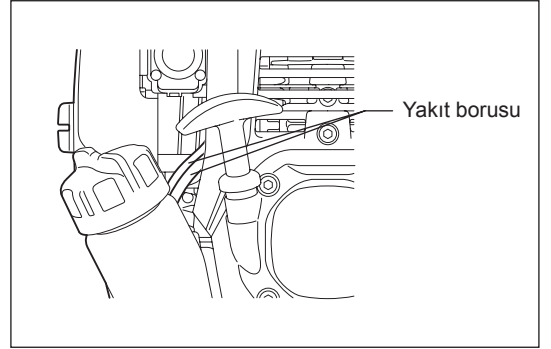


## Yakıt borusunun değiştirilmesi

### DİKKAT: Tutuşabilir maddelerin kullanılması kesinlikle yasaktır

Yakıt borusunu her gün veya her 10 saatlik çalışmanın ardından kontrol edin ve temizleyin.

Yakıt borusunu her 200 saatlik çalışma süresinin sonunda veya çalışma sıklığından bağımsız olarak yılda bir defa değiştirin. Aksi takdirde, yakıt kaçaqları ve dolayısıyla yangın tehlikesi ortaya çıkabilir. Kontroller sırasında herhangi bir kaçak tespit ederseniz, derhal yakıt borusunu değiştirin.



## CIVATA, SOMUN VE VİDALARIN KONTROLÜ

- Gevşek civataları, somunları vb. sıkın.
- Yakıt veya yağ kaçağı olup olmadığını kontrol edin.
- Güvenli çalıştırma için, hasarlı parçaları yenileriyle değiştirin.

## PARÇALARIN TEMİZLENMESİ

- Bir bez parçasıyla sık sık silerek motorun daima temiz kalmasını sağlayın.
- Silindir açıklıklarına kum veya toz bulaşmasına izin vermeyin. Açıklıklara yapışan toz veya kir, pistonun sıkışmasına neden olur.

## CONTA VE SALMASTRALARIN DEĞİŞTİRİLMESİ

Motor sökülmüşse, conta ve salmastraları değiştirin.

Bu kılavuzda açıklanmayan bakım veya ayar işlemleri için size en yakın DOLMAR yetkili servis merkezine danışın.

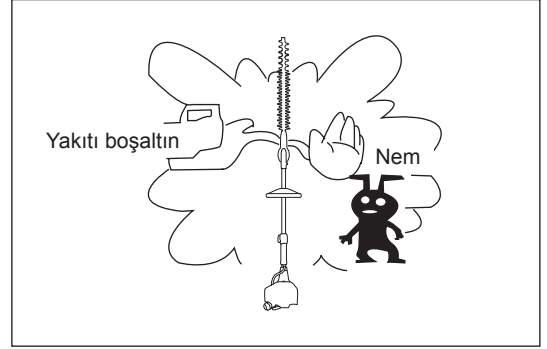
## SAKLAMA

**UYARI:** Yakıtı boşaltırken, motoru durdurun ve motorun tamamen soğumasını bekleyin.

Aksi takdirde, alev alabilir veya yangın çıkabilir.

**DİKKAT:** Makine uzun bir süre çalıştırılmadan saklanacaksa, yakıt deposu ve karbüratördeki yakıtı tamamen boşaltın ve kuru ve temiz bir yerde muhafaza edin.

- Yakıt deposu ve karbüratördeki yakıtı aşağıdaki prosedürü takip ederek boşaltın:
  - 1) Yakıt deposu kapağını çıkartın ve yakıtı tamamen boşaltın.  
Yakıt deposunda yabancı madde kalmışsa, tamamen temizleyin.
  - 2) Yakıt filtresini bir tel yardımıyla doldurma deliğinden çıkartın.
  - 3) Yakıt tamamen boşalana kadar ana pompaya bastırın ve yakıt deposundan çıkan yakıtı bir kaba alın.
  - 4) Filtreyi yakıt deposuna geri takın ve yakıt deposu kapağını sıkıca kapatın.
  - 5) Ardından, motoru durana kadar çalıştırmaya devam edin.
- Bujiyi çıkartın ve birkaç damla motor yağının buji deliğinden damlamasını sağlayın.
- Marş kolunu, motora motor yağı dağılacak şekilde yavaşça çekin ve bujiyi takın.
- Kesici bıçaklara kapağı takın.
- Genel olarak, motoru yatay konumda muhafaza edin. Mümkün değilse, makineyi motor ünitesi, kesici aletin altına gelecek şekilde yerleştirin. Aksi takdirde, içeride motor yağı kaçığı meydana gelebilir.
- Makine hasarlarını ve yaralanmaları önlemek için, makineyi daima güvenli bir yerde muhafaza etmeye dikkat edin.
- Boşaltılan yağı özel bir kap içerisinde, iyi havalandırılan ve doğrudan güneş ışığı almayan bir yerde muhafaza edin.



**Uzun süre depolama sonrası dikkat edilmesi gerekenler**

- Uzun bir süre depoda kaldıktan sonra ilk defa çalıştırmadan önce yağı değiştirdiğinizden emin olun (bkz. sayfa 236). Makinenin çalışmadığı sürede yağ bozulmuştur.

Parça	Çalışma süresi	Çalışma öncesi	Günlük (10 sa)	25 sa	50 sa	200 sa	Kapatma/dinlenme	İlgili sayfa
Motor yağı	Kontrol edin/temizleyin	○						227
	Değiştirin				○*1			236
Parçaları sıkın (cıvata, somun)	Kontrol edin	○						238
Yakıt deposu	Temizleyin/kontrol edin	○						-
	Yakıtı boşaltın						○*3	239
Kısma mandalı	Çalışma kontrolü	○						229
Durdurma düğmesi	Çalışma kontrolü	○						229, 231
Kesici bıçaklar	Kontrol edin	○	○					229, 234
Düşük devirli dönüş	Kontrol edin/ayarlayın		○					231
Hava temizleyici	Temizleyin		○					237
Buji	Kontrol edin		○					238
Soğutucu hava kanalı	Temizleyin/kontrol edin		○					238
Yakıt borusu	Kontrol edin		○					238
	Değiştirin					◎*2		-
Dişli kutusu gresi	Doldurun			○				235
Yakıt filtresi	Temizleyin/değiştirin				○			238
Hava giriş vanası ile hava deşarj vanası arasındaki boşluk	Ayarlayın					◎*2		-
Motor bakımı						◎*2		-
Karbüratör	Yakıtı boşaltın						○*3	239

\*1 İlk değiştirmeyi 20 saatlik çalışma sonrasında gerçekleştirin.

\*2 200 çalışma saati sonrası kontroller için, Yetkili Servis Personeline veya bir makine atölyesine danışın.

\*3 Yakıt deposunu boşalttıktan sonra, motoru çalıştırmaya devam ederek karbüratördeki yakıtın boşalmasını sağlayın.



## SORUN GİDERME

Onarım talebinde bulunmadan, lütfen sorunu önce kendiniz kontrol edin. Herhangi bir anormal durum tespit ettiğinizde, makinenizi bu kılavuzda verilen açıklamalara göre kontrol edin. Hiçbir parçayı açıklamaların aksine bir şekilde değiştirmeyin ve sökmeyin. Onarım için, Yetkili Servis Merkezine veya satıcınıza başvurun.

Anormal durum	Olası nedeni (arıza)	Çözümü
Motor çalışmıyor	Ana pompa çalışmıyordu	7 ila 10 defa basın
	Marş ipini çekme hızınız yavaştır	Güçlü şekilde çekin
	Yakıt azdır	Yakıt doldurun
	Yakıt filtresi tıkanmıştır	Temizleyin
	Yakıt tüpü bükülmüştür	Yakıt tüpünü düzleştirin
	Yakıt kirlenmiştir	Yakıtın kirlenmesi, motorun çalışmasını zorlaştırır. Yenisiyle değiştirin. (Önerilen değiştirme sıklığı: 1 ay)
	Yakıt emişi aşırıdır	Kısma mandalını orta devirden yüksek devire getirin ve motor çalışana kadar marş kolunu çekin. <b>Motor çalışmaya başladığında, kesici bıçaklar dönmeye başlar. Kesici bıçaklara çok dikkat edin.</b> Motor hala çalışmazsa, bujiyi çıkartın, elektrotun kurumasını sağlayın ve bu parçaları tekrar başlangıçtaki gibi geri takın. Ardından, belirtildiği gibi çalıştırmayı deneyin.
	Buji kapağı çıkmıştır	Sağlam şekilde takın
	Buji kirlenmiştir	Temizleyin
	Buji açıklığı normal değildir	Açıklığı ayarlayın
	Bujide başka bir sorun vardır	Değiştirin
	Karbüratör normal çalışmıyordu	Kontrol ve bakım talebinde bulunun.
	Marş ipi çekilemiyor	Kontrol ve bakım talebinde bulunun.
	Tahrik sistemi normal çalışmıyordu	Kontrol ve bakım talebinde bulunun.
Motor hemen duruyor Motor devri yükselmiyor	Isınma yetersizdir	Isınma prosedürünü uygulayın
	Motor ısınmasına rağmen, jikle kolu "H" konumundadır.	"H" konumuna ayarlayın
	Yakıt filtresi tıkanmıştır	Temizleyin veya değiştirin
	Hava temizleyici kirlenmiş veya tıkanmıştır	Temizleyin
	Karbüratör normal çalışmıyordu	Kontrol ve bakım talebinde bulunun.
	Tahrik sistemi normal çalışmıyordu	Kontrol ve bakım talebinde bulunun.
Kesici bıçak hareket etmiyor ↓ Motoru derhal durdurun	Kesici ünitesinin açısı yanlıştır	Açı kilidinin tam olarak oturduğundan emin olun.
	Kesici bıçak tespit somunu gevşemiştir	Sağlam şekilde sıkın
	Kesici bıçaklara ince dallar takılmıştır.	Yabancı maddeyi temizleyin
	Tahrik sistemi normal çalışmıyordu	Kontrol ve bakım talebinde bulunun.
Ana ünite aşırı titreşim yapıyor ↓ Motoru derhal durdurun	Kesici bıçaklar kırılmış, eğilmiş veya aşınmıştır	Kesici bıçakları değiştirin
	Kesici bıçak tespit somunu gevşemiştir	Sağlam şekilde sıkın
	Tahrik sistemi normal çalışmıyordu	Kontrol ve bakım talebinde bulunun.
Kesici bıçaklar hemen dönmeye başlamıyor ↓ Motoru derhal durdurun	Rölanti hızı yüksektir	Ayarlayın
	Kısma teli çıkmıştır	Sağlam şekilde takın
	Tahrik sistemi normal çalışmıyordu	Kontrol ve bakım talebinde bulunun.
Motor durmuyor ↓ Motoru rölantide çalıştırın ve jikle kolunu "H" konumuna getirin	Konektör çıkmıştır	Sağlam şekilde takın
	Elektrik sistemi normal çalışmıyordu	Kontrol ve bakım talebinde bulunun.

Isıtma çalıştırması gerçekleştirildikten sonra, motor çalışmıyorsa:

Kontrol edilen parçalarda herhangi bir anormal durum tespit edilmezse, kısma mandalını yaklaşık 1/3 tur açın ve motoru çalıştırın.





**Makita Europe N.V.** Jan-Baptist Vinkstraat 2,  
3070 Kortenberg, Belgium

**Makita Corporation** 3-11-8, Sumiyoshi-cho,  
Anjo, Aichi 446-8502 Japan